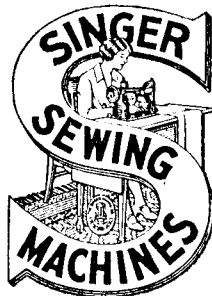


SINGER

99W75

From the library of: Diamond Needle Corp

LIST OF PARTS



MACHINE No. 99w75

THE SINGER MANUFACTURING COMPANY

INDEX

	PAGE
ACCESSORIES	42
BUTTONHOLE CORDING DEVICE	50
" CUTTING BLOCKS	49
" " KNIVES	49
COUNTER SHAFT DRIVING PULLEYS	51
DRIVING EQUIPMENT	44
MACHINE No. 99w75	7
NUMERICAL LIST OF PARTS	65
OBSOLETE PARTS	61
PATTERN WHEEL CABINET	60
" WHEELS	53
SHAFT PULLEYS	51
SINGER KNIFE TRUEING FIXTURE	60
THREAD LUBRICATING CUP	60
" UNWINDER	43

From the library of: Diamond Needle Corp

Instructions for Ordering

In ordering from this list, use **ONLY** the **PART** number in the **FIRST** column.

The number stamped on a Sewing Machine Part is the number of the Single Part only, except when the part includes Set Screws, Clamping Screws, Studs and Rollers Spun on, Small Wires riveted, or Parts soldered together, etc., which it is necessary to furnish in combination.

Every combination of parts sent out has its specific number which, although not stamped on Parts (except in above cases) must be used when ordering the combination.

Each number always indicates the **SAME PART** in whatever list it appears, or for whatever Machine.

The letters after some of the numbers indicate the style of finish only, as follows:

- A. Hardened, Polished and Plated.
- B. Polished and Plated.
- C. Hardened only.
- D. Polished only.
- E. Soft, not polished.
- F. Hardened and Polished.
- H. Blued.

These letters **MUST BE USED** when they appear in the list and **AFTER** the number, as in the list.

In this series

- 1 to 1500 and 200001 to 201500 are Screw Numbers.
- 1501 to 1800 and 201501 to 201800 are Nut Numbers.
- 1801 to 2000 and 201801 to 202000 are Roller Numbers.
- 2001 to 50000, 202001 and upwards are Numbers of Machine Parts.

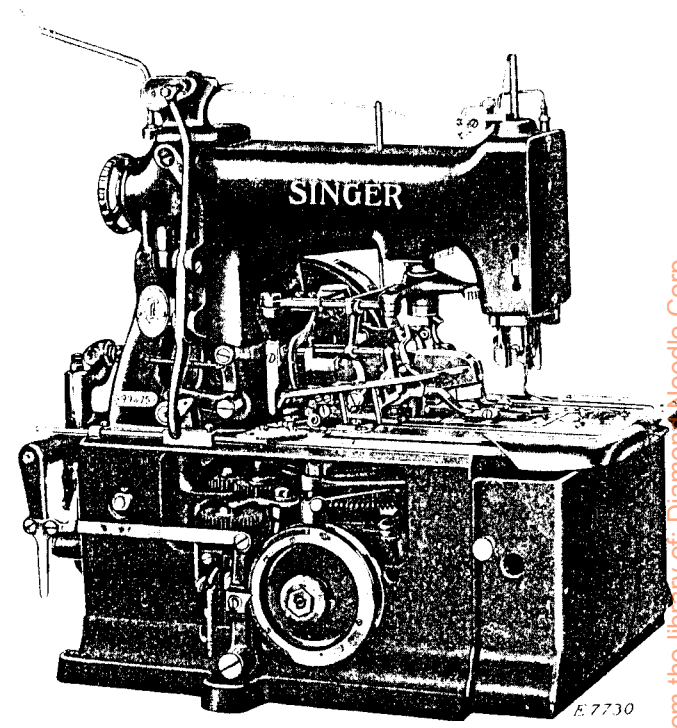
The figures in the second column refer only to the plate in which the illustration of the part is shown and are **NOT TO BE USED** in ordering.

Two or more numbers over a cut indicate that the difference between such parts is not visible in an illustration.

Parts marked with an asterisk (*) are furnished only when repairs are made at the factory.

LIST OF PARTS COMPLETE

FOR



From the library of: Diamond Needle Corp

MACHINE No. 99w75

Automatic Eyelet End Buttonhole Machine, for Clothing. Makes buttonholes from $\frac{5}{8}$ to $1\frac{1}{2}$ in. long; also straight lapel buttonholes.

Cuts the hole after stitching

No.	Plate	Name
*250001	—	Arm
204235	13811	" Position Pin (2)
200020E	13811	" Screw (4)
232488	13749	" Shaft
232489	13946	" " Bevel Gear (order Position Screw or Set Screw as required)

No.	Plate	Name
232244	13811	Arm Shaft Bevel Gear Position Pin
350223E	13946	" " " " " Screw
453E	13864	" " " " " Set Screw..
232002	13749	" " Bushing (back) with 202260
232490	13749	Arm Shaft Bushing (front) with 202260
202260	—	Arm Shaft Bushing Oil Packing (wick)
200100E	13811	Arm Shaft Bushing Screw (4) ...
232003	13749	" " Hand Wheel with two 200341c
200341c	13946	Arm Shaft Hand Wheel Set Screw
150D	13946	" " Screw
250002	13749	" Side Cover
200110D	13811	" " " Screw (2)
*250003	—	Bed with 250078, 255509 to 255512, two each 127D, 40025 and eight 1094E
250009	—	Bed End Cover
232025	13811	" " " Catch (2)
232026	13811	" " " " Position Pin (2)
250010	13811	" " " " Releaser (2)..
204264	13811	" " " " " Stop Pin (2)
200047D	13811	Bed End Cover Catch Screw (2) ..
201531E	13946	" " " " " Nut (2)
250011	13811	" " " Support (left)
250012	13811	" " " " (right)
457c	13811	" " " " Set Screw (2)
250013	—	" Extension
250397	13811	" " Position Pin (2)
134D	13811	" " Screw (4)
250014	13751	" Shaft
255521	13932	" " Bevel Gear with two 453c
232719	13946	" " " " Position Pin (2)
453c	13864	Bed Shaft Bevel Gear Set Screw ..
232030	13749	" " Bushing (back) with 202260
202260	—	Bed Shaft Bushing (back) Oil Packing (wick)
232821	13811	Bed Shaft Bushing (back) Oil Tube (brass)
230795	13811	Bed Shaft Bushing (back) Oil Tube Pin
200100E	13811	Bed Shaft Bushing (back) Screw (2)

No.	Plate	Name
250015	13749	Bed Shaft Bushing (front)
255527	13932	" " " " Oil Tube
250451	13946	" " " " " "
330D	13946	Bracket
232244	13811	Bed Shaft Bushing (front) Oil Tube Bracket Screw
200100E	13811	Bed Shaft Bushing (front) Posi- tion Pin
250017	13946	Bed Shaft Bushing (front) Screw (2)
1258E	13946	Bed Shaft Collar with two 1258E (2)
232725	13811	" " " Set Screw
9D	13811	Belt Guard
255049	13946	" " Screw
350111c	13946	Buttonhole Cutting Block (steel), 1 in. (eye or taper bar)
250468	13946	Buttonhole Cutting Block Pinch Screw
1281E	13946	Buttonhole Cutting Block Pinch Screw Washer
250020	13818	Buttonhole Cutting Block Stop Screw
40025	13864	Buttonhole Cutting Carrier Cam with 200364c
200364c	13946	Buttonhole Cutting Carrier Cam Position Pin
250021	13818	Buttonhole Cutting Carrier Cam Set Screw
50031c	13946	Buttonhole Cutting Carrier Cam with 990D, 201366c, 201524E and 201892
1698c	13847	Buttonhole Cutting Carrier Cam Adjusting Screw Stud
39541	13864	Buttonhole Cutting Carrier Cam Adjusting Screw Stud Nut
250022	13946	Buttonhole Cutting Carrier Cam Adjusting Screw Stud Washer
201892	13946	Buttonhole Cutting Carrier Cam Adjusting Screw Stud Sleeve ..
990D	13946	Buttonhole Cutting Carrier Cam Adjusting Screw Stud Sleeve ..
201366c	13946	Buttonhole Cutting Carrier Cam Adjusting Screw Stud Sleeve ..
201524E	13946	Buttonhole Cutting Carrier Cam Adjusting Screw Stud Sleeve ..
232038	13947	Buttonhole Cutting Carrier Cam Adjusting Screw Stud Sleeve ..
232038	13947	Buttonhole Cutting Carrier Cam Slide Block

No.	Plate	Name
250023	13946	Buttonhole Cutting Disengaging Lever
350233C	13946	Buttonhole Cutting Disengaging Lever Hinge Screw
203213	13936	Buttonhole Cutting Disengaging Lever Spring
250592	13947	Buttonhole Cutting Disengaging Push Rod
2273	13947	Buttonhole Cutting Disengaging Push Rod Pin
250290	13818	Buttonhole Cutting Driving Wheel with 446E
232043	13947	Buttonhole Cutting Driving Wheel Lock
232044	13947	Buttonhole Cutting Driving Wheel Lock Spring
200051E	13947	Buttonhole Cutting Driving Wheel Lock Spring Screw
228026	13947	Buttonhole Cutting Driving Wheel Lock Spring Screw Washer
232724	13947	Buttonhole Cutting Driving Wheel Lock Stop Plate
1094E	13947	Buttonhole Cutting Driving Wheel Lock Stop Plate Screw (2)
232150	13806	Buttonhole Cutting Driving Wheel Position Pin
446E	13947	Buttonhole Cutting Driving Wheel Set Screw
250467	13946	Buttonhole Cutting Knife (.100 x .180 eye)
250027	—	Buttonhole Cutting Knife Adjusting Block
1100D	13947	Buttonhole Cutting Knife Adjusting Block Screw
250474	13947	Buttonhole Cutting Knife Base Plate
201474E	13947	Buttonhole Cutting Knife Base Plate Adjusting Screw (2)
1454E	13806	Buttonhole Cutting Knife Base Plate Screw
250475	13947	Buttonhole Cutting Knife Clamping Lever
350114C	13947	Buttonhole Cutting Knife Clamping Lever Hinge Screw
250030	13885	Buttonhole Cutting Knife Clamping Plate
250031	13751	Buttonhole Cutting Lever (lower)
251267	13815	" " " 250031 with 251269 and 251270

No.	Plate	Name
250032	13815	Buttonhole Cutting Lever (lower) Cam with 453c
40025	13864	Buttonhole Cutting Lever (lower) Cam Position Pin
453C	13864	Buttonhole Cutting Lever (lower) Cam Set Screw
250033	13815	Buttonhole Cutting Lever (upper) with 232482, 250468, 350111c and two 232483
251271	13815	Buttonhole Cutting Lever (upper) Cam with 453c
40025	13864	Buttonhole Cutting Lever (upper) Cam Position Pin
453C	13864	Buttonhole Cutting Lever (upper) Cam Set Screw
250464	13815	Buttonhole Cutting Lever Bracket with 200089D
250465	13815	Buttonhole Cutting Lever Bracket Arm
50027E	13815	Buttonhole Cutting Lever Bracket Arm Screw
250530	—	Buttonhole Cutting Lever Bracket complete. Nos. 250464, 250465 and two 50027E
250036	13885	Buttonhole Cutting Lever Bracket Gib (left)
250037	13885	Buttonhole Cutting Lever Bracket Gib (right)
232380	13885	Buttonhole Cutting Lever Bracket Gib Adjusting Plate (2)
219E	13856	Buttonhole Cutting Lever Bracket Gib Adjusting Plate Screw (4)
206482	13885	Buttonhole Cutting Lever Bracket Gib Adjusting Plate Screw Washer (4)
201176E	13901	Buttonhole Cutting Lever Bracket Gib Screw (6)
250038	13754	Buttonhole Cutting Lever Hinge Stud
200089D	13806	Buttonhole Cutting Lever Hinge Stud Set Screw
251268	13885	Buttonhole Cutting Lever Spring
251269	13885	" " " " Bracket (lower)
251270	13885	Buttonhole Cutting Lever Spring Bracket (lower) Pin
232482	13754	Buttonhole Cutting Lever Spring Bracket (upper)
232483	13754	Buttonhole Cutting Lever Spring Bracket (upper) Pin

No.	Plate	Name
250039	13754	Buttonhole Cutting Pressure Wedge with 232056
*201155D	—	Buttonhole Cutting Pressure Wedge Adjusting Screw
250538	13947	Buttonhole Cutting Pressure Wedge Adjusting Screw 201155D with 2273, 201672E, 232054 and 232055
232054	13754	Buttonhole Cutting Pressure Wedge Adjusting Screw Collar
232055	13754	Buttonhole Cutting Pressure Wedge Adjusting Screw Collar Position Pin
232466	13754	Buttonhole Cutting Pressure Wedge Adjusting Screw Lock Spring ..
662D	13754	Buttonhole Cutting Pressure Wedge Adjusting Screw Lock Spring Screw
201672E	13754	Buttonhole Cutting Pressure Wedge Adjusting Screw Nut
2273	13947	Buttonhole Cutting Pressure Wedge Adjusting Screw Nut Pin
232056	13754	Buttonhole Cutting Pressure Wedge Boss
232057	13947	Buttonhole Cutting Pressure Wedge Post with 662D and 232466
200122H	13754	Buttonhole Cutting Pressure Wedge Post Screw
250040	13815	Buttonhole Cutting Shaft
232383	13815	“ “ Hand Crank with 201484C
201468H	13785	Buttonhole Cutting Shaft Hand Crank Cap Screw
201484C	13785	Buttonhole Cutting Shaft Hand Crank Position Screw
203172	13947	Buttonhole Cutting Shaft Hand Crank Washer
255019	—	Buttonhole Cutting Shaft Pulley (loose) with 255021, two each 172D, 210750 and eight 232817 ..
232513	13754	Buttonhole Cutting Shaft Pulley Bushing
232817	13947	Buttonhole Cutting Shaft Pulley Stud
255020	13933	Buttonhole Cutting Shaft Pulley complete, Nos. 255019, two each 255022, 255023 and 350198F
250042	13815	Buttonhole Cutting Starting Lever with 201085C
232718	13815	Buttonhole Cutting Starting Lever Hinge Stud

No.	Plate	Name
200530E	13947	Buttonhole Cutting Starting Lever Hinge Stud Set Screw
232064	13754	Buttonhole Cutting Starting Lever Latch
350148D	13947	Buttonhole Cutting Starting Lever Latch Hinge Screw
201531E	13946	Buttonhole Cutting Starting Lever Latch Hinge Hinge Screw Nut..
232065	13754	Buttonhole Cutting Starting Lever Latch Spring
201218E	13754	Buttonhole Cutting Starting Lever Latch Spring Screw Stud (2) ..
200E	13846	Buttonhole Cutting Starting Lever Latch Stop Screw
250043	13756	Buttonhole Cutting Starting Lever Plate
200577H	13756	Buttonhole Cutting Starting Lever Plate Screw (2)
201085C	13756	Buttonhole Cutting Starting Lever Restoring Screw Stud
250456	13947	Buttonhole Cutting Starting Lever Safety Plate
208E	13903	Buttonhole Cutting Starting Lever Safety Plate Screw (2)
250044	13756	Buttonhole Cutting Starting Lever Spring
350105E	13949	Buttonhole Cutting Starting Lever Spring Screw Stud
250045	13756	Buttonhole Cutting Trip Lever with 460C
250046	13756	Buttonhole Cutting Trip Lever Bracket
232154	13949	Buttonhole Cutting Trip Lever Bracket Position Pin (2)
161D	13756	Buttonhole Cutting Trip Lever Bracket Screw (2)
2049	13756	Buttonhole Cutting Trip Lever Position Pin
250047	13756	Buttonhole Cutting Trip Lever Safety Lever with 237F
232343	13756	Buttonhole Cutting Trip Lever Safety Lever Position Pin
237F	13756	Buttonhole Cutting Trip Lever Safety Lever Set Screw
460C	13756	Buttonhole Cutting Trip Lever Set Screw
250048	13756	Buttonhole Cutting Trip Lever Shaft
250049	13756	Buttonhole Cutting Trip Lever Spring

No.	Plate	Name
201432c	13756	Buttonhole Cutting Trip Screw Stud
1521E	13756	Buttonhole Cutting Trip Screw Stud Nut
255062	13949	Buttonhole Cutting Trip Screw Stud Shim (.010 in. thick)
255063	13949	Buttonhole Cutting Trip Screw Stud Shim (.025 in. thick)
250050	13834	Driving Wheel (loose)
232110	13834	" " with 200395c and two 232113
232112	13834	Driving Wheel Friction Gib
232113	13834	" " " " Position Pin
8873	13949	Driving Wheel Position Pin
200395c	13949	" " Set Screw
251024	13932	" " Stop Cam
251025	13932	" " " " Position Collar with 1036c
1036c	13949	Driving Wheel Stop Cam Position Collar Set Screw
250417	13806	Driving Wheel Stop Cam Spring
200096D	13864	" " " " " " Position Screw
232520	13948	Face Plate
641D	13811	" " Screw (2)
232521	13949	Feed Adjusting Gear
250052	13758	" " " Bracket
250053	13758	" " " " Clamping Post
690D	13899	Feed Adjusting Gear Bracket Clamping Post Screw (2)
350113c	13899	Feed Adjusting Gear Bracket Clamping Screw
250473	13899	Feed Adjusting Gear Bracket Clamping Screw Washer
201428c	13785	Feed Adjusting Gear Screw Stud
1518J	13899	" " " " " Nut
250054	13758	Feed Driving Gear (intermediate) with 457c
232721	13899	Feed Driving Gear (intermediate) Position Pin
457c	13811	Feed Driving Gear (intermediate) Set Screw
250055	13899	Feed Driving Gear (intermediate) Shaft

No.	Plate	Name
250056	13751	Feed Wheel with three 232382
250057	13825	" " Driving Pawl (3)
201385c	13825	" " " " Hinge Screw (3)
250058	13825	Feed Wheel Driving Pawl Spring (3)
232382	13756	Feed Wheel Driving Pawl Spring Pin
1449H	13825	Feed Wheel Driving Pawl Spring Screw (3)
350071E	13785	Feed Wheel Friction Ring Adjusting Screw
201522E	13825	Feed Wheel Friction Ring Adjusting Screw Lock Nut
232131	13759	Feed Wheel Friction Ring Adjusting Screw Washer (2)
250059	13758	Feed Wheel Friction Ring Bracket
200070c	13825	" " " " " " Screw (2)
250060	13758	Feed Wheel Friction Ring Section (long)
250061	13758	Feed Wheel Friction Ring Section (short)
232135	13759	Feed Wheel Friction Ring Spring
232532	13751	" " Ring
250062	13759	" " " Gib (3)
209F	13825	" " " " Screw (6) ..
201362c	13825	" " Screw Stud
250418	13805	Finger Starting Lever with 250435 and 250436
250419	13805	Finger Starting Lever Hinge Block
350080D	13805	" " " " " " Hinge Screw
250420	13805	Finger Starting Lever (intermediate)
255080	13950	Finger Starting Lever (intermediate) Bracket with 208E and 991c
208E	13903	Finger Starting Lever (intermediate) Bracket Pinch Screw
158E	13865	Finger Starting Lever (intermediate) Bracket Screw
72D	13805	Finger Starting Lever (intermediate) Hinge Screw
646F	13805	Finger Starting Lever (intermediate) Operating Stud
251292	13949	Finger Starting Lever (intermediate) Operating Stud Collar with 646F

No.	Plate	Name
2273	13947	Finger Starting Lever (intermediate) Operating Stud Collar Position Pin
200097C	13805	Finger Starting Lever Screw
228026	13947	" " " " Washer
251518	13949	" " " Spring
250435	13805	" " " Stud (back).
250436	13805	" " " " (front)
232539	13759	Intermittent Feed Driving Wheel with two 465c
*250395	—	Intermittent Feed Driving Wheel Bracket
232244	13811	Intermittent Feed Driving Wheel Bracket Position Pin (2)
129E	13759	Intermittent Feed Driving Wheel Bracket Screw (4)
250589	13949	Intermittent Feed Driving Wheel Driving Stud
204648	13759	Intermittent Feed Driving Wheel Driving Stud Position Pin
232541	13759	Intermittent Feed Driving Wheel Position Pin
465c	13759	Intermittent Feed Driving Wheel Set Screw
232542	13899	Intermittent Feed Driving Wheel Shaft
250063	13759	Intermittent Feed Driving Wheel Shaft Gear with 465c
232721	13899	Intermittent Feed Driving Wheel Shaft Gear Position Pin
465c	13759	Intermittent Feed Driving Wheel Shaft Gear Set Screw
250064	13900	Loop Retainer (left)
250065	13900	" " " Carrier
251153	13900	" " (right)
250067	13900	" " " Carrier
250068	13900	" " Adjusting Block (2)..
255055	13950	" " Cam with 350223E ...
40025	13864	" " " Position Pin ...
350223E	13946	" " " Set Screw
250070	13900	" " Carrier Link (2) ...
201431C	13900	" " " " Screw (4)
250071	13900	" " " Shaft
735E	13900	" " " " Set Screw
250073	13900	" " Driving Bar
250410	13900	" " " " Collar with 200130F
* 200130F	13900	Loop Retainer Driving Bar Collar Pinch Screw

No.	Plate	Name
185H	13900	Loop Retainer Screw (2)
250491	13949	" " " Washer (2) ..
250074	13900	" " Shim (.005 in. thick)..
250449	13900	" " " (.010 in. thick)..
250450	13900	" " " (.020 in. thick)..
250537	13900	" " " (.030 in. thick)..
250075	13900	" " Slide with 201943
250076	13900	" " " Gib (lower) (2)..
250077	13900	" " " " (upper) (2)..
190D	13785	" " " " Screw (6) ...
*250078	—	" " " Guide Extension
40025	13864	" " " " " " Position Pin (2)
127D	13900	Loop Retainer Slide Guide Extension Screw (2)
201896	13900	Loop Retainer Slide Roller
201943	—	" " " " " 201896 with 250429
250429	13806	Loop Retainer Slide Roller Stud ..
253472	13901	Looper (non threaded)
250080	13901	" (threaded)
250081	13758	" Bracket with 735E
201658c	13901	" " Adjusting Nut
201659c	13901	" " " " Locking Nut
23421	—	Looper Bracket Dogging Hole Plug
250082	13842	" " Frame Chip Guard
401D	13901	" " " " " Screw (2)
232555	13949	Looper Bracket Rotating Gear with 906E
250084	13949	Looper Bracket Rotating Gear Position Pin
906E	13949	Looper Bracket Rotating Gear Set Screw
250085	13901	Looper Carrier
201433C	13901	" " Hinge Screw
250086	13901	" " Link
201099C	13901	" " " Hinge Screw (2)
250087	13901	" Driving Bar
250088	13901	" " Connection with 1120c, 250471 and two 233D
250471	13901	Looper Driving Connection Plate
233D	13901	" " " " " Screw
1120C	13901	Looper Driving Connection Set Screw
250089	13901	Looper Driving Connection Slide Rod

No.	Plate	Name
250090	13901	Looper Driving Connection Slide Rod Bushing (lower)
250091	13901	Looper Driving Connection Slide Rod Bushing (upper)
250092	13901	Looper Driving Crank
250446	13901	" " " Bushing
201176E	13901	" " " " Screw (2)
250094	13762	Looper Driving Crank Gear with 735E
250095	13762	Looper Driving Crank Gear Position Pin
735E	13900	Looper Driving Crank Gear Set Screw
250096	13762	Looper Driving Crank Link
199C	13762	" " " " Cap Screw
350278C	13949	Looper Driving Crank Link Hinge Screw
250097	13762	Looper Driving Disc
255035	—	" " " 250097 with 201435C and 201704E
201435C	13762	Looper Driving Disc Screw Stud
201704E	13949	" " " " " Nut
250098	13762	Looper Driving Gear
176D	13762	" " " Screw (3) ..
201898	13762	" " Roller
201953	—	" " " 201898 with 201144E and 250099 (2)
201144E	13825	Looper Driving Roller Cap Screw
250099	13762	" " " Stud
*250100	—	" Frame
250462	13949	" " Chip Guard
232866	13949	" " Position Pin (2)
201082E	13762	" " Screw (3)
190E	13785	" Screw (2)
250101	13762	" " Washer (2)
232270	13762	" Thread and Cord Clamping Spring (long)
232271	13762	Looper Thread and Cord Clamping Spring (short)
200186B	13762	Looper Thread and Cord Clamping Spring Screw
232272	13762	Looper Thread and Cord Cutter
200186B	13762	" " " " " Screw
250425	13806	Looper Thread Controlling Cam
236D	13949	" " " " " Screw (2)

No.	Plate	Name
250426	13806	Looper Thread Controlling Lever with 201979
250427	13806	Looper Thread Controlling Lever Bracket
183E	13891	Looper Thread Controlling Lever Bracket Screw (2)
50061C	13806	Looper Thread Controlling Lever Hinge Screw
201979	13949	Looper Thread Controlling Lever Roller and Stud
250428	13806	Looper Thread Controlling Lever Spring
1120C	13901	Looper Thread Controlling Lever Spring Screw
253513	13949	Looper Thread Controlling Spring
253488	13949	" " " " " Stop
219E	13856	Looper Thread Controlling Spring Stop Screw
18859	13949	Looper Thread Guide
250102	13949	" " Leader
1423F	13949	" " " Screw
32012	13949	" " Tension Disc (2) ...
253530	13949	" " " Releaser
1550J	13891	" " " " " Nut
7071	13856	" " " " " Washer
253531	13932	Looper Thread Tension Releaser Lever
350224D	13934	Looper Thread Tension Releaser Lever Hinge Screw
251170	13856	Looper Thread Tension Releaser Lever Spring
253532	13933	Looper Thread Tension Releaser Lever Rod
253535	13932	Looper Thread Tension Releaser Lever Rod Collar with 237F (2) ..
237F	13756	Looper Thread Tension Releaser Lever Rod Collar Set Screw
253533	13932	Looper Thread Tension Releaser Operating Lever with 237F
237F	13756	Looper Thread Tension Releaser Operating Lever Set Screw
253534	13932	Looper Thread Tension Releaser Operating Cam Block with 219F
219F	13856	Looper Thread Tension Releaser Operating Cam Block Set Screw

No.	Plate	Name
232515	13951	Looper Thread Tension Spring ...
1043c	13951	" " " Stud
171d	13951	" " " " Set Screw
1560c	13846	" " " Thumb Nut
232516	13948	" " Tube (brass)
232517	13952	" " " Bracket (2) ...
190d	13785	" " " " Screw (2)
251152	13952	Lower Cord Leader
185H	13900	" " " Screw
250444	13951	" " " Washer ..
32012	13949	" " Tension Disc (2)
232515	13951	" " " Spring
637c	13934	" " " Stud
1560c	13846	" " " Thumb Nut ...
232516	13948	" " Tube (brass)
250451	13946	" " " Bracket (2)
250105	13903	Needle Bar Driving Crank with 200394c and two 200382c
40025	13864	Needle Bar Driving Crank Position Pin
200394c	13903	Needle Bar Driving Crank Set Screw
250106	13903	Needle Driving Bar
232177	13903	" " " Bushing
232176	13903	" " " Collar with 200083E
200083E	13847	Needle Driving Bar Collar Pinch Screw
232178	13903	Needle Driving Bar Link
232709	13903	" " " " Hinge Stud with 222598
222598	—	Needle Driving Bar Link Hinge Stud Oil Packing (wick)
200382c	13903	Needle Driving Bar Link Hinge Stud Set Screw
250108	13903	Needle Driving Bar Swivel with 210933
210933	—	Needle Driving Bar Swivel Oil Packing (wick)
255072	13934	Needle Guard
230E	13934	" " Screw
233d	13901	" " " (support end)..
255073	13934	" " Support
251214	13903	" Holder with 904E
250111	13951	" " Gauge Plate
201482d	13785	" " " " Adjusting Screw
250112	13903	Needle Holder Gauge Plate Block
201670c	13903	" " " " " "
		Adjusting Nut

No.	Plate	Name
201670c	13903	Needle Holder Gauge Plate Block Adjusting Nut Lock Nut
200124H	13903	Needle Holder Gauge Plate Screw (2)
208E	13903	Needle Holder Screw
255074	13951	" " Slide
250114	13903	" " " Lever with 255056
201434c	13903	Needle Holder Slide Lever Hinge Screw
255056	13934	Needle Holder Slide Lever Pin
250115	13903	" " " " Stud
208E	13903	" " " " " Screw
250116	13903	" " " " " "
		Washer
251155	13903	Needle Holder Slide Spring
201225c	13903	" " " Stud
250117	13951	" Rotating Gear with 735E
250118	13951	" " " Key
735E	13900	" " " Set Screw ...
904E	13903	" Set Screw
253629	13934	" Thread Controller
1520J	13856	" " " Nut
255004	13934	" " " Spring
255005	—	" " " " Bracket with 171E
255067	13934	Needle Thread Controller Spring Bracket 255005 with 231c, 252081, 255004, 255006 and 255007
18587	13934	Needle Thread Controller Spring Bracket Position Pin
202F	13934	Needle Thread Controller Spring Bracket Screw
255006	13934	Needle Thread Controller Spring Stop
231c	13826	Needle Thread Controller Spring Stop Adjusting Screw
255007	13934	Needle Thread Controller Spring Thread Guide
252081	13934	Needle Thread Controller Stud ...
171E	13951	" " " " Set Screw
10145	13934	Needle Thread Guide
250119	13934	" " "
232792	13932	" " Leader
1664E	13951	" " " Nut
10106	13934	" " Retainer Disc
252081	13934	" " " Stud
39713	13934	" " " Spring

No.	Plate	Name
996E	13934	Needle Thread Retainer Spring Screw Stud
171E	13951	Needle Thread Retainer Stud Set Screw
252082	13934	Needle Thread Retainer Tension Disc
252083	13932	Needle Thread Tension Bracket
159D	13934	" " " " Screw (2)
32012	13949	Needle Thread Tension Disc (2) ..
154c	13936	" " " " Releasing Adjusting Screw
1550J	13891	Needle Thread Tension Releasing Adjusting Screw Nut
255122	13936	Needle Thread Tension Releasing Block with 200E
200E	13846	Needle Thread Tension Releasing Block Set Screw
240D	13936	Needle Thread Tension Releasing Block Stop Screw
32572	13846	Needle Thread Tension Releasing Disc
255009	13933	Needle Thread Tension Releasing Lever
255010	13933	Needle Thread Tension Releasing Lever Bracket
200346c	13936	Needle Thread Tension Releasing Lever Bracket Adjusting Screw
145E	13769	Needle Thread Tension Releasing Lever Bracket Screw (lower) ..
200062H	13754	Needle Thread Tension Releasing Lever Bracket Screw (upper) ..
35D	13936	Needle Thread Tension Releasing Lever Hinge Screw
255011	13936	Needle Thread Tension Releasing Lever Spring
39635	13846	Needle Thread Tension Releasing Pin
255013	13935	Needle Thread Tension Releasing Rod
255014	13936	Needle Thread Tension Releasing Rod Bracket
190D	13785	Needle Thread Tension Releasing Rod Bracket Screw (2)
255015	13936	Needle Thread Tension Releasing Rod Plate
792D	13936	Needle Thread Tension Releasing Rod Plate Screw (2)
208E	13903	Needle Thread Tension Releasing Rod Screw

No.	Plate	Name
13710	13846	Needle Thread Tension Spring
1388c	13846	" " " Stud
1560c	13846	" " " Thumb Nut..
250140	13848	" Vibrating Adjusting Link
741c	13847	" " " "
		Hinge Screw
350076c	13951	Needle Vibrating Adjusting Stud
1671c	13847	" " " "
		Nut
39532	13847	Needle Vibrating Adjusting Stud Sleeve
250141	13848	Needle Vibrating Bell Crank
250142	13848	" " " " Connec- tion
*38444	—	Needle Vibrating Bell Crank Con- nection End Bearing (back)
38446	13847	Needle Vibrating Bell Crank Con- nection End Bearing 38444 with 42524, 50016c and two 175E
50016c	13847	Needle Vibrating Bell Crank Con- nection End Bearing (back) Ball Screw Stud
1636E	13847	Needle Vibrating Bell Crank Con- nection End Bearing (back) Ball Screw Stud Nut
*1698c	13847	Needle Vibrating Bell Crank Con- nection End Bearing (back) Check Nut
*42524	—	Needle Vibrating Bell Crank Con- nection End Bearing (back) Cap
175E	13769	Needle Vibrating Bell Crank Con- nection End Bearing (back) Cap Screw
*38443	—	Needle Vibrating Bell Crank Con- nection End Bearing (front)
250143	13847	Needle Vibrating Bell Crank Con- nection End Bearing 38443 with 42525, 201449c and two 175E
201449c	13847	Needle Vibrating Bell Crank Con- nection End Bearing (front) Ball Screw
*42525	—	Needle Vibrating Bell Crank Con- nection End Bearing (front) Cap
175E	13769	Needle Vibrating Bell Crank Con- nection End Bearing (front) Cap Screw
1697c	13847	Needle Vibrating Bell Crank Con- nection End Bearing (front) Check Nut

No.	Plate	Name
45c	13847	Needle Vibrating Bell Crank Hinge Screw
250144	13848	Needle Vibrating Lever
255034	13936	" " " Hinge Stud
443c	13936	" " " " "
		Set Screw
232420	13769	Needle Vibrating Ring with 462c ..
232421	13769	" " " Guide Stud
200083E	13847	" " " " "
		Set Screw
232343	13756	Needle Vibrating Ring Position Pin
462c	13847	" " " Set Screw ..
250145	13769	" " Rod
250146	13769	" " " Guide with
		1230E
232343	13756	Needle Vibrating Rod Guide Position Pin
1230E	13951	Needle Vibrating Rod Guide Set Screw
250147	13769	Needle Vibrating Switch
200308c	13769	" " " Hinge Screw
251228	13948	Pattern Wheel, for 1 in. Eye Buttonhole (large and medium eye) ..
201668E	13769	Pattern Wheel Clamping Nut
250148	13769	" " Position Stud
250372	13769	" " Rapid Feed Trip Point
203E	13769	" " " " " "
		Screw
250382	13948	Pattern Wheel Ring
255028	—	" " " 250382 with
		211E, 250443 and 250444
250443	13952	Pattern Wheel Ring Adjusting Segment
211E	13951	Pattern Wheel Ring Adjusting Segment Screw
250444	13951	Pattern Wheel Ring Adjusting Segment Screw Washer
391D	13769	Pattern Wheel Ring Screw
251229	—	Pattern Wheel, for 1 in. Eye Buttonhole (large and medium eye), complete, Nos. 251228, 255028, two each 203E, 250372 and three 391D
250149	13770	Pattern Wheel Shaft with 250148..
250150	13770	" " " Bevel Gear
		with 168D
40025	13864	Pattern Wheel Shaft Bevel Gear Position Pin
168D	13951	Pattern Wheel Shaft Bevel Gear Set Screw

No.	Plate	Name
250151	13770	Pattern Wheel Shaft Bushing (left)
145E	13769	" " " " "
		Screw (2)
250152	13770	Pattern Wheel Shaft Bushing (right)
647E	13769	Pattern Wheel Shaft Bushing (right) Screw (2)
232600	13771	Pattern Wheel Shaft Collar with two 453c
453c	13864	Pattern Wheel Shaft Collar Set Screw
250154	13770	Rapid Feed Clutch Disengaging Lever (3)
253481	13935	Rapid Feed Clutch Disengaging Sleeve
250156	13770	Rapid Feed Clutch Driving Disc
1230c	13951	" " " " "
		Screw (4)
201897	13951	Rapid Feed Clutch Roller (3)
255095	13932	" " " " Carrier
		with 624E
40025	13864	Rapid Feed Clutch Roller Carrier Position Pin
624E	13951	Rapid Feed Clutch Roller Carrier Set Screw
250153	13770	Rapid Feed Clutch Roller Retainer (3)
208E	13903	Rapid Feed Clutch Roller Retainer Screw (3)
255096	13936	Rapid Feed Clutch Roller Spring (3)
255097	13936	Rapid Feed Clutch Roller Spring Guide Pin
250158	13950	Rapid Feed Crank Shaft
250159	13950	" " " " Bushing (back)
250160	13771	Rapid Feed Crank Shaft Bushing (back) Oil Tube (lower) (brass)
250495	13951	Rapid Feed Crank Shaft Bushing (back) Oil Tube (upper) (brass)
250161	13950	Rapid Feed Crank Shaft Bushing (front)
436c	13771	Rapid Feed Crank Shaft Bushing Set Screw (2)
232600	13771	Rapid Feed Crank Shaft Collar with two 453c
453c	13864	Rapid Feed Crank Shaft Collar Set Screw
250452	13852	Rapid Feed Crank Shaft Gear with 458c

No.	Plate	Name
1454E	13806	Rapid Feed Starting Lever Set Screw
250185	13775	Rapid Feed Starting Lever Shaft
250186	13774	" " " " "
		Collar (left) with 200113F
204197	13774	Rapid Feed Starting Lever Shaft
		Collar (right) with 200113F
200113F	13774	Rapid Feed Starting Lever Shaft
		Collar Set Screw
250409	13774	Rapid Feed Starting Lever Spring
1241E	13774	" " " " "
		Screw Eye
255054	13936	Rapid Feed Starting Lever Stud
704c	13951	" " " " "
		Set Screw
203213	13936	Rapid Feed Starting Lever Stud
		Spring
253537	13935	Rapid Feed Starting Pawl
250188	13774	" " " " Spring
201454E	13774	" " " " "
		Screw Eye
250189	13775	Rapid Feed Starting Trip Lever
		with 1454E
201445E	13854	Rapid Feed Starting Trip Lever
		Position Screw
201437c	13774	Rapid Feed Starting Trip Lever
		Screw Stud
1454E	13806	Rapid Feed Starting Trip Lever
		Set Screw
201446c	13774	Rapid Feed Stop Latch Hinge
		Screw Stud
250194	13774	Rapid Feed Stop Trip Lever
56c	13774	" " " " " Hinge
		Screw
251168	13856	Rapid Feed Tripping Pawl
350109c	13856	" " " " " Hinge
		Screw
251169	13856	Rapid Feed Tripping Pawl Lever
250432	13856	" " " " "
		Bracket
232154	13949	Rapid Feed Tripping Pawl Lever
		Bracket Position Pin (2)
350110c	13856	Rapid Feed Tripping Pawl Lever
		Bracket Screw
14017	13856	Rapid Feed Tripping Pawl Lever
		Bracket Screw Washer
72c	13805	Rapid Feed Tripping Pawl Lever
		Hinge Screw

No.	Plate	Name
232083	13937	Rapid Feed Tripping Pawl Spring
1241E	13774	" " " " "
		Screw Eye
1242E	13937	Rapid Feed Tripping Pawl Spring
		Screw Stud
250195	13775	Rapid Feed Worm with 453c
25362	-----	" " " Ball
250196	13775	" " " " Bearing Cap
225007	13774	" " " " Retainer
		with eight 25362
232244	13811	Rapid Feed Worm Position Pin ...
453c	13864	" " " Set Screw
250197	13775	" " " Wheel
250198	13775	" " " " Collar with
		two 453c
453c	13864	Rapid Feed Worm Wheel Collar
		Set Screw
202244	-----	Rapid Feed Worm Wheel Oil Pack-
		ing (wick)
250199	13775	Starting Bell Crank
3c	13774	" " " Hinge Screw ..
250200	13774	" Latch
648D	13774	" " Hinge Screw
250201	13774	" " Spring
203E	13769	" " " Screw
250202	13775	" Rod
250203	13774	" " Block with 203E
2273	13947	" " " Position Pin
203E	13769	" " " Set Screw
40043	13776	" " Collar with 209c (2) ..
209c	13825	" " " Set Screw
250204	13776	" " Lock
946D	13952	" " " Hinge Screw
250205	13776	" " " Spring
213D	13806	" " " " Screw
250206	13776	" " " " Washer
250207	13776	" " Safety Lock
38D	13776	" " " " Hinge Screw
226467	13776	" " " " " "
		Washer
250423	13805	Starting Rod Spring
201160E	13951	" " " Screw Eye
250210	-----	Stitch Regulating Gear, 22 teeth..
250211	-----	" " " " 26 teeth..
250212	13776	" " " " 28 teeth..
250598	-----	" " " " 30 teeth..
250213	13899	" " " " 33 teeth..

Note: No. 250213 is furnished with this Machine unless another Stitch Regulating Gear is specified on order.

No.	Plate	Name
250214	13899	Stitch Regulating Gear, 34 teeth..
250415	—	" " " 38 teeth..
250478	—	" " " 42 teeth..
201660c	13776	" " " Lock Nut
250215	13861	" Rotating Lever (lower) with 458c
201442E	13771	Stitch Rotating Lever (lower) Position Screw
201871	13776	Stitch Rotating Lever (lower) Roller
350066c	13776	Stitch Rotating Lever (lower) Roller Screw Stud
201666E	13785	Stitch Rotating Lever (lower) Roller Screw Stud Nut
458c	13771	Stitch Rotating Lever (lower) Set Screw
232591	13861	Stitch Rotating Lever (upper) with 448c
40025	13864	Stitch Rotating Lever (upper) Position Pin
448c	13874	Stitch Rotating Lever (upper) Set Screw
232807	13785	Stitch Rotating Lever Connection (front section) (lower)
232593	13776	Stitch Rotating Lever Connection (front section) (upper)
232808	13785	Stitch Rotating Lever Connection (rear section) (lower)
232592	13776	Stitch Rotating Lever Connection (rear section) (upper)
58F	13776	Stitch Rotating Lever Connection Hinge Screw (4)
172D	13785	Stitch Rotating Lever Connection Screw (lower)
193D	13776	Stitch Rotating Lever Connection Screw (upper)
39504	13785	Stitch Rotating Lever Connection Screw Washer (lower)
232717	13776	Stitch Rotating Lever Connection Screw Washer (upper)
232764	—	Stitch Rotating Lever Connection (lower) complete, Nos. 232807, 232808, two each 172D and 39504
250400	—	Stitch Rotating Lever Connection (upper) complete, Nos. 232592, 232593, 232717 and two 193D ...

No.	Plate	Name
250394	13861	Stitch Rotating Lever Rock Shaft
250216	13861	" " Sector (lower)
232597	13861	" " " " Bracket
690D	13899	" " " " "
		Screw
226163	13776	Stitch Rotating Sector (lower) Bracket Screw Washer
350087c	13776	Stitch Rotating Sector (lower) Hinge Screw
250217	13861	Stitch Rotating Sector (upper)
232599	13861	" " " "
		Bracket
201395D	13951	Stitch Rotating Sector (upper) Bracket Screw (2)
23414	13771	Stitch Rotating Sector (upper) Position Collar with two 453c ..
453c	13864	Stitch Rotating Sector (upper) Position Collar Set Screw
251026	13933	Stop Lever with 200352c
232262	13777	" " Bracket
350263E	13937	" " " Screw
250218	13777	" " Crank with 453c
40025	13864	" " " Position Pin
453c	13864	" " " Set Screw
232263	13864	" " Friction Pad (rawhide)
200110D	13811	" " " " Screw (2)
255523	13952	" " Interlocking Slide
201084c	13864	" " " " Adjust- ing Screw
201628E	13864	Stop Lever Interlocking Slide Ad- justing Screw Nut
1178D	13864	Stop Lever Interlocking Slide Screw
232265	13864	Stop Lever Interlocking Slide Screw Washer
250416	13864	Stop Lever Interlocking Slide Spring
250219	13777	Stop Lever Link
250220	13777	" " " Connection
250221	13864	" " " " Locking Pin
250222	13864	Stop Lever Link Connection Lock- ing Pin Spring
217D	13952	Stop Lever Link Connection Lock- ing Pin Spring Screw (2)
350225D	13937	Stop Lever Link Connection Screw (back)
807D	13864	Stop Lever Link Connection Screw (front)

No.	Plate	Name
64c	13762	Stop Lever Link Hinge Screw
250223	13777	" " Operating Lever
11c	13771	" " " " Hinge Screw
250224	13864	Stop Lever Operating Plate
157c	13864	" " " " Screw
39541	13864	" " " " " Washer
40025	13864	Stop Lever Position Pin
200352c	13864	" " Set Screw
250225	13777	" " Shaft
250404	13864	" " Spring
201110d	13864	" " " Screw
250448	13951	Throat Plate, for flat purl
250447	13951	" " Adjusting Block
176d	13762	" " Screw
250560	13937	" " " Washer
250590	13777	Vertical Shaft with two each 204648 and 250589
255522	13935	Vertical Shaft Bevel Gear (lower) with two 453c
232719	13946	Vertical Shaft Bevel Gear (lower) Position Pin
250227	13777	Vertical Shaft Bevel Gear (upper) (order Position Screw or Set Screw as required)
40025	13864	Vertical Shaft Bevel Gear (upper) Position Pin
350223E	13946	Vertical Shaft Bevel Gear Position Screw
453c	13864	Vertical Shaft Bevel Gear Set Screw
250396	13777	Vertical Shaft Bushing (lower)
200100E	13811	" " " " Screw (2)
232710	13777	Vertical Shaft Bushing (upper)
575c	13811	" " " " Set Screw
250523	13948	Work Clamp Arm (left)
250524	13948	" " " (right)
250525	13948	" " " Bracket (left)
255057	—	" " " " " 250525 with 250268, 250551, 250552, 253666 and three 2269
250526	13948	Work Clamp Arm Bracket (right)
255058	—	" " " " " 250526 with 250266, 250528, 250529, 253666 and three 2269
201129d	13937	Work Clamp Arm Bracket Screw (back) (4)

No.	Plate	Name
253666	13937	Work Clamp Arm Cam with 209F (2)
2269	13895	Work Clamp Arm Cam Position Pin (2)
209F	13825	Work Clamp Arm Cam Set Screw
250552	13937	" " " " Shaft (left)
250528	13937	" " " " " (right)
201237E	13937	" " " " Stop Screw
201537H	13937	" " " " " " Nut
252184	13937	Work Clamp Arm Hinge Block
350123E	13937	" " " " " Hinge Screw
200051E	13947	Work Clamp Arm Screw
13218	13937	" " " Spring
350136E	13937	" " " " Screw ...
253496	13948	" " Base (left) with 232304
255065	—	" " " " 253496 with 93H, 194C, 217E, 602E, 792D, 991E, 1443F, 1550J, 7071, 10249, 13218, 200051E, 200097C, 201237E, 201537H, 228026, 232306, 232311, 232312, 250236, 250239, 250241, 250418, 250419, 250523, 250558, 251518, 251519, 252184, 252202, 255003, 255016, 255057, 350080D, 350136E, two each 207F, 201121D, 201129D, 350123E and eight 934H
250236	13948	Work Clamp Base (left) Guard
934H	13952	" " " " " Screw
253497	13948	Work Clamp Base (right) with 232304
255066	—	Work Clamp Base (right) 253497 with 93H, 602E, 792D, 991E, 1443F, 1550J, 13218, 200051E, 201237E, 201537H, 232270 to 232272, 232306, 232311, 232312, 250238, 250240, 250242, 250275, 250524, 250559, 252184, 252202, 255003, 255016, 255058, 350136E, two each 200186B, 201121D, 201129D, 350123E, four 207F and eight 934H
250238	13948	Work Clamp Base (right) Guard
934H	13952	" " " " " Screw
250239	13948	Work Clamp Base Clamping Plate (left)
250240	13948	Work Clamp Base Clamping Plate (right)

No.	Plate	Name
934H	13952	Work Clamp Base Clamping Plate Screw
232304	13951	Work Clamp Base Hinge Stud
232678	13951	" " " Locking Spring (left)
232679	13951	Work Clamp Base Locking Spring (right)
792D	13936	Work Clamp Base Locking Spring Screw (2)
39541	13864	Work Clamp Base Locking Spring Screw Washer (2)
250439	13937	Work Clamp Base Retaining Stud
250241	13887	" " " Spring (left) ..
250242	13887	" " " " (right) ..
232306	13952	" " " " (front)
232311	13952	" " " " " "
		Catch
350215E	13951	Work Clamp Base Spring (front) Catch Stud (2)
93H	13951	Work Clamp Base Spring (front) Screw
1443F	13887	Work Clamp Base Spring Screw
201451E	13887	" " " " " "
		Stud (2)
232309	13952	Work Clamp Base Stop Block (2)..
232310	13887	" " " " " Posi- tion Pin (2)
201148H	13952	Work Clamp Base Stop Block Screw (2)
253502	13948	Work Clamp Carrier Base Plate with 250439
232462	13826	Work Clamp Carrier Base Plate Slide Rod
201643E	13825	Work Clamp Carrier Base Plate Slide Rod Nut
200119D	13937	Work Clamp Carrier Base Plate Slide Rod Set Screw
250244	13826	Work Clamp Carrier Feed Lever
350185C	13937	" " " " " "
		Hinge Screw
250245	13825	Work Clamp Carrier Feed Lever Link
250246	13825	Work Clamp Carrier Feed Lever Link Block
50168E	13825	Work Clamp Carrier Feed Lever Link Block Screw (2)
350070C	13785	Work Clamp Carrier Feed Lever Link Hinge Screw (block end)..
350216C	13937	Work Clamp Carrier Feed Lever Link Hinge Screw (lever end)..

No.	Plate	Name
201868	13825	Work Clamp Carrier Feed Lever Roller
201988	—	Work Clamp Carrier Feed Lever Roller 201868 with 255075 and 350072E
350072E	13785	Work Clamp Carrier Feed Lever Roller Cap Screw
255075	13937	Work Clamp Carrier Feed Lever Roller Stud
255076	13937	Work Clamp Carrier Feed Lever Roller Stud Washer
250248	13954	Work Clamp Carrier Side Throw Lever (lower section) with 201097C and 201530E
250249	13954	Work Clamp Carrier Side Throw Lever (upper section) with 201374E and 201937
250599	13937	Work Clamp Carrier Side Throw Lever Hinge Stud
250600	13937	Work Clamp Carrier Side Throw Lever Hinge Stud Collar with two 448C
448C	13874	Work Clamp Carrier Side Throw Lever Hinge Stud Collar Set Screw
435C	13885	Work Clamp Carrier Side Throw Lever Hinge Stud Set Screw ..
250250	13825	Work Clamp Carrier Side Throw Lever Lock Pin with 201940 and 350072E
201940	13825	Work Clamp Carrier Side Throw Lever Lock Pin Roller
350072E	13785	Work Clamp Carrier Side Throw Lever Lock Pin Roller Cap Screw
201430C	13825	Work Clamp Carrier Side Throw Lever Lock Pin Screw Stud
250251	13825	Work Clamp Carrier Side Throw Lever Lock Pin Spring
191C	13825	Work Clamp Carrier Side Throw Lever Lock Pin Spring Screw (2)
201873	13825	Work Clamp Carrier Side Throw Lever Roller
201937	13825	Work Clamp Carrier Side Throw Lever Roller 201873 with 201144E and 232686
201144E	13825	Work Clamp Carrier Side Throw Lever Roller Cap Screw
232686	13826	Work Clamp Carrier Side Throw Lever Roller Stud

From the library of: Diamond Needle Corp

No.	Plate	Name
201374E	13952	Work Clamp Carrier Side Throw Lever Roller Stud Cap Screw ..
232321	13826	Work Clamp Carrier Side Throw Lever Slide Block
250252	13826	Work Clamp Carrier Side Throw Lever Slide Block Guide
231c	13826	Work Clamp Carrier Side Throw Lever Slide Block Guide Screw (3)
201097c	13826	Work Clamp Carrier Side Throw Lever Slide Block Screw Stud
201530E	13826	Work Clamp Carrier Side Throw Lever Slide Block Screw Stud Nut
250253	13954	Work Clamp Carrier Slide (left) with 200119D
250254	13954	Work Clamp Carrier Slide (right) with 200119D
255082	13938	Work Clamp Carrier Slide adjusting Bracket with 255061 and two 208D
236D	13949	Work Clamp Carrier Slide Adjusting Bracket Screw (2)
208D	13903	Work Clamp Carrier Slide Adjusting Screw
255061	13938	Work Clamp Carrier Slide Adjusting Screw Locking Plate
255509	13938	Work Clamp Carrier Slide Gib (left, back)
255510	13938	Work Clamp Carrier Slide Gib (left, front)
255511	13938	Work Clamp Carrier Slide Gib (right, back)
255512	13938	Work Clamp Carrier Slide Gib (right, front)
1094E	13947	Work Clamp Carrier Slide Gib Screw
250255	13954	Work Clamp Carrier Slide Stay Plate
250597	13938	Work Clamp Carrier Slide Stay Plate Position Pin (2)
231c	13826	Work Clamp Carrier Slide Stay Plate Screw (5)
250558	13887	Work Clamp Check (left) with 1296E
250559	13887	Work Clamp Check (right) with 1296E

No.	Plate	Name
602E	13887	Work Clamp Check Screw
1296E	13912	" " " Stop Screw ...
252194	13823	" " Closing Lever
252196	13823	" " " Adjusting Arm with 201531H, 201948 and 228026
1178E	13864	Work Clamp Closing Lever Adjusting Arm Screw
14017	13856	Work Clamp Closing Lever Adjusting Arm Screw Washer
255021	13935	Work Clamp Closing Lever Cam Groove Protector
210750	13952	Work Clamp Closing Lever Cam Groove Protector Position Pin ..
172D	13785	Work Clamp Closing Lever Cam Groove Protector Screw
255022	13938	Work Clamp Closing Lever Cam Safety Latch
350198E	13938	Work Clamp Closing Lever Cam Safety Latch Hinge Screw
255023	13938	Work Clamp Closing Lever Cam Safety Latch Spring
250261	13891	Work Clamp Closing Lever Disengaging Block
183c	13891	Work Clamp Closing Lever Disengaging Block Screw
250406	13771	Work Clamp Closing Lever Disengaging Block Shim (.005 in. thick)
250407	13771	Work Clamp Closing Lever Disengaging Block Shim (.010 in. thick)
255068	13938	Work Clamp Closing Lever Engaging Stud
250263	13823	Work Clamp Closing Lever Engaging Stud Latch
250264	13891	Work Clamp Closing Lever Engaging Stud Latch Spring
1241E	13774	Work Clamp Closing Lever Engaging Stud Latch Spring Screw Eye
201956	13938	Work Clamp Closing Lever Engaging Stud Roller
255069	13938	Work Clamp Closing Lever Engaging Stud Roller Cap
350133E	13891	Work Clamp Closing Lever Engaging Stud Screw
250265	13891	Work Clamp Closing Lever Engaging Stud Spring
255070	—	Work Clamp Closing Lever Engaging Stud complete, Nos. 201956, 255068, 255069 and 350133E

No.	Plate	Name
250266	13887	Work Clamp Closing Lever (hand) with 209F
2269	13895	Work Clamp Closing Lever (hand) Position Pin
209F	13825	Work Clamp Closing Lever (hand) Set Screw
201438C	13891	Work Clamp Closing Lever Hinge Screw
201947	13891	Work Clamp Closing Lever Roller
201948	13891	" " " " "
		201947 with 350156E
350156E	13891	Work Clamp Closing Lever Roller Screw Stud
201531H	13946	Work Clamp Closing Lever Roller Screw Stud Nut
228026	13947	Work Clamp Closing Lever Roller Screw Stud Washer
250267	13891	Work Clamp Closing Lever Spring
1241E	13774	" " " " "
		Screw Eye (2)
991C	13891	Work Clamp Closing Lever Stop Screw
250268	13887	Work Clamp Connection Lever (left) with 209F
250529	13887	Work Clamp Connection Lever (right) with 209F
2269	13895	Work Clamp Connection Lever Position Pin (2)
209F	13825	Work Clamp Connection Lever Set Screw
250270	13950	Work Clamp Opening Bell Crank with 1819
659D	13895	Work Clamp Opening Bell Crank Hinge Screw
1819	13895	Work Clamp Opening Bell Crank Roller and Stud
232200	13895	Work Clamp Opening Bell Crank Spring
1241E	13774	Work Clamp Opening Bell Crank Spring Screw Eye
253680	13952	Work Clamp Opening Cam with 462c
12509	13952	Work Clamp Opening Cam Position Pin
462c	13847	Work Clamp Opening Cam Set Screw
250551	13895	Work Clamp Opening Lever with 1253c

No.	Plate	Name
251519	13939	Work Clamp Opening Lever Latch
253679	13950	" " " " "
		Releasing Bracket with 200E, 1547J and 350218c
200E	13846	Work Clamp Opening Lever Latch Releasing Bracket Set Screw ..
350218c	---	Work Clamp Opening Lever Latch Releasing Screw
1547J	---	Work Clamp Opening Lever Latch Releasing Screw Nut
10249	13939	Work Clamp Opening Lever Latch Spring
217E	13952	Work Clamp Opening Lever Latch Spring Screw
7071	13856	Work Clamp Opening Lever Latch Spring Screw Washer
194c	13774	Work Clamp Opening Lever Latch Stop Screw Stud
2269	13895	Work Clamp Opening Lever Position Pin
1253c	13895	Work Clamp Opening Lever Set Screw
255077	13939	Work Clamp Opening Rod
255078	13939	" " " " " Connec- tion
255079	---	Work Clamp Opening Rod complete, Nos. 203c, 1662c, 250287, 253679, 255077 and 255078
807D	13864	Work Clamp Opening Rod Connection Hinge Screw
250274	13895	Work Clamp Opening Rod Guide with 808D
808D	13895	Work Clamp Opening Rod Guide Pinch Screw
1662J	13939	Work Clamp Opening Rod Nut
250275	13895	" " " " Stop (adjust- able) (2)
207F	13895	Work Clamp Opening Stop Screw (2)
250276	13952	Work Clamp Spreader (left)
350140D	13952	" " " " " Screw
250277	13952	" " " (right)
201463D	13785	" " " " " Screw ..
991E	13891	" " " " Adjusting Screw
252202	13953	Work Clamp Spreader Adjusting Screw Bracket
207F	13895	Work Clamp Spreader Adjusting Screw Bracket Screw

No.	Plate	Name
1550J	13891	Work Clamp Spreader Adjusting Screw Nut
250279	13954	Work Clamp Spreader Base Plate
50058D	13785	" " " " " Screw (2)
253503	13952	Work Clamp Spreader Cam
253504	13952	" " " " Crank with 906c
2269	13895	Work Clamp Spreader Cam Crank Position Pin
906c	13949	Work Clamp Spreader Cam Crank Set Screw
253505	13953	Work Clamp Spreader Connection
253506	13953	" " " " " Bracket with 201981
1981	13953	Work Clamp Spreader Connection Bracket Roller
201981	13953	Work Clamp Spreader Connection Bracket Roller 1981 with 253524
253524	---	Work Clamp Spreader Connection Bracket Roller Stud
208E	13903	Work Clamp Spreader Connection Bracket Screw (2)
201453c	13953	Work Clamp Spreader Connection Hinge Screw
250281	13953	Work Clamp Spreader Connection Link (left)
253507	13953	Work Clamp Spreader Connection Link (right)
201452E	13785	Work Clamp Spreader Connection Link Hinge Screw (2)
253508	13953	Work Clamp Spreader Lever (front)
940F	13953	Work Clamp Spreader Lever (front) Hinge Screw
194c	13774	Work Clamp Spreader Lever (front) Screw Stud
253509	13953	Work Clamp Spreader Operating Fork Lever
212D	13825	Work Clamp Spreader Operating Fork Lever Cap Screw
253510	13950	Work Clamp Spreader Operating Fork Lever Connection
106c	13953	Work Clamp Spreader Operating Fork Lever Connection Hinge Screw (front)
99c	13953	Work Clamp Spreader Operating Fork Lever Connection Hinge Screw (rear)

No.	Plate	Name
350138E	13939	Work Clamp Spreader Operating Fork Lever Hinge Screw
255081	13939	Work Clamp Spreader Operating Fork Lever Stop Plate
203E	13769	Work Clamp Spreader Operating Fork Lever Stop Plate Screw ...
7071	13856	Work Clamp Spreader Operating Fork Lever Stop Plate Screw Washer
250285	13785	Work Clamp Spreader Operating Pawl
252512	13953	Work Clamp Spreader Operating Pawl Adjusting Block
176D	13762	Work Clamp Spreader Operating Pawl Adjusting Block Screw ..
7071	13856	Work Clamp Spreader Operating Pawl Adjusting Block Screw Washer
132E	13785	Work Clamp Spreader Operating Pawl Adjusting Screw
201669E	13785	Work Clamp Spreader Operating Pawl Adjusting Screw Nut
741c	13847	Work Clamp Spreader Operating Pawl Hinge Screw
250286	13785	Work Clamp Spreader Operating Pawl Spring
201314c	13785	Work Clamp Spreader Operating Pawl Stop Screw
252513	---	Work Clamp Spreader Operating Pawl complete, Nos. 176D, 7071, 250285 and 252512
232312	13953	Work Clamp Spreader Plate (2) ..
201121D	13953	" " " " Screw (4)
250287	13785	Work Clamp Spreader Releaser
203c	13769	" " " " " Screw
201314c	13785	Work Clamp Spreader Screw Stud (2)
253525	13953	Work Clamp Spreader Retaining Plate
237F	13756	Work Clamp Spreader Retaining Plate Screw
255003	13939	Work Clamp Spring (2)
255016	13939	" " " " Wear Plate (2) ..
792D	13936	" " " " " Screw (2)

ACCESSORIES

No.	Plate	Name
255049	13946	Buttonhole Cutting Block (steel), 1 in. (eye or taper bar)
250467	13946	Buttonhole Cutting Knife (.100 x .180 eye)
250212	13776	Stitch Regulating Gear, 28 teeth ..
232486	13865	Threader Wire (large)
250412	13865	" " (small)
255513	13866	Tweezers
255093	13941	Work Position Gauge (left)
255094	13941	" " " (right)
1443F	13887	" " " Screw (2) ..
203149	13941	" " " " Washer (2)
142 x 5	---	Needles, six, size 17
250004	13865	Bed Cushion (leather) (back)
250006	13865	" " " (front)
250007	13865	" " (rawhide) (inside)
250008	13865	" " " (outside)
158E	13865	" " Screw, for 250018
250018	13865	" Support (left) with 250004, 250006, 250008, two 250007 and six 158E
250019	13865	Bed Support (right) with 250004, 250006, 250008, two 250007 and six 158E
250288	---	Drip Pan
250408	13865	Machine Rest (high) with 232982 and two wood screws 1 in., No. 13
232982	---	Machine Rest Cushion (leather) ..
120346	13865	Oiler (copper plated) with 120347
120347	13865	" Spout, 9 in. long
11831	13866	Screw Driver, 5 in. blade (machine, large)
*225484	---	Screw Driver Blade
*250521	---	" " "
*225485	---	" " Handle
*225483	---	" " "
225498	13866	Screw Driver complete (7 1/2 in. long), Nos. 225484 and 225485 ..
250522	13866	Screw Driver complete (for needle set screw), Nos. 225483 and 250521
250543	13950	Stitch Regulating Gear Holder ...

No.	Plate	Name
8909	13866	Wrench, for 201628 and 201660
10875	13866	" " 201524
23535	13866	" " 1697 and 1698
25200	13866	" " 1528 and 201643
42850	13866	" " 1550
232900	13866	" " 201362 and 201668
232935	13866	" " 201658, 201659 and 201670
250289	13866	Wrench, for 201424 and 350111
250402	13865	" " 201442 and 201445
		Wood Screws 1 1/4 in., No. 12 (4) ..

THREAD UNWINDER

232417	13940	Spool Pin
225375	13940	" " (wood)
232895	13940	" " Arm with 759F
232896	13940	" " " Bracket with two 448c
448c	13874	Spool Pin Arm Bracket Set Screw
448c	13874	" " Set Screw
250424	13806	" " Cap
200159F	13941	" " " Screw
759F	13941	" " Thumb Set Screw
225389	13944	" Rest (for one spool) with 201018c
225395	13944	Spool Rest (for two spools) with 201018c
232987	13944	Spool Rest Cushion (felt)
250453	13944	" " Rod (lower)
225388	13944	" " " (upper)
250454	13940	" " " Coupling with two 456c
456c	13941	Spool Rest Rod Coupling Set Screw
200383c	13871	Spool Rest Rod Set Screw, for 202490
201018c	13941	Spool Rest Set Screw
202490	13944	" Stand with 200383c
225390	13940	Thread Cone Holder
250472	13940	" Cop Holder
225391	13940	" Guide
201696J	13941	" " Lock Nut
350192J	13941	" " Screw Stud
225393	13941	" " " " Washer ..
200164B	13941	" " Stud Set Screw

No.	Plate	Name
225376	—	Thread Unwinder complete, Nos. 200164B, 201696J, 202490, 225388, 225389, 225393, 225395, 250453, 250454, 250472, 350192J, three each 200159F, 225375, 225390, 232417, 232895, 232896, 232987, 250424, four 225391 and three wood screws $\frac{3}{8}$ in., No. 12

DRIVING EQUIPMENT

228628	—	Belt (gilt edge), size $\frac{5}{8}$ in. diam., length 83 in., with two 25029 ..
228629	—	Belt (gilt edge), size $\frac{3}{4}$ in. diam., length 57 in., with 25030
228630	—	Belt (gilt edge), size $\frac{3}{4}$ in. diam., length 120 in., with two 25030 ..
228631	—	Belt (gilt edge), size $\frac{3}{4}$ in. diam., length 133 in., with two 25030 ..
228608	—	Belt Guard, for Bridgeport Old Style Power Table (trough), with two wood screws $\frac{3}{4}$ in., No. 10 ..
228610	—	Belt Guard, for E'port Old Style Power Table (trough), with two wood screws $\frac{3}{4}$ in., No. 10
25029	13955	Belt Hook
25030	13941	" "
228565	13870	" Shifter
228566	13870	" " Lever with 200526c
228567	13871	" " " Hinge Stud
200335c	13871	" " " " " Set Screw
228632	13933	Belt Shifter Locking Spring
200526c	13871	" " Set Screw
228618	13926	Buttonhole Cutter Driving Pulley, $\frac{45}{8}$ in. diam., with 200342c and 200347c
228619	13926	Buttonhole Cutter Driving Pulley Driving Pinion, 16 teeth, with 454c
2117	13871	Buttonhole Cutter Driving Pulley Driving Pinion Pin
454c	13941	Buttonhole Cutter Driving Pulley Driving Pinion Set Screw
200342c	13871	Buttonhole Cutter Driving Pulley Position Screw

No.	Plate	Name
200347c	13871	Buttonhole Cutter Driving Pulley Set Screw
228579	13869	Buttonhole Cutter Driving Pulley Shaft
228580	13869	Buttonhole Cutter Driving Pulley Shaft Bushing with 224392
224392	—	Buttonhole Cutter Driving Pulley Shaft Bushing Oil Packing (wick)
350028c	13871	Buttonhole Cutter Driving Pulley Shaft Bushing Set Screw
228620	13926	Buttonhole Cutter Driving Pulley Shaft Gear, 48 teeth, with 448c ..
2117	13871	Buttonhole Cutter Driving Pulley Shaft Gear Pin
448c	13874	Buttonhole Cutter Driving Pulley Shaft Gear Set Screw
228593	13869	Counter Shaft (hollow) with 200370c and 228595
210833	13871	Counter Shaft Collar with two 200383c
200383c	13871	Counter Shaft Collar Set Screw ..
228590	13870	" " Driving Pulley (loose), 5 in. diameter
228591	13870	Counter Shaft Driving Pulley (tight), 5 in. diam., with 200352c and 200363c
200352c	13864	Counter Shaft Driving Pulley Position Screw
200363c	13871	Counter Shaft Driving Pulley Set Screw
228601	13870	Counter Shaft Hanger with 200335c and 20224
228588	13870	Counter Shaft Hanger Belt Guard (double)
228597	13870	Counter Shaft Hanger Belt Guard (single)
200002E	13871	Counter Shaft Hanger Belt Guard Screw
202244	—	Counter Shaft Hanger Oil Packing (wick)
50294E	13871	Counter Shaft Hanger Screw
51046E	13941	" " " " "
41125	13871	" " " " " Washer
228602	13871	" " Oil Cup
228594	—	" " " Packing Wick
228595	13869	" " " " " Wire with 228594
200370c	13871	Counter Shaft Oil Stop Screw
228592	13870	" " Pulley, $\frac{57}{8}$ in. diam., with 200352c and 200363c

No.	Plate	Name
200352c	13864	Counter Shaft Pulley Position Screw
200363c	13871	Counter Shaft Pulley Set Screw ..
228596	—	Counter Shaft Hanger complete, for Old Style Power Table, Nos. 50294E, 200002E, 210833, 228565 to 228567, 228588, 228590 to 228593, 228601, 228602, 228632, two 51046E, and three 41125
228598	—	Counter Shaft Hanger complete, for Singer Safety Power Table, Nos. 50294E, 200002E, 210833, 228565 to 228567, 228590 to 228593, 228597, 228601, 228602, 228632, two 51046E and three 41125
228573	13870	Driving Attachment Belt Guard with 228607
228607	13926	Driving Attachment Belt Guard Drain Valve
50075J	13871	Driving Attachment Belt Guard Thumb Screw
228574	13870	Driving Attachment Bracket with 11119, 228575 and four 350028c ..
228575	13871	Driving Attachment Bracket Oil Cup
11119	13871	Driving Attachment Bracket Oil Tube with 29599
29599	—	Driving Attachment Bracket Oil Tube Packing (felt)
51046E	13941	Driving Attachment Bracket Screw
41125	13871	“ “ “ “ Washer
228624	13926	Driving Pulley, 6 in. diam., with 200374c and 200396c
200396c	13754	Driving Pulley Position Screw
200374c	13754	“ “ Set Screw, for 228624
228625	13926	“ “ Shaft
228571	13869	“ “ “ Bushing with 202260
202260	—	Driving Pulley Shaft Bushing Oil Packing (wick)
350028c	13871	Driving Pulley Shaft Bushing Set Screw
228626	13926	Driving Pulley Shaft Collar with two 200378c
200378c	13955	Driving Pulley Shaft Collar Set Screw
228621	13926	Machine Driving Pulley (loose), 3½ in. diameter

No.	Plate	Name
228622	13926	Machine Driving Pulley Clutch
214179	13941	“ “ “ “ Roller
214181	13941	“ “ “ “ “ “ Spring
214180	13941	Machine Driving Pulley Clutch Roller Spring Plunger
200050c	13941	Machine Driving Pulley Clutch Screw
228623	13926	Machine Driving Pulley Collar with two 200364c
200364c	13946	Machine Driving Pulley Collar Set Screw
228627	—	Driving Attachment complete, Nos. 50075J, 228573, 228574, 228579, 228580, 228618 to 228626, two each 2117, 228571, three each 41125, 51046E, 200050c and 214179 to 214181
228578	—	Driving Attachment and Idler complete, Nos. 228587 and 228627 ..
234342	—	Front Plank Extension (back) with two wood screws 1½ in., No. 10 (for flat table)
234343	—	Front Plank Extension (back) with three wood screws 1½ in., No. 10 and six 1½ in. wire nails, for Singer Safety Power Table (trough)
234344	—	Front Plank Extension (front) with two wood screws 2¼ in., No. 12 and three wood screws 1¾ in., No. 12
228581	13870	Idler Pulley
228643	13954	“ “ Belt Guard with 200526c
200526c	13871	“ “ “ “ Set Screw ..
228644	13954	“ “ Bracket with 200526c ..
200019E	13871	“ “ “ Screw
228584	13869	“ “ Shaft with 228586
204246	13871	“ “ “ Collar with two 200383c
200383c	13871	Idler Pulley Shaft Collar Set Screw
228602	13871	“ “ “ Oil Cup
228585	—	“ “ “ “ Wick
228586	13869	“ “ “ “ “ Wire with 228585
200526c	13871	Idler Pulley Shaft Set Screw
228587	—	Idler complete, Nos. 228584, 228602, 228644, two each 228581, 228643 and three 200019c

No.	Plate	Name
228604	—	Motor Base with four each 41125 and 50294E
50294E	13871	Motor Base Screw
41125	13871	" " " Washer
228599	—	Driving Equipment complete, for Old Style Power Table (flat), Nos. 27068, 228578, 228596, 228628, 228631, 234342, 234344 and blue print template
228600	—	Driving Equipment complete, for Singer Safety Power Table (flat), Nos. 41228, 228578, 228598, 228628, 228630, 234342, 234344 and blue print template
228605	—	Driving Equipment complete, for Individual Motor Table, Nos. 228627 to 228629
228606	—	Driving Equipment complete, for Singer Safety Power Table (trough), Nos. 41228, 228578, 228598, 228628, 228630, 234343, 234344 and blue print template ..
228609	—	Driving Equipment complete, for Bridgeport Old Style Power Table (trough), Nos. 27068, 228578, 228596, 228608, 228628, 228631, 234344 and blue print template ..
228611	—	Driving Equipment complete, for E'port Old Style Power Table (trough), Nos. 27068, 228578, 228596, 228610, 228628, 228631, 234344 and blue print template ..
228612	—	Driving Equipment complete, for use in connection with Electric Transmitter Motor on Power Table (flat), Nos. 228627 to 228629, 234342, 234344 and blue print template
228613	—	Driving Equipment complete, for use in connection with Electric Transmitter Motor on Power Table (E'port trough), Nos. 228610, 228627 to 228629, 234344 and blue print template

BUTTONHOLE CUTTING BLOCKS

No.	Plate	Name
255046	—	Buttonhole Cutting Block (steel), $\frac{5}{8}$ in. (eye or taper bar)
255047	—	Buttonhole Cutting Block (steel), $\frac{3}{4}$ in. (eye or taper bar)
255048	—	Buttonhole Cutting Block (steel), $\frac{7}{8}$ in. (eye or taper bar)
255049	13946	Buttonhole Cutting Block (steel), 1 in. (eye or taper bar)
255050	—	Buttonhole Cutting Block (steel), $1\frac{1}{4}$ in. (eye or taper bar)
255051	—	Buttonhole Cutting Block (steel), $1\frac{1}{2}$ in. (eye or taper bar)
255052	—	Buttonhole Cutting Block (steel), $1\frac{3}{4}$ in. (eye or taper bar)
255045	—	Buttonhole Cutting Block (steel), $1\frac{1}{2}$ in. (eye or taper bar)
255084	—	Buttonhole Cutting Block (steel), $\frac{5}{8}$ in. (straight)
255085	—	Buttonhole Cutting Block (steel), $\frac{3}{4}$ in. (straight)
255087	13946	Buttonhole Cutting Block (steel), 1 in. (straight)
255088	—	Buttonhole Cutting Block (steel), $1\frac{1}{4}$ in. (straight)
255089	—	Buttonhole Cutting Block (steel), $1\frac{1}{2}$ in. (straight)
255091	—	Buttonhole Cutting Block (steel), $1\frac{1}{2}$ in. (straight)

BUTTONHOLE CUTTING KNIVES

250467	13946	Buttonhole Cutting Knife (100 x .180 eye)
250461	—	Buttonhole Cutting Knife (126 x .180 eye)
250466	13946	Buttonhole Cutting Knife (straight)

BUTTONHOLE CORDING DEVICE

No.	Plate	Name
252503	13942	Cord Leader (upper)
250497	13942	" " " Gib
223D	13955	" " " Screw
202603	13900	" " " Washer ..
250498	13942	" " " Slide
250499	13942	" " " " Cap Plate.
200161D	13942	" " " " Screw ...
250500	13942	" " " " Spring ...
252532	13942	" " " Wire
252524	—	Cord Leader (upper) complete, Nos. 223D, 202603, 250497 to 250500, 252503 and two 200161D
201710D	13942	Cord Spool Adjusting Thumb Nut
350163D	13942	" " " " " "
		Clamping Screw
350162E	13942	Cord Spool Tension Stud
252533	13942	" " " " Bracket (upper)
252535	—	Cord Spool Tension Stud Bracket 252533 with 1520J, 10111, 10112, 201710D, 350162E and 350163D ...
10111	13941	Cord Spool Tension Stud Cone
10112	13941	" " " " " Spring
1520J	13856	" " " " " Nut
252506	—	Cording Device complete, Nos. 252524, 252532 and 252535
252625	13954	Work Clamp Arm (left)
252627	13954	" " " (right)
250553	13912	" " Check (left) with 1296E
250554	—	Work Clamp Check (left) complete, Nos. 250512, 250553 and two 229D
250555	13912	Work Clamp Check (right) with 1296E
250556	—	Work Clamp Check (right) com- plete, Nos. 250513, 250555 and two 229D
250512	13912	Work Clamp Check Extension (left)
250513	13912	" " " " (right)
229D	13912	" " " " Screw
1296E	13912	" " " Stop Screw

COUNTER SHAFT DRIVING PULLEYS

No.	Plate	Name
41219	—	Driving Pulley (sectional, grooved), 3 in. diam., $1\frac{1}{8}$ in. bore (for Table Shaft), with two 50399E
41220	—	Driving Pulley (sectional, grooved), 3 $\frac{1}{4}$ in. diam., $\frac{1}{2}$ in. bore (for Table Shaft), with two 50399E
41221	—	Driving Pulley (sectional, grooved), 3 $\frac{1}{2}$ in. diam., $\frac{1}{2}$ in. bore (for Table Shaft), with two 50399E
41222	—	Driving Pulley (sectional, grooved), 3 $\frac{7}{8}$ in. diam., $\frac{1}{2}$ in. bore (for Table Shaft), with two 50399E
41223	—	Driving Pulley (sectional, grooved), 4 in. diam., $\frac{1}{2}$ in. bore (for Table Shaft), with two 50399E
41224	—	Driving Pulley (sectional, grooved), 4 $\frac{1}{2}$ in. diam., $\frac{1}{2}$ in. bore (for Table Shaft), with two 50399E
41228	—	Driving Pulley (sectional, grooved), 5 $\frac{1}{4}$ in. diam., $\frac{1}{2}$ in. bore, with two 50399E
50399E	13955	Driving Pulley Clamp Screw

SHAFT PULLEYS

27271	—	Shaft Pulley (sectional, grooved), 4 in. diam., $1\frac{1}{8}$ in. bore, with two 597c
232920	—	Shaft Pulley (sectional, grooved), 4 $\frac{1}{2}$ in. diam., $1\frac{1}{8}$ in. bore, with two 597c
27065	—	Shaft Pulley (sectional, grooved), 5 in. diam., $1\frac{1}{8}$ in. bore, with two 597c
232879	—	Shaft Pulley (sectional, grooved), 5 $\frac{1}{2}$ in. diam., $1\frac{1}{8}$ in. bore, with two 597c

No.	Plate	Name
27066	—	Shaft Pulley (sectional, grooved), 6 in. diam., $1\frac{3}{8}$ in. bore, with two 597c
232880	—	Shaft Pulley (sectional, grooved), $6\frac{1}{2}$ in. diam., $1\frac{3}{8}$ in. bore, with two 597c
27067	—	Shaft Pulley (sectional, grooved), 7 in. diam., $1\frac{3}{8}$ in. bore, with two 597c
232881	—	Shaft Pulley (sectional, grooved), $7\frac{1}{2}$ in. diam., $1\frac{3}{8}$ in. bore, with two 597c
27068	—	Shaft Pulley (sectional, grooved), 8 in. diam., $1\frac{3}{8}$ in. bore, with two 597c
232882	—	Shaft Pulley (sectional, grooved), $8\frac{1}{2}$ in. diam., $1\frac{3}{8}$ in. bore, with two 597c
27069	—	Shaft Pulley (sectional, grooved), 9 in. diam., $1\frac{3}{8}$ in. bore, with two 597c
232883	—	Shaft Pulley (sectional, grooved), $9\frac{1}{2}$ in. diam., $1\frac{3}{8}$ in. bore, with two 597c
27070	—	Shaft Pulley (sectional, grooved), 10 in. diam., $1\frac{3}{8}$ in. bore, with two 597c
27072	—	Shaft Pulley (sectional, grooved), 12 in. diam., $1\frac{3}{8}$ in. bore, with two 597c
27074	—	Shaft Pulley (sectional, grooved), 14 in. diam., $1\frac{3}{8}$ in. bore, with two 597c
27075	—	Shaft Pulley (sectional, grooved), 15 in. diam., $1\frac{3}{8}$ in. bore, with two 597c
597c 13955		Shaft Pulley Clamping Screw

PATTERN WHEELS

For Making EYELET END Buttonholes with
LARGE EYE

No.	Plate	Name
250360	—	Pattern Wheel, $\frac{5}{8}$ in., complete, Nos. 250359, 255024, two each 203e, 250372 and three 391D
251217	—	Pattern Wheel, $\frac{5}{8}$ in., complete, Nos. 251216, 255024, two each 203e, 250372 and three 391D
250362	—	Pattern Wheel, $\frac{3}{4}$ in., complete, Nos. 250361, 255025, two each 203e, 250372 and three 391D
251221	—	Pattern Wheel, $\frac{7}{8}$ in., complete, Nos. 251220, 255025, two each 203e, 250372 and three 391D
251223	—	Pattern Wheel, 1 in., complete, Nos. 251222, 255026, two each 203e, 250372 and three 391D
251225	—	Pattern Wheel, $1\frac{1}{8}$ in., complete, Nos. 251224, 255027, two each 203e, 250372 and three 391D
250364	—	Pattern Wheel, 1 in., complete, Nos. 250363, 255028, two each 203e, 250372 and three 391D
251229	—	Pattern Wheel, 1 in., complete, Nos. 251228, 255028, two each 203e, 250372 and three 391D
251231	—	Pattern Wheel, $1\frac{1}{8}$ in., complete, Nos. 251230, 255029, two each 203e, 250372 and three 391D
250368	—	Pattern Wheel, $1\frac{1}{4}$ in., complete, Nos. 250367, 255030, two each 203e, 250372 and three 391D
251233	—	Pattern Wheel, $1\frac{1}{4}$ in., complete, Nos. 251232, 255030, two each 203e, 250372 and three 391D
250370	—	Pattern Wheel, $1\frac{1}{2}$ in., complete, Nos. 250369, 255031, two each 203e, 250372 and three 391D
251237	—	Pattern Wheel, $1\frac{1}{2}$ in., complete, Nos. 251236, 255031, two each 203e, 250372 and three 391D

No.	Plate	Name
251241	—	Pattern Wheel, $1\frac{3}{8}$ in., complete, Nos. 251240, 255032, two each 203E, 250372 and three 391D
250366	—	Pattern Wheel, $1\frac{1}{2}$ in., complete, Nos. 250365, 255033, two each 203E, 250372 and three 391D
251245	—	Pattern Wheel, $1\frac{1}{2}$ in., complete, Nos. 251244, 255033, two each 203E, 250372 and three 391D

For Making EYELET END Buttonholes with
MEDIUM EYE

251217	—	Pattern Wheel, $\frac{3}{4}$ in., complete, Nos. 251216, 255024, two each 203E, 250372 and three 391D
251221	—	Pattern Wheel, $\frac{3}{4}$ in., complete, Nos. 251330, 255025, two each 203E, 250372 and three 391D
251223	—	Pattern Wheel, $1\frac{1}{8}$ in., complete, Nos. 251222, 255026, two each 203E, 250372 and three 391D
251225	—	Pattern Wheel, $\frac{7}{8}$ in., complete, Nos. 251224, 255027, two each 203E, 250372 and three 391D
251229	—	Pattern Wheel, 1 in., complete, Nos. 251228, 255028, two each 203E, 250372 and three 391D
251231	—	Pattern Wheel, $1\frac{1}{16}$ in., complete, Nos. 251230, 255029, two each 203E, 250372 and three 391D
251233	—	Pattern Wheel, $1\frac{1}{8}$ in., complete, Nos. 251232, 255030, two each 203E, 250372 and three 391D
251237	—	Pattern Wheel, $1\frac{1}{4}$ in., complete, Nos. 251236, 255031, two each 203E, 250372 and three 391D
251241	—	Pattern Wheel, $1\frac{3}{8}$ in., complete, Nos. 251240, 255032, two each 203E, 250372 and three 391D
251245	—	Pattern Wheel, $1\frac{1}{2}$ in., complete, Nos. 251244, 255033, two each 203E, 250372 and three 391D

For Making STRAIGHT Buttonholes

No.	Plate	Name
250360	—	Pattern Wheel, $\frac{5}{8}$ in., complete, Nos. 250359, 255024, two each 203E, 250372 and three 391D
250362	—	Pattern Wheel, $\frac{3}{4}$ in., complete, Nos. 250361, 255025, two each 203E, 250372 and three 391D
250364	—	Pattern Wheel, 1 in., complete, Nos. 250363, 255028, two each 203E, 250372 and three 391D
250368	—	Pattern Wheel, $1\frac{1}{8}$ in., complete, Nos. 250367, 255030, two each 203E, 250372 and three 391D
250370	—	Pattern Wheel, $1\frac{1}{4}$ in., complete, Nos. 250369, 255031, two each 203E, 250372 and three 391D
250366	—	Pattern Wheel, $1\frac{1}{2}$ in., complete, Nos. 250365, 255033, two each 203E, 250372 and three 391D

For Making MEDIUM EYE TAPER BAR

250576	—	Pattern Wheel, $\frac{5}{8}$ in., complete, Nos. 250575, 251425, two each 203E, 250372 and three 391D
250578	—	Pattern Wheel, $\frac{3}{4}$ in., complete, Nos. 250577, 251426, two each 203E, 250372 and three 391D
250580	—	Pattern Wheel, $\frac{7}{8}$ in., complete, Nos. 250579, 251427, two each 203E, 250372 and three 391D
250582	—	Pattern Wheel, 1 in., complete, Nos. 250581, 251428, two each 203E, 250372 and three 391D
250584	—	Pattern Wheel, $1\frac{1}{8}$ in., complete, Nos. 250583, 251430, two each 203E, 250372 and three 391D
250586	—	Pattern Wheel, $1\frac{1}{4}$ in., complete, Nos. 250585, 251430, two each 203E, 250372 and three 391D
250588	—	Pattern Wheel, $1\frac{3}{8}$ in., complete, Nos. 250587, 251430, two each 203E, 250372 and three 391D

For Making LARGE EYE TAPER BAR

No.	Plate	Name
250562	—	Pattern Wheel, $\frac{5}{8}$ in., complete. Nos. 250371, 250561, 251425, two each 175E, 203E, 250372 and three 391D
250564	—	Pattern Wheel, $\frac{3}{4}$ in., complete. Nos. 250371, 250563, 251426, two each 175E, 203E, 250372 and three 391D
250566	—	Pattern Wheel, $\frac{3}{4}$ in. complete. Nos. 250371, 250565, 251427, two each 175E, 203E, 250372 and three 391D
250568	—	Pattern Wheel, 1 in., complete. Nos. 250371, 250567, 251428, two each 175E, 203E, 250372 and three 391D
250570	—	Pattern Wheel, $1\frac{1}{8}$ in., complete. Nos. 250371, 250569, 251430, two each 175E, 203E, 250372 and three 391D
250572	—	Pattern Wheel, $1\frac{1}{8}$ in., complete. Nos. 250371, 250571, 251430, two each 175E, 203E, 250372 and three 391D
250574	—	Pattern Wheel, $1\frac{3}{8}$ in., complete. Nos. 250371, 250573, 251430, two each 175E, 203E, 250372 and three 391D
250359	—	Pattern Wheel, for $\frac{5}{8}$ in. Eye and Straight Buttonhole (large eye), for 250360
250561	—	Pattern Wheel, for $\frac{3}{4}$ in. Taper Bar (large eye) Buttonhole, bar adjustable from $\frac{1}{8}$ to $\frac{3}{8}$ in., for 250562
250575	—	Pattern Wheel, for $\frac{3}{4}$ in. Taper Bar (medium eye) Buttonhole, bar adjustable from $\frac{1}{8}$ to $\frac{3}{8}$ in., for 250576
251216	—	Pattern Wheel, for $\frac{5}{8}$ in. Eye Buttonhole (large and medium eye), for 251217
250361	—	Pattern Wheel, for $\frac{3}{4}$ in. Eye and Straight Buttonhole (large eye), for 250362

No.	Plate	Name
250563	—	Pattern Wheel, for $\frac{3}{4}$ in. Taper Bar (large eye) Buttonhole, bar adjustable from $\frac{1}{8}$ to $\frac{3}{8}$ in., for 250564
250577	—	Pattern Wheel, for $\frac{3}{4}$ in. Taper Bar (medium eye) Buttonhole, bar adjustable from $\frac{1}{8}$ to $\frac{3}{8}$ in., for 250578
251220	—	Pattern Wheel, for $\frac{3}{4}$ in. Eye Buttonhole (large and medium eye), for 251221
251222	—	Pattern Wheel, for $1\frac{1}{8}$ in. Eye Buttonhole (large and medium eye), for 251223
250565	—	Pattern Wheel, for $\frac{3}{4}$ in. Taper Bar (large eye) Buttonhole, bar adjustable from $\frac{1}{8}$ to $\frac{3}{8}$ in., for 250566
250579	—	Pattern Wheel, for $\frac{3}{4}$ in. Taper Bar (medium eye) Buttonhole, bar adjustable from $\frac{1}{8}$ to $\frac{3}{8}$ in., for 250580
251224	—	Pattern Wheel, for $\frac{3}{4}$ in. Eye Buttonhole (large and medium eye), for 251225
250363	—	Pattern Wheel, for 1 in. Eye and Straight Buttonhole (large eye), for 250364
250567	—	Pattern Wheel, for 1 in. Taper Bar (large eye) Buttonhole, bar adjustable from $\frac{1}{8}$ to $\frac{3}{8}$ in., for 250568
250581	—	Pattern Wheel, for 1 in. Taper Bar (medium eye) Buttonhole, bar adjustable from $\frac{1}{8}$ to $\frac{3}{8}$ in., for 250582
251228	13948	Pattern Wheel, for 1 in. Eye Buttonhole (large and medium eye), for 251229
251230	—	Pattern Wheel, for $1\frac{1}{16}$ in. Eye Buttonhole (large and medium eye), for 251231
250367	—	Pattern Wheel, for $1\frac{1}{8}$ in. Eye and Straight Buttonhole (large eye), for 250368
250569	—	Pattern Wheel, for $1\frac{1}{8}$ in. Taper Bar (large eye) Buttonhole, bar adjustable from $\frac{1}{8}$ to $\frac{3}{8}$ in., for 250570
250583	—	Pattern Wheel, for $1\frac{1}{8}$ in. Taper Bar (medium eye) Buttonhole, bar adjustable from $\frac{1}{8}$ to $\frac{3}{8}$ in., for 250584
251232	—	Pattern Wheel, for $1\frac{1}{8}$ in. Eye Buttonhole (large and medium eye), for 251233

Pattern Wheels

No.	Plate	Name
250369	—	Pattern Wheel, for 1½ in. Eye and Straight Buttonhole (large eye), for 250370
250571	—	Pattern Wheel, for 1½ in. Taper Bar (large eye) Buttonhole, bar adjustable from ¾ to 1 in., for 250572
250585	—	Pattern Wheel, for 1½ in. Taper Bar (medium eye) Buttonhole, bar adjustable from ¾ to 1 in., for 250586
251236	—	Pattern Wheel, for 1½ in. Eye Buttonhole (large and medium eye), for 251237
250573	—	Pattern Wheel, for 1¾ in. Taper Bar (large eye) Buttonhole, ¾ in. adjustable bar, for 250574
250587	—	Pattern Wheel, for 1¾ in. Taper Bar (medium eye) Buttonhole, ¾ in. adjustable Bar, for 250588
251240	—	Pattern Wheel, for 1¾ in. Eye Buttonhole (large and medium eye), for 251241
250365	—	Pattern Wheel, for 1½ in. Eye and Straight Buttonhole (large eye), for 250366
251244	—	Pattern Wheel, for 1½ in. Eye Buttonhole (large and medium eye), for 251245
250371	13769	Pattern Wheel Cam Block, for 250562, 250564, 250566, 250568, 250570, 250572 and 250574
250372	13769	Pattern Wheel Rapid Feed Trip Point
	203E 13769	Pattern Wheel Rapid Feed Trip Point Screw
250376	—	Pattern Wheel Ring, for 255024 ..
255024	—	" " " 250376 with 211E, 250443 and 250444, for 250360 and 251217
250378	—	Pattern Wheel Ring, for 255025 ..
255025	—	" " " 250378 with 211E, 250443 and 250444, for 250362 and 251221
250379	—	Pattern Wheel Ring, for 255026 ..
255026	—	" " " 250379 with 211E, 250443 and 250444, for 251223 ..
250380	—	Pattern Wheel Ring, for 255027 ..
255027	—	" " " 250380 with 211E, 250443 and 250444, for 251225 ..

Pattern Wheels

No.	Plate	Name
250382	13948	Pattern Wheel Ring, for 255028 ..
255028	—	" " " 250382 with 211E, 250443 and 250444, for 250364 and 251229
250383	—	Pattern Wheel Ring, for 255029 ..
255029	—	" " " 250383 with 211E, 250443 and 250444, for 251231 ..
250384	—	Pattern Wheel Ring, for 255030 ..
255030	—	" " " 250384 with 211E, 250443 and 250444, for 250368 and 251233
250386	—	Pattern Wheel Ring, for 255031 ..
255031	—	" " " 250386 with 211E, 250443 and 250444, for 250370 ..
250388	—	Pattern Wheel Ring, for 255032 ..
255032	—	" " " 250388 with 211E, 250443 and 250444, for 251241 ..
250390	—	Pattern Wheel Ring, for 255033 ..
255033	—	" " " 250390 with 211E, 250443 and 250444, for 250366 and 251245
251493	—	Pattern Wheel Ring, for 251425 ..
251425	—	" " " 251493 with 252662, 252663, two each 211E and 250444, for 250562 and 250576 ..
251494	—	Pattern Wheel Ring, for 251426 ..
251426	—	" " " 251494 with 252662, 252663, two each 211E and 250444, for 250564 and 250578 ..
251495	—	Pattern Wheel Ring, for 251427 ..
251427	—	" " " 251495 with 252662, 252663, two each 211E and 250444, for 250566 and 250580
251496	—	Pattern Wheel Ring, for 251428 ..
251428	—	" " " 251496 with 252662, 252663, two each 211E and 250444, for 250568 and 250582 ..
251497	—	Pattern Wheel Ring, for 251430 ..
251430	—	" " " 251497 with 252662, 252663, two each 211E and 250444, for 250570, 250572, 250574, 250584, 250586 and 250588
250443	13952	Pattern Wheel Ring Adjusting Segment
252662	13955	Pattern Wheel Ring Adjusting Segment (curved rise)

No.	Plate	Name
252663	13955	Pattern Wheel Ring Adjusting Segment (straight drop)
211E	13951	Pattern Wheel Ring Adjusting Segment Screw
250444	13951	Pattern Wheel Ring Adjusting Segment Screw Washer
391D	13769	Pattern Wheel Ring Screw

PATTERN WHEEL CABINET

250403	—	Pattern Wheel Cabinet
--------	---	-----------------------------

SINGER KNIFE TRUEING FIXTURE

232870	13874	Base with 448c, for 232871
232871	—	" 232870 with 59D, 232872 and 232876, for 232878
232872	13874	Knife Clamping Lever, for 232871
59D	13874	" " " Hinge Screw, for 232871
232873	13874	Oil Stone, for 232875
232874	13874	" " Bracket with three 448c, for 232875
232875	—	Oil Stone Bracket 232874 with 232873 and 232877, for 232878 ..
232876	13874	Oil Stone Bracket Shaft, for 232871
448c	13874	" " " " Set Screw, for 232874
448c	13874	Oil Stone Set Screw, for 232870 ...
232877	13874	" " " " Friction Gib, for 232875
232878	—	Singer Knife Trueing Fixture complete, Nos. 232871 and 232875 ...

THREAD LUBRICATING CUP

250518	13942	Thread Lubricating Cup with 171E, 250519 and 250520
250519	—	Thread Lubricating Cup Oil Pad, for 250518
171E	13951	Thread Lubricating Cup Pinch Screw, for 250518
250520	—	Thread Lubricating Cup Thread Guide, for 250518

OBSOLETE PARTS

No.	Plate	Name
232495	13749	Bed Shaft Bevel Gear (order Position Screw or Set Screw as required)
250291	13954	Driving Wheel Stop Cam
250072	13900	Loop Retainer Carrier Shaft Collar
250113	—	Needle Holder Slide
232194	13879	" Thread Nipping Block
200397H	13879	" " " " Set Screw
250120	13879	Needle Thread Nipping Cam with 460c
12509	13952	Needle Thread Nipping Cam Position Pin
460c	13756	Needle Thread Nipping Cam Set Screw
250122	13875	Needle Thread Nipping Lever with 200075c, 200139E, 201103c, 201534E, 201535, 201869 and 250123
200075c	13879	Needle Thread Nipping Lever Adjusting Screw
201535E	13879	Needle Thread Nipping Lever Adjusting Screw Nut
1248c	13879	Needle Thread Nipping Lever Hinge Screw
201869	13879	Needle Thread Nipping Lever Roller
200139E	13879	Needle Thread Nipping Lever Roller Cap Screw
201103c	13879	Needle Thread Nipping Lever Roller Stud
201534E	13879	Needle Thread Nipping Lever Roller Stud Nut
250123	13875	Needle Thread Nipping Lever Roller Stud Washer
232196	13879	Needle Thread Nipping Post
200688E	13955	" " " " Guide Screw
232197	13879	Needle Thread Nipper Post Spring
250741	—	Needle Thread Retainer complete, Nos. 1620E, 12400, 12402, 39713 and 250740
250740	13955	Needle Thread Retainer Holder with 462c

No.	Plate	Name
1620E	13879	Needle Thread Retainer Holder Nut
12400	13955	" " " Sleeve
39713	13934	" " " Spring
12402	13955	" " " Stud
462C	13847	" " " " Set Screw
250126	13879	" " Take-up with 735c ..
12509	13952	" " " Position Pin..
735C	13900	" " " Set Screw
250127	13879	" " " Shaft
250128	13875	" " " " Bracket
250399	13879	" " " " "
		Position Pin
232673	13955	Needle Thread Take-up Shaft Gear
40025	13864	" " " " "
		Position Pin
448C	13874	Needle Thread Take-up Shaft Gear Set Screw
250129	13875	Needle Thread Take-up Spring
201440E	13879	" " " " Screw Stud
250130	13875	Needle Thread Take-up Spring Stop Plate
233D	13901	Needle Thread Take-up Spring Stop Plate Screw
250131	13875	Needle Thread Take-up Thread Guide
250132	13875	Needle Thread Take-up Thread Guide Hinge Pin
250133	13875	Needle Thread Take-up Thread Guide Spring Latch
233D	13901	Needle Thread Take-up Thread Guide Spring Latch Screw
250134	13875	Needle Thread Take-up Thread Stripper
233D	13901	Needle Thread Take-up Thread Stripper Screw
250135	13875	Needle Thread Tension Releaser Arm
250136	13875	Needle Thread Tension Releaser Arm Plate
220E	13879	Needle Thread Tension Releaser Arm Plate Screw
250139	13875	Needle Thread Tension Thread Guide
250739	13955	Needle Thread Tension Thread Guide
1620E	13879	Needle Thread Tension Thread Guide Lock Nut
250155	13770	Rapid Feed Clutch Disengaging Sleeve

No.	Plate	Name
250157	13770	Rapid Feed Clutch Roller Carrier with 624E
232531	15955	Rapid Feed Clutch Roller Spring ..
250170	13771	" " Pawl Bell Crank with 202299
201441C	13955	Rapid Feed Pawl Hinge Screw ...
201667C	13771	" " " " " Nut
250173	13852	" " Slide Bar
250176	13775	" " " " Fork Conne- tion with 889c
253482	13955	Rapid Feed Slide Bar Fork Conne- ction Extension Plate
	190D	13785 Rapid Feed Slide Bar Fork Conne- ction Extension Plate Screw
350166C	13955	Rapid Feed Slide Bar Lock Hinge Screw
250188	13774	Rapid Feed Slide Bar Spring
250737	13955	Throat Plate with 200589D and 250738
250738	13955	Throat Plate Needle Thread Cutter
200589D	13955	" " " " " Screw
232495	13749	Vertical Shaft Bevel Gear (order Position Screw or Set Screw as required)
251351	13954	Work Clamp Arm (left)
251352	13954	" " " (right)

NUMERICAL LIST OF PARTS
FOR
MACHINE
No. 99w75

NUMERICAL LIST OF PARTS

No.	Plate	Name
13	13774	Starting Bell Crank Hinge Screw
24	13811	Belt Guard Screw
113	13771	Rapid Feed Pawl Bell Crank Hinge Screw
114	13774	Stop Lever Operating Lever Hinge Screw
200	13936	Needle Thread Tension Releasing Lever Hinge Screw
280	13776	Starting Rod Safety Lock Hinge Screw
45	13847	Needle Vibrating Bell Crank Hinge Screw
560	13774	Rapid Feed Stop Trip Lever Hinge Screw
581	13776	Stitch Rotating Lever Connection Hinge Screw
595	13874	Knife Tracing Fixture Knife Clamp- ing Lever Hinge Screw, for 232871
640	13762	Stop Lever Link Hinge Screw
720	13805	Finger Starting Lever (intermedi- ate) Hinge Screw
725	13805	Rapid Feed Tripping Pawl Lever Hinge Screw
900	13951	Work Clamp Base Spring (front) Screw, for 255065 and 255066
99	13953	Work Clamp Spreader Operating Fork Lever Connection Hinge Screw (rear)
106	13953	Work Clamp Spreader Operating Fork Lever Connection Hinge Screw (front)
1270	13900	Loop Retainer Slide Guide Exten- sion Screw, for 250003
1290	13759	Intermittent Feed Driving Wheel Bracket Screw
1320	13785	Work Clamp Spreader Operating Pawl Adjusting Screw
1340	13811	Bed Extension Screw
1450	13769	Needle Thread Tension Releasing Lever Bracket Screw (lower)
1450	13769	Pattern Wheel Shaft Bushing (left) Screw

No.	Plate	Name
145E	13769	Rapid Feed Slide Bar Bushing (left) Screw
150D	13946	Arm Shaft Screw
154C	13936	Needle Thread Tension Releasing Adjusting Screw
157C	13864	Stop Lever Operating Plate Screw
158E	13865	Bed Cushion Screw, for 250018 and 250019
158E	13865	Finger Starting Lever (intermediate) Bracket Screw
159D	13934	Needle Thread Tension Bracket Screw
161D	13756	Buttonhole Cutting Trip Lever Bracket Screw
168D	13951	Pattern Wheel Shaft Bevel Gear Set Screw, for 250150
171D	13951	Looper Thread Tension Stud Set Screw
171E	13951	Needle Thread Controller Stud Set Screw, for 255005
171E	13951	Needle Thread Retainer Stud Set Screw
171E	13951	Thread Lubricating Cup Pinch Screw, for 250518
172D	13785	Stitch Rotating Lever Connection Screw (lower), for 232764
172D	13785	Work Clamp Closing Lever Cam Groove Protector Screw, for 255019
175E	13769	Needle Vibrating Bell Crank Connection End Bearing (back) Cap Screw, for 38446, 250143 and 250574
175E	13769	Needle Vibrating Bell Crank Connection End Bearing (front) Cap Screw, for 38446 and 250143
176D	13762	Looper Driving Gear Screw
176D	13762	Rapid Feed Slide Bar Fork Connection Extension Plate Screw
176D	13762	Throat Plate Screw
176D	13762	Work Clamp Spreader Operating Pawl Adjusting Block Screw, for 252513
181D	13771	Rapid Feed Pawl Guide Screw
183E	13891	Looper Thread Controlling Lever Bracket Screw
183C	13891	Work Clamp Closing Lever Disengaging Block Screw
185H	13900	Loop Retainer Screw
185H	13900	Lower Cord Leader Screw

No.	Plate	Name
190D	13785	Looper Thread Tube Bracket Screw
190D	13785	Loop Retainer Slide Gib Screw ...
190E	13785	Looper Screw
190D	13785	Needle Thread Tension Releasing Rod Bracket Screw
190D	13785	Rapid Feed Slide Bar Fork Connection Extension Plate Screw (obsolete)
191C	13825	Work Clamp Carrier Side Throw Lever Lock Pin Spring Screw ..
193D	13776	Rapid Feed Starting Lever Latch Stop Washer Screw
193D	13776	Stitch Rotating Lever Connection Screw (upper), for 250400
194C	13774	Work Clamp Opening Lever Latch Stop Screw Stud
194C	13774	Work Clamp Spreader Lever (front) Screw Stud, for 255065
199C	13762	Looper Driving Crank Link Cap Screw
199C	13762	Rapid Feed Starting Latch Cap Screw
200E	13846	Buttonhole Cutting Starting Lever Latch Stop Screw
200E	13846	Needle Thread Tension Releasing Block Set Screw, for 255122
200E	13846	Work Clamp Opening Lever Latch Releasing Bracket Set Screw, for 253679
202F	13934	Needle Thread Controller Spring Bracket Screw
203E	13769	Pattern Wheel Rapid Feed Trip Point Screw
203E	13769	Starting Latch Spring Screw
203E	13769	" Rod Block Set Screw, for 250203
203C	13769	Work Clamp Spreader Releaser Screw, for 255079
203E	13769	Work Clamp Spreader Operating Fork Lever Stop Plate Screw ...
207F	13895	Work Clamp Spreader Adjusting Screw Bracket Screw
207F	13895	Work Clamp Opening Stop Screw, for 255065 and 255066
208E	13903	Buttonhole Cutting Starting Lever Safety Plate Screw
208E	13903	Finger Starting Lever (intermediate) Bracket Pinch Screw, for 255080

No.	Plate	Name
208E	13903	Needle Holder Screw
208E	13903	" " Slide Lever Stud Screw
208E	13903	" Thread Tension Releasing Rod Screw
208E	13903	Rapid Feed Clutch Roller Retainer Screw
208D	13903	Work Clamp Carrier Slide Adjust- ing Screw, for 255082
208E	13903	Work Clamp Spreader Connection Bracket Screw
209F	13825	Feed Wheel Ring Gib Screw, for 250529
209C	13825	Starting Rod Collar Set Screw, for 40043
209F	13825	Work Clamp Arm Cam Set Screw, for 253666
209F	13825	Work Clamp Connection Lever Set Screw, for 250268
209F	13825	Work Clamp Closing Lever (hand) Set Screw, for 250266
211E	13951	Pattern Wheel Ring Adjusting Seg- ment Screw
212D	13825	Work Clamp Spreader Operating Fork Lever Cap Screw
213D	13806	Starting Rod Lock Spring Screw ..
217D	13952	Stop Lever Link Connection Lock- ing Pin Spring Screw
217E	13952	Rapid Feed Starting Lever Latch Spring Screw
217E	13952	Work Clamp Opening Lever Latch Spring Screw, for 255065
219E	13856	Buttonhole Cutting Lever Bracket Gib Adjusting Plate Screw
219E	13856	Looper Thread Controlling Spring Stop Screw
219F	13856	Looper Thread Tension Releaser Operating Cam Block Set Screw, for 253534
220E	13879	Needle Thread Tension Releaser Arm Plate Screw (obsolete) ...
223D	13955	Cord Leader (upper) Screw, for 252524
229D	13912	Work Clamp Check Extension Screw, for 250554 and 250556 ...
230E	13934	Needle Guard Screw
231C	13826	" Thread Controller Spring Stop Adjusting Screw, for 255067
231C	13826	Work Clamp Carrier Side Throw Lever Slide Block Guide Screw

No.	Plate	Name
231C	13826	Work Clamp Carrier Slide Stay Plate Screw
233D	13901	Looper Driving Connection Plate Screw, for 250088
233D	13901	Needle Guard Screw (support end)
233D	13901	" Thread Take-up Spring Stop Plate Screw (obsolete)
233D	13901	Needle Thread Take-up Thread Guide Spring Latch Screw (obso- lete)
233D	13901	Needle Thread Take-up Thread Stripper Screw (obsolete)
236D	13949	Looper Thread Controlling Cam Screw
236D	13949	Work Clamp Carrier Slide Adjust- ing Bracket Screw
237F	13756	Buttonhole Cutting Trip Lever Safety Lever Set Screw, for 250047
237F	13756	Looper Thread Tension Releaser Lever Rod Collar Set Screw, for 253535
237F	13756	Looper Thread Tension Releaser Operating Lever Set Screw, for 253533
237F	13756	Work Clamp Spreader Retaining Plate Screw
240D	13936	Needle Thread Tension Releasing Block Stop Screw
330D	13946	Bed Shaft Bushing (front) Oil Tube Bracket Screw
391D	13769	Pattern Wheel Ring Screw
401D	13901	Looper Bracket Frame Chip Guard Screw
435C	13885	Work Clamp Carrier Side Throw Lever Hinge Stud Set Screw ...
436C	13771	Rapid Feed Crank Shaft Bushing Set Screw
443C	13936	Needle Vibrating Lever Hinge Stud Set Screw
446E	13947	Buttonhole Cutting Driving Wheel Set Screw, for 250290
448C	13874	Buttonhole Cutter Driving Pulley Shaft Gear Set Screw, for 228620
448C	13874	Knife Truing Fixture Oil Stone Set Screw, for 232870
448C	13874	Knife Truing Fixture Oil Stone Bracket Shaft Set Screw, for 232874

No.	Plate	Name
448c	13874	Needle Thread Take-up Shaft Gear Set Screw (obsolete)
448c	13874	Rapid Feed Slide Bar Collar Set Screw, for 252269
448c	13874	Spool Pin Arm Bracket Set Screw, for 232896
448c	13874	Spool Pin Set Screw
448c	13874	Stitch Rotating Lever (upper) Set Screw, for 232591
448c	13874	Work Clamp Carrier Side Throw Lever Hinge Stud Collar Set Screw, for 250600
453E	13864	Arm Shaft Bevel Gear Set Screw
453c	13864	Bed Shaft Bevel Gear Set Screw, for 255521
453c	13864	Buttonhole Cutting Lever (lower) Cam Set Screw, for 250032
453c	13864	Buttonhole Cutting Lever (upper) Cam Set Screw, for 251271
453c	13864	Pattern Wheel Shaft Collar Set Screw, for 232600
453c	13864	Rapid Feed Crank Shaft Collar Set Screw, for 232600
453c	13864	Rapid Feed Worm Set Screw, for 250195
453c	13864	Rapid Feed Worm Wheel Collar Set Screw, for 250198
453c	13864	Stitch Rotating Sector (upper) Position Collar Set Screw, for 23414
453c	13864	Stop Lever Crank Set Screw, for 250218
453c	13864	Vertical Shaft Bevel Gear Set Screw, for 255522
454c	13941	Buttonhole Cutter Driving Pulley Driving Pinion Set Screw, for 228619
456c	13941	Spool Rest Rod Coupling Set Screw, for 250454
457c	13811	Bed End Cover Support Set Screw
457c	13811	Feed Driving Gear (intermediate) Set Screw, for 250054
458c	13771	Rapid Feed Crank Shaft Gear Set Screw, for 250452
458c	13771	Stitch Rotating Lever (lower) Set Screw, for 250215
460c	13756	Buttonhole Cutting Trip Lever Set Screw, for 250045
460c	13756	Needle Thread Nipping Cam Set Screw, for 250120 (obsolete)

No.	Plate	Name
462c	13847	Needle Thread Retainer Stud Set Screw, for 250740 (obsolete)
462c	13847	Needle Vibrating Ring Set Screw, for 232420
462c	13847	Work Clamp Opening Cam Set Screw, for 253680
465c	13759	Intermittent Feed Driving Wheel Set Screw, for 232539
465c	13759	Intermittent Feed Driving Wheel Shaft Gear Set Screw, for 250063
575c	13811	Vertical Shaft Bushing (upper) Set Screw
597c	13955	Shaft Pulley Clamping Screw, for 27065 to 27072, 27074, 27075, 232879 to 232883 and 232920
602E	13887	Work Clamp Check Screw, for 255065 and 255066
624E	13951	Rapid Feed Clutch Roller Carrier Set Screw, for 250157 and 255095
637c	13934	Lower Cord Tension Stud
641D	13811	Face Plate Screw
641D	13811	Rapid Feed Gear Guard Screw
646F	13805	Finger Starting Lever (intermediate) Operating Stud, for 251292
647E	13769	Pattern Wheel Shaft Bushing (right) Screw
647E	13769	Rapid Feed Slide Bar Bushing (right) Screw
648D	13774	Starting Latch Hinge Screw
659D	13895	Work Clamp Opening Bell Crank Hinge Screw
662D	13754	Buttonhole Cutting Pressure Wedge Adjusting Screw Lock Spring Screw, for 232057
690D	13899	Feed Adjusting Gear Bracket Clamping Post Screw
690D	13899	Stitch Rotating Sector Lower Bracket Screw
704c	13951	Rapid Feed Starting Lever Stud Set Screw, for 255053
704E	13951	Rapid Feed Slide Bar Lock Block Screw
735E	13900	Loop Retainer Carrier Shaft Set Screw
735E	13900	Looper Driving Crank Gear Set Screw, for 250081 and 250094 ...
735E	13900	Needle Rotating Gear Set Screw, for 250117
735c	13900	Needle Thread Take-up Set Screw, for 250126 (obsolete)

No.	Plate	Name
741C	13847	Needle Vibrating Adjusting Link Hinge Screw
741C	13847	Work Clamp Spreader Operating Pawl Hinge Screw
759F	13941	Spool Pin Thumb Set Screw, for 232895
792D	13936	Needle Thread Tension Releasing Rod Plate Screw
792D	13936	Work Clamp Base Locking Spring Screw, for 255065 and 255066 ..
792D	13936	Work Clamp Spring Wear Plate Screw
807D	13864	Stop Lever Link Connection Screw (front)
807D	13864	Work Clamp Opening Rod Connection Hinge Screw
808D	13895	Work Clamp Opening Rod Guide Pinch Screw, for 250274
889C	13771	Rapid Feed Slide Bar Fork Connection Set Screw, for 250176 and 252267
904E	13903	Needle Set Screw, for 251214
906E	13949	Looper Bracket Rotating Gear Set Screw, for 232555
906C	13949	Work Clamp Spreader Cam Crank Set Screw, for 253504
934H	13952	Work Clamp Base Clamping Plate Screw
934H	13952	Work Clamp Base (left) Guard Screw, for 255065
934H	13952	Work Clamp Base (right) Guard Screw, for 255066
940F	13953	Work Clamp Spreader Lever (front) Hinge Screw
946D	13952	Starting Rod Lock Hinge Screw ..
990D	13946	Buttonhole Cutting Carrier Lever Roller Cap Screw, for 250021 ..
991C	13891	Work Clamp Closing Lever Stop Screw, for 255080
991E	13891	Work Clamp Spreader Adjusting Screw, for 255065 and 255066 ..
996E	13934	Needle Thread Retainer Spring Screw Stud
1036C	13949	Driving Wheel Stop Cam Position Collar Set Screw, for 251025
1043C	13951	Looper Thread Tension Stud, in place of 637C
1094E	13947	Buttonhole Cutting Driving Wheel Lock Stop Plate Screw

No.	Plate	Name
1094E	13947	Work Clamp Carrier Slide Gib Screw, for 250003
1100D	13947	Buttonhole Cutting Knife Adjusting Block Screw
1120C	13901	Looper Driving Connection Set Screw, for 250088
1120C	13901	Looper Thread Controlling Lever Spring Screw
1178D	13864	Stop Lever Interlocking Slide Screw
1178E	13864	Work Clamp Closing Lever Adjusting Arm Screw
1230C	13951	Rapid Feed Clutch Driving Disc Screw
1230E	13951	Needle Vibrating Rod Guide Set Screw, for 250146
1241E	13774	Rapid Feed Slide Bar Lock Spring Screw Eye
1241E	13774	Rapid Feed Starting Lever Spring Screw
1241E	13774	Rapid Feed Tripping Pawl Spring Screw Eye
1241E	13774	Work Clamp Closing Lever Engaging Stud Latch Spring Screw Eye
1241E	13774	Work Clamp Closing Lever Spring Screw Eye
1241E	13774	Work Clamp Opening Bell Crank Spring Screw Eye
1242E	13937	Rapid Feed Tripping Pawl Spring Screw Stud
1248C	—	Needle Thread Nipping Lever Hinge Screw (obsolete)
1253C	13895	Work Clamp Opening Lever Set Screw, for 250551
1258E	13946	Bed Shaft Collar Set Screw, for 250017
1281E	13946	Buttonhole Cutting Block Stop Screw
1296E	13912	Work Clamp Check Stop Screw, for 250553, 250555, 250558 and 250559
1330C	13854	Rapid Feed Starting Lever Operating Screw Stud
1388C	13846	Needle Thread Tension Stud
1423F	13949	Looper Thread Leader Screw
1443F	13887	Work Clamp Base Spring Screw, for 255065 and 255066
1443F	13887	Work Position Gauge Screw

No.	Plate	Name
1449U	13825	Feed Wheel Driving Pawl Spring Screw
1454E	13806	Buttonhole Cutting Knife Base Plate Screw
1454E	13806	Rapid Feed Starting Lever Set Screw, for 250181 and 255053 ...
1454E	13806	Rapid Feed Starting Trip Lever Set Screw, for 250189
1510E	13771	Rapid Feed Intermediate Gear Screw Stud Nut
1518J	13899	Feed Adjusting Gear Screw Stud Nut
1520J	13856	Cord Spool Tension Stud Nut, for 252535
1520J	13856	Needle Thread Controller Nut
1521E	13756	Buttonhole Cutting Trip Screw Stud Nut
1547J	—	Work Clamp Opening Lever Latch Releasing Screw Nut, for 253679
1550J	13891	Looper Thread Tension Releaser Nut
1550J	13891	Needle Thread Tension Releasing Adjusting Screw Nut
1550J	13891	Work Clamp Spreader Adjusting Screw Nut, for 255065 and 255066
1560C	13846	Looper Thread Tension Thumb Nut
1560C	13846	Lower Cord Tension Thumb Nut ..
1560C	13846	Needle Thread Tension Thumb Nut
1620E	13879	" " Retainer Holder Nut, for 250741 (obsolete)
1620E	13879	Needle Thread Tension Thread Guide Lock Nut (obsolete)
1636E	13847	Needle Vibrating Bell Crank Connection End Bearing (back) Ball Screw Stud Nut
1655E	13936	Rapid Feed Pawl Hinge Screw Nut
1662J	13939	Work Clamp Opening Rod Nut, for 255079
1664E	13951	Needle Thread Leader Nut
1671C	13847	" Vibrating Adjusting Stud Nut
1697C	13847	Needle Vibrating Bell Crank Connection End Bearing (front) Check Nut
1698C	13847	Buttonhole Cutting Carrier Lever Adjusting Screw Stud Nut
1698C	13847	Needle Vibrating Bell Crank Connection End Bearing (back) Check Nut

No.	Plate	Name
1819	13895	Work Clamp Opening Bell Crank Roller and Stud, for 250270
1981	13953	Work Clamp Spreader Connection Bracket Roller, for 201981
2049	13756	Buttonhole Cutting Trip Lever Position Pin
2117	13871	Buttonhole Cutter Driving Pulley Driving Pinion Pin, for 228627 ..
2117	13871	Buttonhole Cutter Driving Pulley Shaft Gear Pin, for 228627
2269	13895	Work Clamp Arm Cam Position Pin, for 255057 and 255058
2269	13895	Work Clamp Closing Lever (hand) Position Pin
2269	13895	Work Clamp Connection Lever Position Pin
2269	13895	Work Clamp Opening Lever Position Pin
2269	13895	Work Clamp Spreader Cam Crank Position Pin
2273	13947	Buttonhole Cutting Pressure Wedge Adjusting Screw Nut Pin, for 250538
2273	13947	Buttonhole Cutting Disengaging Push Rod Pin
2273	13947	Finger Starting Lever (intermediate) Operating Stud Collar Position Pin
2273	13947	Starting Rod Block Position Pin ..
7071	13856	Looper Thread Tension Releaser Nut Washer
7071	13856	Work Clamp Opening Lever Latch Spring Screw Washer, for 255065
7071	13856	Work Clamp Spreader Operating Pawl Adjusting Block Screw Washer, for 252513
7071	13856	Work Clamp Spreader Operating Fork Lever Stop Plate Screw Washer
8873	13949	Driving Wheel Position Pin
8909	13866	Wrench, for 201628 and 201660
10106	13934	Needle Thread Retainer Disc
10111	13941	Cord Spool Tension Stud Cone, for 252535
10112	13941	Cord Spool Tension Stud Cone Spring, for 252535
10145	13934	Needle Thread Guide
10147	—	Obsolete.
10249	13939	Work Clamp Opening Lever Latch Spring, for 255065

No.	Plate	Name
10875	13866	Wrench, for 201524
11119	13871	Driving Attachment Bracket Oil Tube with 29599, for 228574
11831	13866	Screw Driver, 5 in. blade (machine, large)
12400	13955	Needle Thread Retainer Sleeve, for 250741 (obsolete)
12402	13955	Needle Thread Retainer Stud, for 250741 (obsolete)
12509	13952	Needle Thread Nipping Cam Posi- tion Pin (obsolete)
12509	13952	Needle Thread Take-up Position Pin (obsolete)
12509	13952	Work Clamp Opening Cam Posi- tion Pin
13218	13937	Work Clamp Arm Spring, for 255065 and 255066
13710	13846	Needle Thread Tension Spring
14017	13856	Rapid Feed Tripping Pawl Lever Bracket Screw Washer
14017	13856	Work Clamp Closing Lever Adjust- ing Arm Screw Washer
18587	13934	Needle Thread Controller Spring Bracket Position Pin
18859	13949	Looper Thread Guide
23414	13771	Stitch Rotating Sector (upper) Position Collar with two 453c .
23421	—	Looper Bracket Dogging Hole Plug
23535	13866	Wrench, for 1697 and 1698
25029	13955	Belt Hook, for 228628
25030	13941	" " " 228629, 228630 and 228631
25200	13866	Wrench, for 1528 and 201643
25362	—	Rapid Feed Worm Ball, for 225007
27065	—	Shaft Pulley (sectional, grooved), 5 in. diam., $1\frac{3}{8}$ in. bore, with two 597c
27066	—	Shaft Pulley (sectional, grooved), 6 in. diam., $1\frac{3}{8}$ in. bore, with two 597c
27067	—	Shaft Pulley (sectional, grooved), 7 in. diam., $1\frac{3}{8}$ in. bore, with two 597c
27068	—	Shaft Pulley (sectional, grooved), 8 in. diam., $1\frac{3}{8}$ in. bore, with two 597c, for 228599, 228609 and 228611
27069	—	Shaft Pulley (sectional, grooved), 9 in. diam., $1\frac{3}{8}$ in. bore, with two 597c

No.	Plate	Name
27070	—	Shaft Pulley (sectional, grooved), 10 in. diam., $1\frac{3}{8}$ in. bore, with two 597c
27072	—	Shaft Pulley (sectional, grooved), 12 in. diam., $1\frac{3}{8}$ in. bore, with two 597c
27074	—	Shaft Pulley (sectional, grooved), 14 in. diam., $1\frac{3}{8}$ in. bore, with two 597c
27075	—	Shaft Pulley (sectional, grooved), 15 in. diam., $1\frac{3}{8}$ in. bore, with two 597c
27271	—	Shaft Pulley (sectional, grooved), 4 in. diam., $1\frac{3}{8}$ in. bore, with two 597c
29599	—	Driving Attachment Bracket Oil Tube Packing (felt), for 11119 ..
32012	13949	Looper Thread Tension Disc
32012	13949	Lower Cord Tension Disc
32012	13949	Needle Thread Tension Disc
32572	13846	" " " Releasing Disc
*38443	—	" Vibrating Bell Crank Connec- tion End Bearing (front), for 250143
*38444	—	Needle Vibrating Bell Crank Con- nection End Bearing (back), for 38446
38446	13847	Needle Vibrating Bell Crank Con- nection End Bearing 38444 with 42524, 50016c and two 175e
39504	13785	Stitch Rotating Lever Connection Screw Washer (lower), for 232764
39532	13847	Needle Vibrating Adjusting Stud Sleeve
39541	13864	Buttonhole Cutting Carrier Lever Adjusting Screw Stud Nut Wash- er
39541	13864	Stop Lever Operating Plate Screw Washer
39541	13864	Work Clamp Base Locking Spring Screw Washer
39635	13846	Needle Thread Tension Releasing Pin
39713	13934	Needle Thread Retainer Spring, for 250741 (obsolete)
40025	13864	Buttonhole Cutting Carrier Cam Position Pin
40025	13864	Buttonhole Cutting Lever (lower) Cam Position Pin

No.	Plate	Name
40025	13864	Buttonhole Cutting Lever (upper) Cam Position Pin
40025	13864	Loop Retainer Cam Position Pin, for 250003
40025	13864	Loop Retainer Slide Extension Position Pin, for 250003
40025	13864	Needle Bar Driving Crank Position Pin
40025	13864	Needle Thread Take-up Shaft Gear Position Pin (obsolete)
40025	13864	Pattern Wheel Shaft Bevel Gear Position Pin
40025	13864	Rapid Feed Clutch Roller Carrier Position Pin
40025	13864	Rapid Feed Slide Bar Collar Position Pin
40025	13864	Stitch Rotating Lever (upper) Position Pin
40025	13864	Stop Lever Crank Position Pin ...
40025	13864	" " Position Pin
40025	13864	Vertical Shaft Bevel Gear (upper) Position Pin
40043	13776	Starting Rod Collar with 209c
41125	13871	Counter Shaft Hanger Screw Washer, for 228596 and 228598
41125	13871	Driving Attachment Bracket Screw Washer, for 228627
41125	13871	Motor Base Screw Washer, for 228604
41219	—	Driving Pulley (sectional, grooved), 3 in. diam., $\frac{1}{8}$ in. bore (for Table Shaft), with two 50399E
41220	—	Driving Pulley (sectional, grooved), 3 $\frac{1}{2}$ in. diam., $\frac{1}{8}$ in. bore (for Table Shaft), with two 50399E
41221	—	Driving Pulley (sectional, grooved), 3 $\frac{1}{2}$ in. diam., $\frac{1}{8}$ in. bore (for Table Shaft), with two 50399E
41222	—	Driving Pulley (sectional, grooved), 3 $\frac{7}{8}$ in. diam., $\frac{1}{8}$ in. bore (for Table Shaft), with two 50399E
41223	—	Driving Pulley (sectional, grooved), 4 in. diam., $\frac{1}{8}$ in. bore (for Table Shaft), with two 50399E
41224	—	Driving Pulley (sectional, grooved), 4 $\frac{1}{2}$ in. diam., $\frac{1}{8}$ in. bore (for Table Shaft), with two 50399E
41228	—	Driving Pulley (sectional, grooved), 5 $\frac{1}{2}$ in. diam., $\frac{1}{8}$ in. bore, with two 50399E, for 228600 and 228606

No.	Plate	Name
*42524	—	Needle Vibrating Bell Crank Connection End Bearing (back) Cap, for 38446
*42525	—	Needle Vibrating Bell Crank Connection End Bearing (front) Cap, for 250143
42850	13866	Wrench, for 1550
50016c	13847	Needle Vibrating Bell Crank Connection End Bearing (back) Ball Screw Stud, for 38446
50027E	13815	Buttonhole Cutting Lever Bracket Arm Screw, for 250530
50031c	13946	Buttonhole Cutting Carrier Lever Adjusting Screw Stud
50058D	13785	Work Clamp Spreader Base Plate Screw
50061c	13806	Looper Thread Controlling Lever Hinge Screw
50075J	13871	Driving Attachment Belt Guard Thumb Screw, for 228627
50168E	13825	Work Clamp Carrier Feed Lever Link Block Screw
50294E	13871	Counter Shaft Hanger Screw, for 228596 and 228598
50294E	13871	Motor Base Screw, for 228604
50399E	13955	Driving Pulley Clamp Screw, for 41219 to 41224 and 41228
51046E	13941	Counter Shaft Hanger Screw, for 228596 and 228598
51046E	13941	Driving Attachment Bracket Screw for 228627
120346	13865	Oiler (copper plated) with 120347
120347	13865	" Spout, 9 in. long, for 120346
200002E	13871	Counter Shaft Hanger Belt Guard Screw, for 228596 and 228598 ...
200019E	13871	Idler Pulley Bracket Screw, for 228587
200020E	13811	Arm Screw
200047D	13811	Bed End Cover Catch Screw
200050c	13941	Machine Driving Pulley Clutch Screw, for 228627
200051E	13947	Buttonhole Cutting Driving Wheel Lock Spring Screw
200051E	13947	Work Clamp Arm Screw, for 255065 and 255066
200062H	13754	Needle Thread Tension Releasing Lever Bracket Screw (upper) ..
200070c	13825	Feed Wheel Friction Ring Bracket Screw

No.	Plate	Name
200075c	13879	Needle Thread Nipping Lever Adjusting Screw, for 250122 (obsolete)
200083E	13847	Needle Driving Bar Collar Pinch Screw, for 232176
200083E	13847	Needle Vibrating Ring Guide Stud Set Screw
200089D	13806	Buttonhole Cutting Lever Hinge Stud Set Screw, for 250464
200096D	13864	Driving Wheel Stop Cam Spring Position Screw
200097c	13805	Finger Starting Lever Screw, for 255065
200100E	13811	Arm Shaft Bushing Screw
200100E	13811	Bed Shaft Bushing (back) Screw..
200100E	13811	" " " (front) Screw ..
200100E	13811	Vertical Shaft Bushing (lower) Screw
200110D	13811	Arm Side Cover Screw
200110D	13811	Stop Lever Friction Pad Screw ...
200113F	13774	Rapid Feed Starting Lever Shaft Collar Set Screw, for 204197 and 250186
200119D	13937	Work Clamp Carrier Base Plate Slide Rod Set Screw, for 250253 and 250254
200122H	13754	Buttonhole Cutting Pressure Wedge Post Screw
200124H	13903	Needle Holder Gauge Plate Screw
200130F	13900	Loop Retainer Driving Bar Collar Pinch Screw, for 250410
200139E	13879	Needle Thread Nipping Lever Roller Cap Screw, for 250122
200159F	13941	Spool Pin Cap Screw, for 225376 ..
200161D	13942	Cord Leader (upper) Slide Screw, for 252524
200164B	13941	Thread Guide Stud Set Screw, for 225376
200186B	13762	Loop Thread and Cord Cutter Screw, for 255066
200186B	13762	Looper Thread and Cord Clamping Spring Screw, for 255066
200308c	13769	Needle Vibrating Switch Hinge Screw
200335c	13871	Belt Shifter Lever Hinge Stud Set Screw, for 228601
200341c	13946	Arm Shaft Hand Wheel Set Screw, for 232003
200342c	13871	Buttonhole Cutter Driving Pulley Position Screw, for 228618

No.	Plate	Name
200346c	13936	Needle Thread Tension Releasing Lever Bracket Adjusting Screw..
200347c	13871	Buttonhole Cutter Driving Pulley Set Screw, for 228618
200352c	13864	Counter Shaft Driving Pulley Position Screw, for 228591
200352c	13864	Counter Shaft Pulley Position Screw, for 228592
200352c	13864	Stop Lever Set Screw, for 251026..
200363c	13871	Counter Shaft Pulley Set Screw, for 228592
200363c	13871	Counter Shaft Driving Pulley Set Screw, for 228591
200364c	13946	Buttonhole Cutting Carrier Cam Set Screw, for 250020
200364c	13946	Machine Driving Pulley Collar Set Screw, for 228623
200370c	13871	Counter Shaft Oil Stop Screw, for 228593
200374c	13754	Driving Pulley Set Screw, for 228624
200378c	13955	" " Shaft Collar Set Screw, for 228626
200382c	13903	Needle Driving Bar Link Hinge Stud Set Screw, for 250105
200383c	13871	Counter Shaft Collar Set Screw, for 210833
200383c	13871	Idler Pulley Shaft Collar Set Screw, for 204246
200383c	13871	Spool Rest Rod Set Screw, for 202490
200394c	13903	Needle Bar Driving Crank Set Screw, for 250105
200395c	13949	Driving Wheel Set Screw, for 232110
200396c	13754	Driving Pulley Position Screw, for 228624
200397c	13879	Needle Thread Nipping Block Set Screw (obsolete)
200526c	13871	Belt Shifter Set Screw, for 228566
200526c	13871	Idler Pulley Shaft Set Screw, for 228644
200526c	13871	Idler Pulley Belt Guard Set Screw, for 228643
200530E	13947	Buttonhole Cutting Starting Lever Hinge Stud Set Screw
200577H	13756	Buttonhole Cutting Starting Lever Plate Screw
200589D	13955	Throat Plate Needle Thread Cutter Screw, for 250737 (obsolete)

No.	Plate	Name
200603E	13951	Rapid Feed Slide Bar Fork Connection Position Screw
200688E	13955	Needle Thread Nipping Post Guide Screw (obsolete)
201018C	13941	Spool Rest Set Screw, for 225389 and 225395
201082E	13762	Looper Frame Screw
201084C	13864	Stop Lever Interlocking Slide Adjusting Screw
201085C	13756	Buttonhole Cutting Starting Lever Restoring Screw Stud, for 250042
201097C	13826	Work Clamp Carrier Side Throw Lever Slide Block Screw Stud, for 250248
201099C	13901	Looper Carrier Link Hinge Screw
201103C	13879	Needle Thread Nipping Lever Roller Stud, for 250122 (obsolete) ..
201110D	13864	Stop Lever Spring Screw
201121D	13953	Work Clamp Spreader Plate Screw, for 255065 and 255066
201129D	13937	Work Clamp Arm Bracket Screw (back), for 255065 and 255066 ..
201144E	13825	Looper Driving Roller Cap Screw, for 201953
201144E	13825	Work Clamp Carrier Side Throw Lever Roller Cap Screw, for 201937
201148H	13952	Work Clamp Base Stop Block Screw
*201155D	—	Buttonhole Cutting Pressure Wedge Adjusting Screw, for 250538
201160E	13951	Starting Rod Spring Screw Eye ..
201176E	13901	Buttonhole Cutting Lever Bracket Gib Screw
201176E	13901	Looper Driving Crank Bushing Screw
201218E	13754	Buttonhole Cutting Starting Lever Latch Spring Screw Stud
201225C	13903	Needle Holder Slide Stud
201237E	13937	Work Clamp Arm Cam Stop Screw, for 255065 and 255066
201314C	13785	Work Clamp Spreader Operating Pawl Stop Screw
201314C	13785	Work Clamp Spreader Screw Stud
201362C	13825	Feed Wheel Screw Stud
201366C	13946	Buttonhole Cutting Carrier Lever Roller Screw Stud, for 250021 ..
201374E	13952	Work Clamp Carrier Side Throw Lever Roller Stud Cap Screw, for 250249

No.	Plate	Name
201385C	13825	Feed Wheel Driving Pawl Hinge Screw
201395D	13951	Stitch Rotating Sector (upper) Bracket Screw
201428C	13785	Feed Adjusting Gear Screw Stud..
201430C	13825	Work Clamp Carrier Side Throw Lever Lock Pin Screw Stud ...
201431C	13900	Loop Retainer Carrier Link Screw
201432C	13756	Buttonhole Cutting Trip Screw Stud
201433C	13901	Looper Carrier Hinge Screw
201434C	13903	Needle Holder Slide Lever Hinge Screw
201435C	13762	Looper Driving Disc Screw Stud, for 255035
201437C	13774	Rapid Feed Starting Trip Lever Screw Stud
201438C	13891	Work Clamp Closing Lever Hinge Screw
201440E	13879	Needle Thread Take-up Spring Screw Stud (obsolete)
201441C	13955	Rapid Feed Pawl Hinge Screw (obsolete)
201442E	13771	Stitch Rotating Lever (lower) Position Screw
201445C	13854	Rapid Feed Starting Lever Position Screw
201445E	13854	Rapid Feed Starting Trip Lever Position Screw
201446C	13774	Rapid Feed Stop Latch Hinge Screw Stud
201447C	13771	Rapid Feed Intermediate Gear Screw Stud
201448C	13771	Rapid Feed Slide Bar Fork Connection Screw Stud
201449C	13847	Needle Vibrating Bell Crank Connection End Bearing (front) Ball Screw, for 250143
201451E	13887	Work Clamp Base Spring Screw Stud
201452E	13785	Work Clamp Spreader Connection Link Hinge Screw
201453C	13953	Work Clamp Spreader Connection Hinge Screw
201454E	13774	Rapid Feed Starting Pawl Spring Screw Eye
201463D	13785	Work Clamp Spreader (right) Screw
201468H	13785	Buttonhole Cutting Shaft Hand Crank Cap Screw

No.	Plate	Name
201474E	13947	Buttonhole Cutting Knife Base Plate Adjusting Screw
201482D	13785	Needle Holder Gauge Plate Adjusting Screw
201484C	13785	Buttonhole Cutting Shaft Hand Crank Position Screw, for 232383
201522E	13825	Feed Wheel Friction Ring Adjusting Screw Lock Nut
201524E	13946	Buttonhole Cutting Carrier Lever Roller Screw Stud Nut, for 250021
201530E	13826	Work Clamp Carrier Side Throw Lever Slide Block Screw Stud Nut, for 250248
201531E	13946	Bed End Cover Catch Screw Nut ..
201531E	13946	Buttonhole Cutting Starting Lever Latch Hinge Screw Nut
201531H	13946	Work Clamp Closing Lever Roller Screw Stud Nut, for 252196
201534E	13879	Needle Thread Nipping Lever Roller Stud Nut, for 201522 (obsolete)
201535E	13879	Needle Thread Nipping Lever Adjusting Screw Nut, for 201522 (obsolete)
201537H	13937	Work Clamp Arm Cam Stop Screw Nut, for 255065 and 255066
201628E	13864	Stop Lever Interlocking Slide Adjusting Screw Nut
201643E	13825	Work Clamp Carrier Base Plate Slide Rod Nut
201658C	13901	Looper Bracket Adjusting Nut
201659C	13901	“ “ “ “ Locking Nut
201660C	13776	Stitch Regulating Gear Lock Nut..
201666E	13785	“ Rotating Lever (lower) Roller Screw Stud Nut
201667C	13771	Rapid Feed Pawl Hinge Screw Nut (obsolete)
201668E	13769	Pattern Wheel Clamping Nut
201669E	13785	Work Clamp Spreader Operating Pawl Adjusting Screw Nut
201670C	13903	Needle Holder Gauge Plate Block Adjusting Nut
201670C	13903	Needle Holder Gauge Plate Block Adjusting Nut Lock Nut
201672E	13754	Buttonhole Cutting Pressure Wedge Adjusting Screw Nut, for 250538
201696J	13941	Thread Guide Lock Nut, for 225376
201704E	13949	Looper Driving Disc Screw Stud Nut, for 255035

No.	Plate	Name
201710D	13942	Cord Spool Adjusting Thumb Nut, for 252535
201868	13825	Work Clamp Carrier Feed Lever Roller, for 201988
201869	13879	Needle Thread Nipping Lever Roller, for 201522 (obsolete)
201871	13776	Stitch Rotating Lever (lower) Roller
201873	13825	Work Clamp Carrier Side Throw Lever Roller, for 201937
201892	13946	Buttonhole Cutting Carrier Lever Roller, for 250021
201896	13900	Loop Retainer Slide Roller, for 201943
201897	13951	Rapid Feed Clutch Roller
201898	13762	Looper Driving Roller, for 201953
201937	13825	Work Clamp Carrier Side Throw Lever Roller 201873 with 201144E and 232686, for 250249
201940	13825	Work Clamp Carrier Side Throw Lever Lock Pin Roller, for 250250
201943	—	Loop Retainer Slide Roller 201896 with 250429, for 250075
201947	13891	Work Clamp Closing Lever Roller, for 201948
201948	13891	Work Clamp Closing Lever Roller 201947 with 350156E, for 252196
201953	—	Looper Driving Roller 201898 with 201144E and 250099
201956	13938	Work Clamp Closing Lever Engaging Stud Roller, for 255070
201979	13949	Looper Thread Controlling Lever Roller and Stud, for 250426
201981	13953	Work Clamp Spreader Connection Bracket Roller 1981 with 253524, for 253506
201988	—	Work Clamp Carrier Feed Lever Roller 201868 with 255075 and 350072E
202244	—	Counter Shaft Hanger Oil Packing (wick), for 228601
202244	—	Rapid Feed Worm Wheel Oil Packing (wick)
202260	—	Arm Shaft Bushing Oil Packing (wick), for 232490
202260	—	Bed Shaft Bushing (back) Oil Packing (wick), for 232002 and 232030
202260	—	Driving Pulley Shaft Bushing Oil Packing (wick), for 228571

No.	Plate	Name
202260	—	Driving Pulley Shaft Bushing Oil Packing (wick)
202260	—	Rapid Feed Crank Shaft Oil Packing (wick)
202299	—	Rapid Feed Pawl Bell Crank Oil Packing (wick), for 250170 and 253536
202490	13944	Spool Stand with 200383c, for 225376
202603	13900	Cord Leader (upper) Screw Washer, for 252524
203149	13941	Work Position Gauge Screw Washer
203172	13947	Buttonhole Cutting Shaft Hand Crank Washer
203213	13936	Buttonhole Cutting Disengaging Lever Spring
203213	13936	Rapid Feed Starting Lever Stud Spring, for 255053
204197	13774	Rapid Feed Starting Lever Shaft Collar (right) with 200113r
204235	13811	Arm Position Pin
204246	13871	Idler Pulley Shaft Collar with two 200383c
204264	13811	Bed End Cover Catch Releaser Stop Pin
204648	13759	Intermittent Feed Driving Wheel Driving Stud Position Pin, for 250590
206482	13885	Buttonhole Cutting Lever Bracket Gib Adjusting Plate Screw Washer
210750	13952	Work Clamp Closing Lever Cam Groove Protector Position Pin, for 255019
210833	13871	Counter Shaft Collar with two 200383c, for 228596 and 228598..
210933	—	Needle Driving Bar Swivel Oil Packing (wick), for 250108
214179	13941	Machine Driving Pulley Clutch Roller, for 228627
214180	13941	Machine Driving Pulley Clutch Roller Spring Plunger, for 228627
214181	13941	Machine Driving Pulley Clutch Roller Spring, for 228627
222598	—	Needle Driving Bar Link Hinge Stud Oil Packing (wick), for 232709
224392	—	Buttonhole Cutter Driving Pulley Shaft Bushing Oil Packing (wick), for 228580

No.	Plate	Name
225007	13774	Rapid Feed Worm Ball Retainer with eight 25362
225375	13940	Spool Pin (wood), for 225376
225376	—	Thread Unwinder complete, Nos. 200164b, 201696j, 202490, 225388, 225389, 225393, 225395, 250453, 250454, 250472, 350192j, three each 200159e, 225375, 225390, 232417, 232895, 232896, 232987, 250424, four 225391 and three wood screws $\frac{3}{8}$ in., No. 12
225388	13944	Spool Rest Rod (upper), for 225376
225389	13944	" " (for one spool) with 201018c, for 225376
225390	13940	Thread Cone Holder, for 225376 ..
225391	13940	" Guide, for 225376
225393	13941	" " Screw Stud Washer, for 225376
225395	13944	Spool Rest (for two spools) with 201018c, for 225376
*225483	—	Screw Driver Handle, for 250522 ..
*225484	—	" " Blade, for 225498
*225485	—	" " Handle, for 225498 ..
225498	13866	Screw Driver complete (7 $\frac{1}{2}$ in. long), Nos. 225484 and 225485 ..
226163	13776	Stitch Rotating Sector (lower) Bracket Screw Washer
226467	13776	Starting Rod Safety Lock Hinge Screw Washer
228026	13947	Buttonhole Cutting Driving Wheel Lock Spring Screw Washer
228026	13947	Finger Starting Lever Screw Washer
228026	13947	Work Clamp Closing Lever Roller Screw Stud Washer, for 252196 and 255065
228565	13870	Belt Shifter, for 228596 and 228598
228566	13870	" " Lever with 200526c, for 228596 and 228598
228567	13871	Belt Shifter Lever Hinge Stud, for 228596 and 228598
228571	13869	Driving Pulley Shaft Bushing with 202260, for 228627
228573	13870	Driving Attachment Belt Guard with 228607, for 228627
228574	13870	Driving Attachment Bracket with 11119, 228575 and four 350028c, for 228627
228575	13871	Driving Attachment Bracket Oil Cup, for 228574

No.	Plate	Name
228578	—	Driving Attachment and Idler complete, Nos. 228587 and 228627, for 228599, 228600, 228606, 228609 and 228611
228579	13869	Buttonhole Cutter Driving Pulley Shaft, for 228627
228580	13869	Buttonhole Cutter Driving Pulley Shaft Bushing with 224392, for 228627
228581	13870	Idler Pulley, for 228587
228582	—	Obsolete.
228583	—	Obsolete.
228584	13869	Idler Pulley Shaft with 228586, for 228587
228585	—	Idler Pulley Shaft Oil Wick, for 228586
228586	13869	Idler Pulley Shaft Oil Wick Wire with 228585, for 228584
228587	—	Idler complete, Nos. 228584, 228602, 228644, two each 228581, 228643 and three 200019E, for 228578 ..
228588	13870	Counter Shaft Hanger Belt Guard (double), for 228596
228590	13870	Counter Shaft Driving Pulley (loose), 5 in. diameter, for 228596 and 228598
228591	13870	Counter Shaft Driving Pulley (tight), 5 in. diam., with 200352c and 200363c, for 228596 and 228598
228592	13870	Counter Shaft Pulley, 5½ in. diam., with 200352c and 200363c, for 228596 and 228598
228593	13869	Counter Shaft (hollow) with 200370c and 228595, for 228596 and 228598
228594	—	Counter Shaft Oil Packing Wick, for 228595
228595	13869	Counter Shaft Oil Packing Wick Wire with 228594, for 228593
228596	—	Counter Shaft Hanger complete, for Old Style Power Table, Nos. 50294E, 200002E, 210833, 228565 to 228567, 228588, 228590 to 228593, 228601, 228602, 228632, two 51046E and three 41125, for 228599, 228609 and 228611
228597	13870	Counter Shaft Hanger Belt Guard (single), for 228598

No.	Plate	Name
228598	—	Counter Shaft Hanger complete, for Singer Safety Power Table, Nos. 50294E, 200002E, 210833, 228565 to 228567, 228590 to 228593, 228601, 228602, 228632, two 51046E and three 41125, for 228600 and 228606
228599	—	Driving Equipment complete, for Old Style Power Table (flat), Nos. 27068, 228578, 228596, 228628, 228631, 234342, 234344 and blue print template
228600	—	Driving Equipment complete, for Singer Safety Power Table (flat), Nos. 41228, 228578, 228598, 228628, 228630, 234342, 234344 and blue print template
228601	13870	Counter Shaft Hanger with 200335c and 202244, for 228596 and 228598
228602	13871	Counter Shaft Oil Cup, for 228596 and 228598
228602	13871	Idler Pulley Shaft Oil Cup, for 228587
228604	—	Motor Base with four each 41125 and 50294E
228605	—	Driving Equipment complete, for Individual Motor Table, Nos. 228627 to 228629
228606	—	Driving Equipment complete, for Singer Safety Power Table (trough), Nos. 41228, 228578, 228598, 228628, 228630, 234343, 234344 and blue print template..
228607	13926	Driving Attachment Belt Guard Drain Valve, for 228573
228608	—	Belt Guard, for Bridgeport Old Style Power Table (trough), with two wood screws ¾ in., No. 10, for 228609
228609	—	Driving Equipment complete, for Bridgeport Old Style Power Table (trough), Nos. 27068, 228578, 228596, 228608, 228628, 228631, 234344 and blue print template..
228610	—	Belt Guard, for E'port Old Style Power Table (trough), with two wood screws ¾ in., No. 10, for 228611 and 228613

No.	Plate	Name
228611	—	Driving Equipment complete, for E'port Old Style Power Table (trough), Nos. 27068, 228578, 228596, 228610, 228628, 228631, 234344 and blue print template.
228612	—	Driving Equipment complete, for use in connection with Electric Transmitter Motor on Power Table (flat), Nos. 228627 to 228629, 234342, 234344 and blue print template
228613	—	Driving Equipment complete, for use in connection with Electric Transmitter Motor on Power Table (E'port trough), Nos. 228610, 228627 to 228629, 234344 blue print template
228618	13926	Buttonhole Cutter Driving Pulley, 4 $\frac{3}{4}$ in. diam., with 200342c and 200347c, for 228627
228619	13926	Buttonhole Cutter Driving Pulley Driving Pinion, 16 teeth, with 454c, for 228627
228620	13926	Buttonhole Cutter Driving Pulley Shaft Gear, 48 teeth, with 448c, for 228627
228621	13926	Machine Driving Pulley (loose), 3 $\frac{1}{2}$ in. diam., for 228627
228622	13926	Machine Driving Pulley Clutch, for 228627
228623	13926	Machine Driving Pulley Collar with two 200364c, for 228627
228624	13926	Driving Pulley, 6 in. diam., with 200374c and 200396c, for 228627 ..
228625	13926	Driving Pulley Shaft, for 228627 ..
228626	13926	" " " Collar with two 200378c, for 228627
228627	—	Driving Attachment complete, Nos. 50075j, 228573, 228574, 228579, 228580, 228618 to 228626, two each 2117, 228571, three each 41125, 51046e, 200050c and 214179 to 214181, for 228578, 228605, 228612 and 228613
228628	—	Belt (gilt edge), size $\frac{3}{8}$ in. diam., length 83 in., with two 25029, for 228605, 228599, 228600, 228606, 228609, 228611, 228612 and 228613

No.	Plate	Name
228629	—	Belt (gilt edge), size $\frac{3}{8}$ in. diam., length 57 in., with 25030, for 228605, 228612 and 228613
228630	—	Belt (gilt edge), size $\frac{3}{8}$ in. diam., length 120 in., with 25030, for 228600 and 228606
228631	—	Belt (gilt edge), size $\frac{3}{8}$ in. diam., length 133 in., with two 25030, for 228599, 228609 and 228611 ..
228632	13933	Belt Shifter Locking Spring, for 228596 and 228598
228643	13954	Idler Pulley Belt Guard with 200526c, for 228587
228644	13954	Idler Pulley Bracket with 200526c, for 228587
230795	13811	Bed Shaft Bushing (back) Oil Tube Pin
232002	13749	Arm Shaft Bushing (back) with 202260
232003	13749	Arm Shaft Hand Wheel with two 200341c
232025	13811	Bed End Cover Catch
232026	13811	Bed End Cover Catch Position Pin
232030	13749	" Shaft Bushing (back) with 202260
232038	13947	Buttonhole Cutting Carrier Lever Slide Block
232043	13947	Buttonhole Cutting Driving Wheel Lock
232044	13947	Buttonhole Cutting Driving Wheel Lock Spring
232054	13754	Buttonhole Cutting Pressure Wedge Adjusting Screw Collar, for 250538
232055	13754	Buttonhole Cutting Pressure Wedge Adjusting Screw Collar Position Pin, for 250538
232055	13754	Rapid Feed Slide Bar Lock Block Position Pin
232056	13754	Buttonhole Cutting Pressure Wedge Boss, for 250039
232057	13947	Buttonhole Cutting Pressure Wedge Post with 662D and 232466
232064	13754	Buttonhole Cutting Starting Lever Latch
232065	13754	Buttonhole Cutting Starting Lever Latch Spring
232083	13937	Rapid Feed Tripping Pawl Spring
232110	13834	Driving Wheel with 200395c and two 232113

No.	Plate	Name
232112	13834	Driving Wheel Friction Gib
232113	13834	" " " " " Posi- tion Pin, for 232110
232131	13759	Feed Wheel Friction Ring Adjust- ing Screw Washer
232135	13759	Feed Wheel Friction Ring Spring
232150	13806	Buttonhole Cutting Driving Wheel Position Pin
232154	13949	Buttonhole Cutting Trip Lever Bracket Position Pin
232154	13949	Rapid Feed Tripping Pawl Lever Bracket Position Pin
232176	13903	Needle Driving Bar Collar with 200083E
232177	13903	Needle Driving Bar Bushing
232178	13903	" " " Link
232194	13879	" Thread Nipping Block (obso- lete)
232196	13879	Needle Thread Nipping Post (obso- lete)
232197	13879	Needle Thread Nipping Post Spring (obsolete)
232200	13895	Work Clamp Opening Bell Crank Spring
232244	13811	Arm Shaft Bevel Gear Position Pin
232244	13811	Bed Shaft Bushing (front) Position Pin
232244	13811	Intermittent Feed Driving Wheel Bracket Position Pin
232244	13811	Rapid Feed Worm Position Pin ..
232260	—	Obsolete.
232262	13777	Stop Lever Bracket
232263	13864	" " Friction Pad (rawhide)
232265	13864	" " Interlocking Slide Screw Washer
232270	13762	Looper Thread and Cord Clamping Spring (long), for 255066
232271	13762	Looper Thread and Cord Clamping Spring (short), for 255066
232272	13762	Looper Thread and Cord Cutter, for 255066
232304	13951	Work Clamp Base Hinge Stud, for 253496 and 253497
232306	13952	Work Clamp Base Spring (front), for 255065 and 255066
232309	13952	Work Clamp Base Stop Block
232310	13887	" " " " " Posi- tion Pin
232311	13952	Work Clamp Base Spring (front) Catch, for 255065 and 255066 ...

No.	Plate	Name
232312	13953	Work Clamp Spreader Plate, for 255065 and 255066
232321	13826	Work Clamp Carrier Side Throw Lever Slide Block
232343	13756	Buttonhole Cutting Trip Lever Safety Lever Position Pin
232343	13756	Needle Vibrating Rod Guide Posi- tion Pin
232343	13756	Needle Vibrating Ring Position Pin
232380	13885	Buttonhole Cutting Lever Bracket Gib Adjusting Plate
232382	13756	Feed Wheel Driving Pawl Spring Pin, for 250056
232383	13815	Buttonhole Cutting Shaft Hand Crank with 201484C
232417	13940	Spool Pin, for 225376
232420	13769	Needle Vibrating Ring with 462C..
232421	13769	" " " Guide Stud..
232462	13826	Work Clamp Carrier Base Plate Slide Rod
232466	13754	Buttonhole Cutting Pressure Wedge Adjusting Screw Lock Spring, for 232057
232482	13754	Buttonhole Cutting Lever Spring Bracket (upper), for 250033
232483	13754	Buttonhole Cutting Lever Spring Bracket (upper) Pin, for 250033..
232486	13865	Threader Wire (large)
232488	13749	Arm Shaft
232489	13946	" " Bevel Gear (order Posi- tion Screw or Set Screw as re- quired)
232490	13749	Arm Shaft Bushing (front) with 202260
232495	13749	Bed Shaft Bevel Gear (order Posi- tion Screw or Set Screw as re- quired) (obsolete)
232495	13749	Vertical Shaft Bevel Gear (obso- lete)
232513	13754	Buttonhole Cutting Shaft Pulley Bushings
232515	13951	Looper Thread Tension Spring ...
232515	13951	Lower Cord Tension Spring
232516	13948	Looper Thread Tube (brass)
232516	13948	Lower Cord Tube (brass)
232517	13952	Looper Thread Tube Bracket
232520	13948	Face Plate
232521	13949	Feed Adjusting Gear
232531	13955	Rapid Feed Clutch Roller Spring (obsolete)

No.	Plate	Name
232532	13751	Feed Wheel Ring
232539	13759	Intermittent Feed Driving Wheel with two 465c
232541	13759	Intermittent Feed Driving Wheel Position Pin
232542	13899	Intermittent Feed Driving Wheel Shaft
232555	13949	Looper Bracket Rotating Gear with 906E
232591	13861	Stitch Rotating Lever (upper) with 448c
232592	13776	Stitch Rotating Lever Connection (rear section) (upper), for 250400
232593	13776	Stitch Rotating Lever Connection (front section) (upper), for 250400
232597	13861	Stitch Rotating Sector (lower) Bracket
232599	13861	Stitch Rotating Sector (upper) Bracket
232600	13771	Pattern Wheel Shaft Collar with two 453c
232600	13771	Rapid Feed Crank Shaft Collar with two 453c
232673	13955	Needle Thread Take-up Shaft Gear (obsolete)
232678	13951	Work Clamp Base Locking Spring (left)
232679	13951	Work Clamp Base Locking Spring (right)
232686	13826	Work Clamp Carrier Side Throw Lever Roller Stud, for 201937 ...
232709	13903	Needle Driving Bar Link Hinge Stud with 222598
232710	13777	Vertical Shaft Bushing (upper) ..
232717	13776	Stitch Rotating Lever Connection Screw Washer (upper), for 250400
232718	13815	Buttonhole Cutting Starting Lever Hinge Stud
232719	13946	Bed Shaft Bevel Gear Position Pin
232719	13946	Rapid Feed Crank Shaft Gear Posi- tion Pin
232719	13946	Vertical Shaft Bevel Gear (lower) Position Pin
232721	13899	Feed Driving Gear (intermediate) Position Pin
232721	13899	Intermittent Feed Driving Wheel Shaft Gear Position Pin
232724	13947	Buttonhole Cutting Driving Wheel Lock Stop Plate
232725	13811	Belt Guard

No.	Plate	Name
232764	—	Stitch Rotating Lever Connection (lower) complete, Nos. 232807, 232808, two each 172D and 39504
232792	13932	Needle Thread Leader
232807	13785	Stitch Rotating Lever Connection (front section) (lower), for 232764
232808	13785	Stitch Rotating Lever Connection (rear section) (lower), for 232764
232817	13947	Buttonhole Cutting Shaft Pulley Stud, for 255019
232821	13811	Bed Shaft Bushing (back) Oil Tube (brass)
232866	13949	Looper Frame Position Pin
232870	13874	Knife Trueing Fixture Base with 448c, for 232871
232871	—	Knife Trueing Fixture Base 232870 with 59D, 232872 and 232876, for 232878
232872	13874	Knife Trueing Fixture Knife Clamp- ing Lever, for 232871
232873	13874	Knife Trueing Fixture Oil Stone, for 232875
232874	13874	Knife Trueing Fixture Oil Stone Bracket with three 448c, for 232875
232875	—	Knife Trueing Fixture Oil Stone Bracket 232874 with 232873 and 232877, for 232878
232876	13874	Knife Trueing Fixture Oil Stone Bracket Shaft, for 232871
232877	13874	Knife Trueing Fixture Oil Stone Set Screw Friction Gib, for 232875
232878	—	Singer Knife Trueing Fixture com- plete, Nos. 232871 and 232875 ...
232879	—	Shaft Pulley (sectional, grooved), 5½ in. diam., 1⅜ in. bore, with two 597c
232880	—	Shaft Pulley (sectional, grooved), 6½ in. diam., 1⅜ in. bore, with two 597c
232881	—	Shaft Pulley (sectional, grooved), 7½ in. diam., 1⅜ in. bore, with two 597c
232882	—	Shaft Pulley (sectional, grooved), 8½ in. diam., 1⅜ in. bore, with two 597c
232883	—	Shaft Pulley (sectional, grooved), 9½ in. diam., 1⅜ in. bore, with two 597c

No.	Plate	Name
232895	13940	Thread Unwinder Spool Pin Arm with 759E, for 225376
232896	13940	Thread Unwinder Spool Pin Arm Bracket with two 448c, for 225376
232900	13866	Wrench, for 201362 and 201668
232920	—	Shaft Pulley (sectional, grooved), 4½ in. diam., 1⅞ in. bore, with two 597c
232935	13866	Wrench, for 201658, 201659 and 201670
232982	—	Machine Rest Cushion (leather), for 250408
232987	13944	Thread Unwinder Spool Rest Cushion (felt), for 225376
234342	—	Front Plank Extension (back) with two wood screws 1½ in., No. 10, for flat table, for 228599, 228600 and 228612
234343	—	Front Plank Extension (back) with three wood screws 1½ in., No. 10 and six 1½ in. wire nails, for Singer Safety Power Table (trough), for 228606
234344	—	Front Plank Extension (front) with two wood screws 2½ in., No. 12 and three wood screws 1¾ in., No. 12, for 228599, 228600, 228606, 228609, 228611, 228612 and 228613
*250001	—	Arm
250002	13749	" Side Cover
*250003	—	Bed with 250078, 255509 to 255512, two each 127D, 40025 and eight 1094E
250004	13865	Bed Cushion (leather) (back), for 250018 and 250019
250006	13865	Bed Cushion (leather) (front), for 250018 and 250019
250007	13865	Bed Cushion (rawhide) (inside), for 250018 and 250019
250008	13865	Bed Cushion (rawhide) (outside), for 250018 and 250019
250009	—	Bed End Cover
250010	13811	" " " Catch Releaser
250011	13811	" " " Support (left)
250012	13811	" " " " (right)
250013	—	" Extension
250014	13751	" Shaft
250015	13749	" " Bushing (front)
250017	13946	" " Collar with two 1258E ..

No.	Plate	Name
250018	13865	Bed Support (left) with 250004, 250006, 250008, two 250007 and six 158E
250019	13865	Bed Support (right) with 250004, 250006, 250008, two 250007 and six 158E
250020	13818	Buttonhole Cutting Carrier Cam with 200364c
250021	13818	Buttonhole Cutting Carrier Lever with 990D, 201366c, 201524E and 201892
250022	13946	Buttonhole Cutting Carrier Lever Adjusting Screw Stud Sleeve ..
250023	13946	Buttonhole Cutting Disengaging Lever
250027	—	Buttonhole Cutting Knife Adjusting Block
250030	13885	Buttonhole Cutting Knife Clamping Plate
250031	13751	Buttonhole Cutting Lever (lower), for 251267
250032	13815	Buttonhole Cutting Lever (lower) Cam with 453c
250033	13815	Buttonhole Cutting Lever (upper) with 232482, 250468, 350111c and two 232483
250036	13885	Buttonhole Cutting Lever Bracket Gib (left)
250037	13885	Buttonhole Cutting Lever Bracket Gib (right)
250038	13754	Buttonhole Cutting Lever Hinge Stud
250039	13754	Buttonhole Cutting Pressure Wedge with 232056
250040	13815	Buttonhole Cutting Shaft
250041	—	Obsolete.
250042	13815	Buttonhole Cutting Starting Lever with 201085c
250043	13756	Buttonhole Cutting Starting Lever Plate
250044	13756	Buttonhole Cutting Starting Lever Spring
250045	13756	Buttonhole Cutting Trip Lever with 460c
250046	13756	Buttonhole Cutting Trip Lever Bracket
250047	13756	Buttonhole Cutting Trip Lever Safety Lever with 237F
250048	13756	Buttonhole Cutting Trip Lever Shaft

No.	Plate	Name
250049	13756	Buttonhole Cutting Trip Lever Spring
250050	13834	Driving Wheel (loose)
250052	13758	Feed Adjusting Gear Bracket
250053	13758	" " " " Clamp- ing Post
250054	13758	Feed Driving Gear (intermediate) with 457c
250055	13899	Feed Driving Gear (intermediate) Shaft
250056	13751	Feed Wheel with three 232382 ...
250057	13825	" " Driving Pawl
250058	13825	" " " " Spring ..
250059	13758	" " Friction Ring Bracket
250060	13758	" " " " Section (long)
250061	13758	Feed Wheel Friction Ring Section (short)
250062	13759	Feed Wheel Ring Gib
250063	13759	Intermittent Feed Driving Wheel Shaft Gear with 465c
250064	13900	Loop Retainer (left)
250065	13900	" " " Carrier
250067	13900	" " (right) Carrier
250068	13900	" " Adjusting Block
250070	13900	" " Carrier Link
250071	13900	" " " Shaft
250072	13900	" " " " Collar (ob- solete)
250073	13900	Loop Retainer Driving Bar
250074	13900	" " Shim (.005 in. thick)
250075	13758	" " Slide with 201943
250076	13900	" " " Gib (lower)
250077	13900	" " " " (upper) ...
*250078	—	" " " Guide Extension, for 250003
250080	13901	Looper (threaded)
250081	13758	" Bracket with 735E
250082	13842	" " Frame Chip Guard ...
250084	13949	" " Rotating Gear Posi- tion Pin
250085	13901	Looper Carrier
250086	13901	" " Link
250087	13901	" Driving Bar
250088	13901	" " Connection with 1120c, 250471 and two 233D
250089	13901	Looper Driving Connection Slide Rod
250090	13901	Looper Driving Connection Slide Rod Bushing (lower)

No.	Plate	Name
250091	13901	Looper Driving Connection Slide Rod Bushing (upper)
250092	13901	Looper Driving Crank
250094	13762	" " " Gear with 735E
250095	13762	" " " " Position Pin
250096	13762	Looper Driving Crank Link
250097	13762	" " Disc, for 255035
250098	13762	Looper Driving Gear
250099	13762	" " Roller Stud, for 201953
*250100	—	" Frame
250101	13762	" Screw Washer
250102	13949	" Thread Leader
250105	13903	Needle Bar Driving Crank with 200394c and two 200382c
250106	13903	Needle Driving Bar
250108	13903	" " " Swivel with 210933
250111	13951	Needle Holder Gauge Plate
250112	13903	" " " " Block..
250113	—	" " Slide (obsolete)
250114	13903	" " " Lever with 255056
250115	13903	" " " Stud
250116	13903	" " " " " Screw Washer
250117	13951	Needle Rotating Gear with 735E ..
250118	13951	" " " Key
250119	13934	" Thread Guide
250120	13879	" " Nipping Cam with 460c (obsolete)
250122	13875	Needle Thread Nipping Lever with 200075c, 200139E, 201103c, 201534E, 201535E, 201869 and 250123 (obso- lete)
250123	13875	Needle Thread Nipping Lever Rol- ler Stud Washer, for 250122 (ob- solete)
Nos. 250126 to 250136 (obsolete)		
250126	13879	Needle Thread Take-up with 735c
250127	13879	" " " Shaft
250128	13875	" " " Bracket
250129	13875	" " " Spring
250130	13875	" " " " Stop Plate
250131	13875	Needle Thread Take-up Thread Guide
250132	13875	Needle Thread Take-up Thread Guide Hinge Pin

No.	Plate	Name
250133	13875	Needle Thread Take-up Thread Guide Spring Latch
250134	13875	Needle Thread Take-up Thread Stripper
250135	13875	Needle Thread Tension Releaser Arm
250136	13875	Needle Thread Tension Releaser Arm Plate
250139	13875	Needle Thread Tension Thread Guide (obsolete)
250140	13848	Needle Vibrating Adjusting Link..
250141	13848	" " Bell Crank
250142	13848	" " " " Connection
250143	13847	" " " " " "
		End Bearing 38443 with 42525, 201449c and two 175e
250144	13848	Needle Vibrating Lever
250145	13769	" " Rod
250146	13769	" " " Guide with 1230e
250147	13769	" " Switch
250148	13769	Pattern Wheel Position Stud, for 250149
250149	13770	Pattern Wheel Shaft with 250148..
250150	13770	" " " Bevel Gear with 168d
250151	13770	Pattern Wheel Shaft Bushing (left)
250152	13770	" " " " (right)
250153	13770	Rapid Feed Clutch Roller Retainer
250154	13770	" " " Disengaging Lever
250155	13770	Rapid Feed Clutch Disengaging Sleeve (obsolete)
250156	13770	Rapid Feed Clutch Driving Disc ..
250157	13770	" " " Roller Carrier with 624e (obsolete)
250158	13950	Rapid Feed Crank Shaft
250159	13950	" " " " Bushing (back)
250160	13771	Rapid Feed Crank Shaft Bushing (back) Oil Tube (lower) (brass)
250161	13950	Rapid Feed Crank Shaft Bushing (front)
250162	—	Obsolete.
250163	13852	Rapid Feed Driving Gear
250164	13852	" " Gear Guard
250167	13852	" " Intermediate Gear Screw Stud Nut Washer
250170	13771	Rapid Feed Pawl Bell Crank with 202299 (obsolete)

No.	Plate	Name
250171	13771	Rapid Feed Pawl Bell Crank Slide Block Section
250172	13771	Rapid Feed Pawl Guide
250173	13852	" " Slide Bar (obsolete) ..
250174	13775	" " " " Bushing (left)
250175	13775	" " " " " (right)
250176	13775	" " " " Fork Connection with 889c (obsolete)
250177	—	Obsolete.
250180	13854	Rapid Feed Starting Latch
250181	13854	" " " Lever with 1454e
250185	13775	" " " " Shaft
250186	13774	" " " " Collar (left) with 200113f
250188	13774	Rapid Feed Slide Bar Spring (obsolete)
250188	13774	Rapid Feed Starting Pawl Spring..
250189	13775	" " " Trip Lever with 1454e
250190	—	Obsolete.
250191	—	Obsolete.
250192	—	Obsolete.
250193	—	No. cancelled, order 250188.
250194	13774	Rapid Feed Stop Trip Lever
250195	13775	" " Worm with 453c
250196	13775	" " " Ball Bearing Cup
250197	13775	" " " Wheel
250198	13775	" " " " Collar with two 453c
250199	13775	Starting Bell Crank
250200	13774	" Latch
250201	13774	" Spring
250202	13775	" Rod
250203	13774	" " Block with 203e
250204	13776	" " Lock
250205	13776	" " " Spring
250206	13776	" " " " Screw Washer
250207	13776	Starting Rod Safety Lock
250210	—	Stitch Regulating Gear, 22 teeth ..
250211	—	" " " 26 teeth ..
250212	13776	" " " 28 teeth ..
250213	13899	" " " 33 teeth ..
250214	13899	" " " 34 teeth ..
250215	13861	" Rotating Lever (lower) with 458c
250216	13861	Stitch Rotating Sector (lower) ...
250217	13861	" " " (upper)

No.	Plate	Name
250218	13777	Stop Lever Crank with 453c
250219	13777	" " Link
250220	13777	" " " Connection
250221	13864	Stop Lever Link Connection Locking Pin
250222	13864	Stop Lever Link Connection Locking Pin Spring
250223	13777	Stop Lever Operating Lever
250224	13864	" " " Plate
250225	13777	" " Shaft
250227	13777	Vertical Shaft Bevel Gear (upper) (order Position Screw or Set Screw as required)
250236	13948	Work Clamp Base (left) Guard, for 255065
250238	13948	Work Clamp Base (right) Guard, for 255066
250239	13948	Work Clamp Base Clamping Plate (left), for 255065
250240	13948	Work Clamp Base Clamping Plate (right), for 255066
250241	13887	Work Clamp Base Spring (left), for 255065
250242	13887	Work Clamp Base Spring (right), for 255066
250244	13826	Work Clamp Carrier Feed Lever
250245	13825	" " " " "
250246	13825	Work Clamp Carrier Feed Lever Link Block
250248	13954	Work Clamp Carrier Side Throw Lever (lower section) with 201097c and 201530E
250249	13954	Work Clamp Carrier Side Throw Lever (upper section) with 201374E and 201937
250250	13825	Work Clamp Carrier Side Throw Lever Lock Pin with 201940 and 350072E
250251	13825	Work Clamp Carrier Side Throw Lever Lock Pin Spring
250252	13826	Work Clamp Carrier Side Throw Lever Slide Block Guide
250253	13954	Work Clamp Carrier Slide (left) with 200119D
250254	13954	Work Clamp Carrier Slide (right) with 200119D
250255	13954	Work Clamp Carrier Slide Stay Plate

No.	Plate	Name
250261	13891	Work Clamp Closing Lever Disengaging Block
250263	13823	Work Clamp Closing Lever Engaging Stud Latch
250264	13891	Work Clamp Closing Lever Engaging Stud Latch Spring
250265	13891	Work Clamp Closing Lever Engaging Stud Spring
250266	13887	Work Clamp Closing Lever (hand) with 209E, for 255058
250267	13891	Work Clamp Closing Lever Spring
250268	13887	" " Connection Lever (left) with 209E, for 255057
250270	13950	Work Clamp Opening Bell Crank with 1819
250273	—	Obsolete.
250274	13895	Work Clamp Opening Rod Guide with 808D
250275	13895	Work Clamp Opening Stop (adjustable), for 255066
250276	13952	Work Clamp Spreader (left)
250277	13952	" " " (right)
250279	13954	" " " Base Plate
250281	13953	" " " Connection Link (left)
250285	13785	Work Clamp Spreader Operating Pawl, for 252513
250286	13785	Work Clamp Spreader Operating Pawl Spring
250287	13785	Work Clamp Spreader Releaser, for 255079
250288	—	Drip Pan
250289	13866	Wrench
250290	13818	Buttonhole Cutting Driving Wheel with 446E
250291	13954	Driving Wheel Stop Cam (obsolete)
250359	—	Pattern Wheel, for 5 in. Eye and Straight Buttonhole (large eye), for 250360
250360	—	Pattern Wheel, for 5 in. Eye and Straight Buttonhole (large eye), complete, Nos. 250359, 255024, two each 203E, 250372 and three 391D
250361	—	Pattern Wheel, for 3 in. Eye and Straight Buttonhole (large eye), for 250362
250362	—	Pattern Wheel, for 3 in. Eye and Straight Buttonhole (large eye), complete, Nos. 250361, 255025, two each 203E, 250372 and three 391D

No.	Plate	Name
250363	—	Pattern Wheel, for 1 in. Eye and Straight Buttonhole (large eye), for 250364
250364	—	Pattern Wheel, for 1 in. Eye and Straight Buttonhole (large eye), complete, Nos. 250363, 255028, two each 203E, 250372 and three 391D
250365	—	Pattern Wheel, for 1½ in. Eye and Straight Buttonhole (large eye), for 250366
250366	—	Pattern Wheel, for 1½ in. Eye and Straight Buttonhole (large eye), complete, Nos. 250365, 255033, two each 203E, 250372 and three 391D
250367	—	Pattern Wheel, for 1¼ in. Eye and Straight Buttonhole (large eye), for 250368
250368	—	Pattern Wheel, for 1¼ in. Eye and Straight Buttonhole (large eye), complete, Nos. 250367, 255030, two each 203E, 250372 and three 391D
250369	—	Pattern Wheel, for 1¼ in. Eye and Straight Buttonhole (large eye), for 250370
250370	—	Pattern Wheel, for 1¼ in. Eye and Straight Buttonhole (large eye), complete, Nos. 250369, 255031, two each 203E, 250372 and three 391D
250371	13769	Pattern Wheel Cam Block, for 250562, 250564, 250566, 250568, 250570, 250572 and 250574
250372	13769	Pattern Wheel Rapid Feed Trip Point
250376	—	Pattern Wheel Ring, for 255024 ..
250378	—	" " " " 255025 ..
250379	—	" " " " 255026 ..
250380	—	" " " " 255027 ..
250382	13948	" " " " 255028 ..
250383	—	" " " " 255029 ..
250384	—	" " " " 255030 ..
250386	—	" " " " 255031 ..
250388	—	" " " " 255032 ..
250390	—	" " " " 255033 ..
250394	13861	Stitch Rotating Lever Rock Shaft
*250395	—	Intermittent Feed Driving Wheel Bracket
250396	13777	Vertical Shaft Bushing (lower) ..
250397	13811	Bed Extension Position Pin
250398	13774	Rapid Feed Driving Gear Key

No.	Plate	Name
250399	13879	Needle Thread Take-up Shaft Bracket Position Pin (obsolete)
250400	—	Stitch Rotating Lever Connection (upper) complete, Nos. 232592, 232593, 232717 and two 193D
250402	13865	Wrench, for 201442 and 201445 ...
250403	—	Pattern Wheel Cabinet
250404	13864	Stop Lever Spring
250405	13771	Rapid Feed Intermediate Gear Screw Stud Washer
250406	13771	Work Clamp Closing Lever Disengaging Block Shim (.005 in. thick)
250407	13771	Work Clamp Closing Lever Disengaging Block Shim (.010 in. thick)
250408	13865	Machine Rest (high) with 232982 and two wood screws 1 in., No. 13
250409	13774	Rapid Feed Slide Bar Lock Spring
250409	13774	" " Starting Lever Spring
250410	13900	Loop Retainer Driving Bar Collar with 200130F
250412	13865	Threader Wire (small)
250415	—	Stitch Regulating Gear, 38 teeth ..
250416	13864	Stop Lever Interlocking Slide Spring
250417	13806	Driving Wheel Stop Cam Spring ..
250418	13805	Finger Starting Lever with 250435 and 250436, for 255065
250419	13805	Finger Starting Lever Hinge Block for 255065
250420	13805	Finger Starting Lever (intermediate)
250423	13805	Starting Rod Spring
250424	13806	Spool Pin Cap, for 225376
250425	13806	Looper Thread Controlling Cam ..
250426	13806	" " " Lever with 201979
250427	13806	Looper Thread Controlling Lever Bracket
250428	13806	Looper Thread Controlling Lever Spring
250429	13806	Loop Retainer Slide Roller Stud, for 201943
250430	—	Obsolete.
250431	—	Obsolete.
250432	13856	Rapid Feed Tripping Pawl Lever Bracket
250435	13805	Finger Starting Lever Stud (back), for 250418
250436	13805	Finger Starting Lever Stud (front), for 250418

No.	Plate	Name
250439	13937	Work Clamp Base Retaining Stud, for 253502
250443	13952	Pattern Wheel Ring Adjusting Segment
250444	13951	Lower Cord Leader Screw Washer
250444	13951	Pattern Wheel Ring Adjusting Segment Screw Washer, for 251427, 251428 and 251430
250446	13901	Looper Driving Crank Bushing ...
250447	13951	Throat Plate Adjusting Block
250448	13951	" " for flat purl
250449	13900	Loop Retainer Shim (.010 in. thick)
250450	13900	" " (.020 in. thick)
250451	13946	Bed Shaft Bushing (front) Oil Tube Bracket
250451	13946	Lower Cord Tube Bracket
250452	13852	Rapid Feed Crank Shaft Gear with 458c
250453	13944	Spool Rest Rod (lower), for 225376
250454	13940	" " Coupling with two 456c, for 225376
250456	13947	Buttonhole Cutting Starting Lever Safety Plate
250461	---	Buttonhole Cutting Knife (.126 x .180 eye)
250462	13949	Looper Frame Chip Guard
250464	13815	Buttonhole Cutting Lever Bracket with 200089b, for 250530
250465	13815	Buttonhole Cutting Lever Bracket Arm, for 250530
250466	13946	Buttonhole Cutting Knife (straight)
250467	13946	" " (.100 x .180 eye)
250468	13946	Buttonhole Cutting Block Pinch Screw Washer, for 250033
250471	13901	Looper Driving Connection Plate, for 250088
250472	13940	Thread Unwinder Thread Cop Holder, for 225376
250473	13899	Feed Adjusting Gear Bracket Clamping Screw Washer
250474	13947	Buttonhole Cutting Knife Base Plate
250475	13947	Buttonhole Cutting Knife Clamping Lever
250478	---	Stitch Regulating Gear, 42 teeth..
250491	13949	Loop Retainer Screw Washer
250495	13951	Rapid Feed Crank Shaft Bushing (back) Oil Tube (upper) (brass)

No.	Plate	Name
250497	13942	Cord Leader (upper) Gib, for 252524
250498	13942	" " (upper) Slide, for 252524
250499	13942	" " " " Cap Plate, for 252524
250500	13942	Cord Leader (upper) Slide Spring, for 252524
250512	13912	Work Clamp Check Extension (left), for 250554
250513	13912	Work Clamp Check Extension (right), for 250556
250518	13942	Thread Lubricating Cup with 171E, 250519 and 250520
250519	---	Thread Lubricating Cup Oil Pad, for 250518
250520	---	Thread Lubricating Cup Thread Guide, for 250518
*250521	---	Screw Driver Blade, for 250522 ...
250522	13866	Screw Driver complete (for needle set screw), Nos. 225483 and 250521
250523	13948	Work Clamp Arm (left), for 255065
250524	13948	" " (right), for 255066
250525	13948	" " Bracket (left), for 255057
250526	13948	Work Clamp Arm Bracket (right), for 255058
250528	13937	Work Clamp Arm Cam Shaft (right), for 255058
250529	13887	Work Clamp Connection Lever (right) with 209E, for 255058 ..
250530	---	Buttonhole Cutting Lever Bracket complete, Nos. 250464, 250465 and two 50027E
250534	13852	Rapid Feed Intermediate Gear (bronze)
250535	---	Obsolete.
250537	13900	Loop Retainer Shim (.030 in. thick)
250538	13947	Buttonhole Cutting Pressure Wedge Adjusting Screw 201155D with 2273, 201672E, 232054 and 232055
250543	13950	Stitch Regulating Gear Holder
250551	13895	Work Clamp Opening Lever with 1253c, for 255057
250552	13937	Work Clamp Arm Cam Shaft (left), for 255057
250553	13912	Work Clamp Check (left) with 1296E, for 250554
250554	---	Work Clamp Check (left) complete, Nos. 250512, 250553 and two 229D
250555	13912	Work Clamp Check (right) with 1296E, for 250556

No.	Plate	Name
250556	—	Work Clamp Check (right) complete, Nos. 250513, 250555 and two 229D
250558	13887	Work Clamp Check (left) with 1296E, for 255065
250559	13887	Work Clamp Check (right) with 1296E, for 255066
250560	13937	Throat Plate Screw Washer
250561	—	Pattern Wheel, for $\frac{5}{8}$ in. Taper Bar (large eye) Buttonhole, bar adjustable from $\frac{1}{4}$ to $\frac{3}{4}$ in., for 250562
250562	—	Pattern Wheel, for $\frac{5}{8}$ in. Taper Bar (large eye) Buttonhole, bar adjustable from $\frac{1}{4}$ to $\frac{3}{4}$ in., complete, Nos. 250371, 250561, 251425, two each 175E, 203E, 250372 and three 391D
250563	—	Pattern Wheel, for $\frac{3}{4}$ in. Taper Bar (large eye) Buttonhole, bar adjustable from $\frac{1}{4}$ to $\frac{3}{4}$ in., for 250564
250564	—	Pattern Wheel, for $\frac{3}{4}$ in. Taper Bar (large eye) Buttonhole, bar adjustable from $\frac{1}{4}$ to $\frac{3}{4}$ in., complete, Nos. 250371, 250563, 251426, two each 175E, 203E, 250372 and three 391D
250565	—	Pattern Wheel, for $\frac{3}{4}$ in. Taper Bar (large eye) Buttonhole, bar adjustable from $\frac{1}{4}$ to $\frac{3}{4}$ in., for 250566
250566	—	Pattern Wheel, for $\frac{3}{4}$ in. Taper Bar (large eye) Buttonhole, bar adjustable from $\frac{1}{4}$ to $\frac{3}{4}$ in., complete, Nos. 250371, 250565, 251427, two each 175E, 203E, 250372 and three 391D
250567	—	Pattern Wheel, for 1 in. Taper Bar (large eye) Buttonhole, bar adjustable from $\frac{1}{4}$ to $\frac{3}{4}$ in., for 250568
250568	—	Pattern Wheel, for 1 in. Taper Bar (large eye) Buttonhole, bar adjustable from $\frac{1}{4}$ to $\frac{3}{4}$ in., complete, Nos. 250371, 250567, 251428, two each 175E, 203E, 250372 and three 391D
250569	—	Pattern Wheel, for $1\frac{1}{4}$ in. Taper Bar (large eye) Buttonhole, bar adjustable from $\frac{1}{4}$ to $\frac{3}{4}$ in., for 250570

No.	Plate	Name
250570	—	Pattern Wheel, for $1\frac{1}{4}$ in. Taper Bar (large eye) Buttonhole, bar adjustable from $\frac{1}{4}$ to $\frac{3}{4}$ in., complete, Nos. 250371, 250569, 251430, two each 175E, 203E, 250372 and three 391D
250571	—	Pattern Wheel, for $1\frac{1}{4}$ in. Taper Bar (large eye) Buttonhole, bar adjustable from $\frac{1}{4}$ to $\frac{3}{4}$ in., for 250572
250572	—	Pattern Wheel, for $1\frac{1}{4}$ in. Taper Bar (large eye) Buttonhole, bar adjustable from $\frac{1}{4}$ to $\frac{3}{4}$ in., complete, Nos. 250371, 250571, 251430, two each 175E, 203E, 250372 and three 391D
250573	—	Pattern Wheel, for $1\frac{1}{2}$ in. Taper Bar (large eye) Buttonhole, $\frac{1}{4}$ in. adjustable bar, for 250574
250574	—	Pattern Wheel, for $1\frac{1}{2}$ in. Taper Bar (large eye) Buttonhole, $\frac{1}{4}$ in. adjustable bar, complete, Nos. 250371, 250573, 251430, two each 175E, 203E, 250372 and three 391D
250575	—	Pattern Wheel, for $\frac{5}{8}$ in. Taper Bar (medium eye) Buttonhole, bar adjustable from $\frac{1}{4}$ to $\frac{3}{4}$ in., for 250576
250576	—	Pattern Wheel, for $\frac{5}{8}$ in. Taper Bar (medium eye) Buttonhole, bar adjustable from $\frac{1}{4}$ to $\frac{3}{4}$ in., complete, Nos. 250575, 251425, two each 203E, 250372 and three 391D
250577	—	Pattern Wheel, for $\frac{3}{4}$ in. Taper Bar (medium eye) Buttonhole, bar adjustable from $\frac{1}{4}$ to $\frac{3}{4}$ in., for 250578
250578	—	Pattern Wheel, for $\frac{3}{4}$ in. Taper Bar (medium eye) Buttonhole, bar adjustable from $\frac{1}{4}$ to $\frac{3}{4}$ in., complete, Nos. 250577, 251426, two each 203E, 250372 and three 391D
250579	—	Pattern Wheel, for $\frac{3}{4}$ in. Taper Bar (medium eye) Buttonhole, bar adjustable from $\frac{1}{4}$ to $\frac{3}{4}$ in., for 250580
250580	—	Pattern Wheel, for $\frac{3}{4}$ in. Taper Bar (medium eye) Buttonhole, bar adjustable from $\frac{1}{4}$ to $\frac{3}{4}$ in., complete, Nos. 250579, 251427, two each 203E, 250372 and three 391D
250581	—	Pattern Wheel, for 1 in. Taper Bar (medium eye) Buttonhole, bar adjustable from $\frac{1}{4}$ to $\frac{3}{4}$ in., for 250582

No.	Plate	Name
250582	—	Pattern Wheel, for 1 in. Taper Bar (medium eye) Buttonhole, bar adjustable from $\frac{1}{4}$ to $\frac{3}{8}$ in., complete, Nos. 250581, 251428, two each 203E, 250372 and three 391D
250583	—	Pattern Wheel, for 1 $\frac{1}{4}$ in. Taper Bar (medium eye) Buttonhole, bar adjustable from $\frac{1}{4}$ to $\frac{3}{8}$ in., for 250584
250584	—	Pattern Wheel, for 1 $\frac{1}{4}$ in. Taper Bar (medium eye) Buttonhole, bar adjustable from $\frac{1}{4}$ to $\frac{3}{8}$ in., complete, Nos. 250583, 251430, two each 203E, 250372 and three 391D
250585	—	Pattern Wheel, for 1 $\frac{1}{4}$ in. Taper Bar (medium eye) Buttonhole, bar adjustable from $\frac{1}{4}$ to $\frac{1}{2}$ in., for 250586
250586	—	Pattern Wheel, for 1 $\frac{1}{4}$ in. Taper Bar (medium eye) Buttonhole, bar adjustable from $\frac{1}{4}$ to $\frac{1}{2}$ in., complete, Nos. 250585, 251430, two each 203E, 250372 and three 391D
250587	—	Pattern Wheel, for 1 $\frac{3}{8}$ in. Taper Bar (medium eye) Buttonhole, $\frac{1}{4}$ in. adjustable bar, for 250588
250588	—	Pattern Wheel, for 1 $\frac{3}{8}$ in. Taper Bar (medium eye) Buttonhole, $\frac{1}{4}$ in. adjustable bar, complete, Nos. 250587, 251430, two each 203E, 250372 and three 391D
250589	13949	Intermittent Feed Driving Wheel Driving Stud, for 250590
250590	13777	Vertical Shaft with two each 204648 and 250589
250592	13947	Buttonhole Cutting Disengaging Push Rod
250597	13938	Work Clamp Carrier Slide Stay Plate Position Pin
250598	—	Stitch Regulating Gear, 30 teeth . .
250599	13937	Work Clamp Carrier Side Throw Lever Hinge Stud
250600	13937	Work Clamp Carrier Side Throw Lever Hinge Stud Collar with two 448C
Nos. 250737 to 250741 (obsolete)		
250737	13955	Throat Plate with 200589D and 250738
250738	13955	Throat Plate Needle Thread Cutter, for 250737

No.	Plate	Name
250739	13955	Needle Thread Tension Thread Guide
250740	13955	Needle Thread Retainer Holder with 462C, for 250741
250741	---	Needle Thread Retainer complete, Nos. 1620E, 12400, 12402, 39713 and 250740
251024	13932	Driving Wheel Stop Cam
251025	13932	" " " " Position Collar with 1036C
251026	13933	Stop Lever with 200352C
251152	13952	Lower Cord Leader
251153	13900	Loop Retainer (right)
251155	13903	Needle Holder Slide Spring
251168	13856	Rapid Feed Tripping Pawl
251169	13856	" " " " Lever
251170	13856	Looper Thread Tension Releaser Lever Spring
251184	---	Obsolete.
251214	13903	Needle Holder with 904E
251216	---	Pattern Wheel, for $\frac{5}{8}$ in. Eye Buttonhole (large and medium eye), for 251217
251217	---	Pattern Wheel, for $\frac{5}{8}$ in. Eye Buttonhole (large and medium eye), complete, Nos. 251216, 255024, two each 203E, 250372 and three 391D
251220	---	Pattern Wheel, for $\frac{3}{4}$ in. Eye Buttonhole (large and medium eye), for 251221
251221	---	Pattern Wheel, for $\frac{3}{4}$ in. Eye Buttonhole (large and medium eye), complete, Nos. 251220, 255025, two each 203E, 250372 and three 391D
251222	---	Pattern Wheel, for $\frac{13}{16}$ in. Eye Buttonhole (large and medium eye), for 251223
251223	---	Pattern Wheel, for $\frac{13}{16}$ in. Eye Buttonhole (large and medium eye), complete, Nos. 251222, 255026, two each 203E, 250372 and three 391D
251224	---	Pattern Wheel, for $\frac{3}{4}$ in. Eye Buttonhole (large and medium eye), for 251225
251225	---	Pattern Wheel, for $\frac{7}{8}$ in. Eye Buttonhole (large and medium eye), complete, Nos. 251224, 255027, two each 203E, 250372 and three 391D

No.	Plate	Name
251228	13948	Pattern Wheel, for 1 in. Eye Buttonhole (large and medium eye), for 251229
251229	—	Pattern Wheel, for 1 in. Eye Buttonhole (large and medium eye), complete, Nos. 251228, 255028, two each 203E, 250372 and three 391D
251230	—	Pattern Wheel, for 1 $\frac{1}{8}$ in. Eye Buttonhole (large and medium eye), for 251231
251231	—	Pattern Wheel, for 1 $\frac{1}{8}$ in. Eye Buttonhole (large and medium eye), complete, Nos. 251230, 255029, two each 203E, 250372 and three 391D
251232	—	Pattern Wheel, for 1 $\frac{1}{4}$ in. Eye Buttonhole (large and medium eye), for 251233
251233	—	Pattern Wheel, for 1 $\frac{1}{4}$ in. Eye Buttonhole (large and medium eye), complete, Nos. 251232, 255030, two each 203E, 250372 and three 391D
251236	—	Pattern Wheel, for 1 $\frac{1}{4}$ in. Eye Buttonhole (large and medium eye), for 251237
251237	—	Pattern Wheel, for 1 $\frac{1}{4}$ in. Eye Buttonhole (large and medium eye), complete, Nos. 251236, 255031, two each 203E, 250372 and three 391D
251240	—	Pattern Wheel, for 1 $\frac{3}{8}$ in. Eye Buttonhole (large and medium eye), for 251241
251241	—	Pattern Wheel, for 1 $\frac{3}{8}$ in. Eye Buttonhole (large and medium eye), complete, Nos. 251240, 255032, two each 203E, 250372 and three 391D
251244	—	Pattern Wheel, for 1 $\frac{1}{2}$ in. Eye Buttonhole (large and medium eye), for 251245
251245	—	Pattern Wheel, for 1 $\frac{1}{2}$ in. Eye Buttonhole (large and medium eye), complete, Nos. 251244, 255033, two each 203E, 250372 and three 391D
251267	13815	Buttonhole Cutting Lever 250031 with 251269 and 251270
251268	13885	Buttonhole Cutting Lever Spring
251269	13885	" " " " Bracket (lower), for 251267
251270	13885	Buttonhole Cutting Lever Spring Bracket (lower) Pin, for 251267..

No.	Plate	Name
251271	13815	Buttonhole Cutting Lever (upper) Cam with 453c
251292	13949	Finger Starting Lever (intermediate) Operating Stud Collar with 646E
251351	13954	Work Clamp Arm (left) (obsolete)
251352	13954	" " " (right) (obsolete)
251360	—	Obsolete.
251361	—	Obsolete.
251425	—	Pattern Wheel Ring 251493 with 252662, 252663, two each 211E and 250444, for 250562 and 250576 ..
251426	—	Pattern Wheel Ring 251494 with 252662, 252663, two each 211E and 250444, for 250564 and 250578 ...
251427	—	Pattern Wheel Ring 251495 with 252662, 252663, two each 211E and 250444, for 250566 and 250580 ..
251428	—	Pattern Wheel Ring 251496 with 252662, 252663, two each 211E and 250444, for 250568 and 250582 ..
251430	—	Pattern Wheel Ring 251497 with 252662, 252663, two each 211E and 250444, for 250570, 250572, 250574, 250584, 250586 and 250588
251493	—	Pattern Wheel Ring, for 251425 ..
251494	—	" " " " 251426 ..
251495	—	" " " " 251427 ..
251496	—	" " " " 251428 ..
251497	—	" " " " 251430 ..
251499	—	Obsolete.
251500	—	Obsolete.
251511	—	Obsolete.
251512	—	Obsolete.
251518	13949	Finger Starting Lever Spring, for 255065
251519	13939	Work Clamp Opening Lever Latch, for 255065
251520	—	Obsolete.
251552	—	Obsolete.
251566	—	Obsolete.
251609	—	Obsolete.
251610	—	Obsolete.
252081	13934	Needle Thread Controller Stud ...
252081	13934	" " Retainer Stud, for 255067
252082	13934	Needle Thread Retainer Tension Disc

No.	Plate	Name
252083	13932	Needle Thread Tension Bracket ..
252184	13937	Work Clamp Arm Hinge Block, for 255065 and 255066
252194	13823	Work Clamp Closing Lever
252196	13823	" " " " Adjust- ing Arm with 201531H, 201948 and 228026
252197	—	Obsolete.
252198	—	Obsolete.
252202	13953	Work Clamp Spreader Adjusting Screw Bracket, for 255065 and 255066
252266	13935	Rapid Feed Slide Bar
252267	13935	" " " " Fork Connec- tion with 889c
252269	13936	Rapid Feed Slide Bar Collar with two 448c
252271	13936	Rapid Feed Slide Bar Lock Block
252273	13936	" " " " Spring
252274	13936	" " " " " Wash- er
252306	13935	Rapid Feed Slide Bar Lock
252503	13942	Cord Leader (upper), for 252524 ..
252506	—	Cording Device complete, Nos. 252524, 252532 and 252535
252512	13953	Work Clamp Spreader Operating Pawl Adjusting Block, for 252513
252513	—	Work Clamp Spreader Operating Pawl complete, Nos. 176D, 7071, 250285 and 252512
252524	—	Cord Leader (upper) complete, Nos. 223D, 202603, 250497 to 250500, 252503 and two 200161D, for 252506
252532	13942	Cord Leader (upper) Wire, for 252506
252533	13942	Cord Spool Tension Stud Bracket (upper), for 252535
252535	—	Cord Spool Tension Stud Bracket 252533 with 1520J, 10111, 10112, 201710D, 350162E and 350163D, for 252506
252625	13954	Work Clamp Arm (left)
252627	13954	" " " (right)
252662	13955	Pattern Wheel Ring Adjusting Seg- ment (curve rise)
252663	13955	Pattern Wheel Ring Adjusting Seg- ment (straight drop)
253152	—	Obsolete.
253153	—	Obsolete.

No.	Plate	Name
253472	13901	Looper (non threaded)
253481	13935	Rapid Feed Clutch Disengaging Sleeve
253482	13955	Rapid Feed Slide Bar Fork Connec- tion Extension Plate (obsolete)
253488	13949	Looper Thread Controlling Spring Stop
253496	13948	Work Clamp Base (left) with 232304, for 255065
253497	13948	Work Clamp Base (right) with 232304, for 255066
253502	13948	Work Clamp Carrier Base Plate with 250439
253503	13952	Work Clamp Spreader Cam
253504	13952	" " " " Crank with 906c
253505	13953	Work Clamp Spreader Connection
253506	13953	" " " " "
253507	13953	Work Clamp Spreader Connection Link (right)
253508	13953	Work Clamp Spreader Lever (front)
253509	13953	" " " Operating Fork Lever
253510	13950	Work Clamp Spreader Operating Fork Lever Connection
253512	13952	Rapid Feed Starting Lever Latch Stop Washer
253513	13949	Looper Thread Controlling Spring
253524	—	Work Clamp Spreader Connection Bracket Roller Stud, for 201981
253525	13953	Work Clamp Spreader Retaining Plate
253530	13949	Looper Thread Tension Releaser
253531	13932	" " " " " Lever
253532	13933	Looper Thread Tension Releaser Lever Rod
253533	13932	Looper Thread Tension Releaser Operating Lever with 237F
253534	13932	Looper Thread Tension Releaser Operating Cam Block with 219F
253535	13932	Looper Thread Tension Releaser Lever Rod Collar with 237F
253536	13935	Rapid Feed Pawl Bell Crank with 202299
253537	13935	Rapid Feed Starting Pawl
253538	13936	" " Slide Bar Fork Connec- tion Extension Plate
253629	13934	Needle Thread Controller

No.	Plate	Name
253666	13937	Work Clamp Arm Cam with 209F, for 255057 and 255058
253679	13950	Work Clamp Opening Lever Latch Releasing Bracket with 200E, 1547J and 350218C, for 255079 ...
253680	13952	Work Clamp Opening Cam with 462C
255003	13939	Work Clamp Spring, for 255065 and 255066
255004	13934	Needle Thread Controller Spring, for 255067
255005	—	Needle Thread Controller Spring Bracket with 171E, for 255067 ..
255006	13934	Needle Thread Controller Spring Stop, for 255067
255007	13934	Needle Thread Controller Spring Thread Guide, for 255067
255009	13933	Needle Thread Tension Releasing Lever
255010	13933	Needle Thread Tension Releasing Lever Bracket
255011	13936	Needle Thread Tension Releasing Lever Spring
255013	13935	Needle Thread Tension Releasing Rod
255014	13936	Needle Thread Tension Releasing Rod Bracket
255015	13936	Needle Thread Tension Releasing Rod Plate
255016	13939	Work Clamp Spring Wear Plate, for 255065 and 255066
255019	—	Buttonhole Cutting Shaft Pulley (loose) with 255021, two each 172D, 210750 and eight 232817, for 255020
255020	13933	Buttonhole Cutting Shaft Pulley complete, Nos. 255019, two each 255022, 255023 and 350198F
255021	13935	Work Clamp Closing Lever Cam Groove Protector, for 255019 ...
255022	13938	Work Clamp Closing Lever Cam Safety Latch, for 255020
255023	13938	Work Clamp Closing Lever Cam Safety Latch Spring, for 255020
255024	—	Pattern Wheel Ring 250376 with 211E, 250443 and 250444, for 250360 and 251217
255025	—	Pattern Wheel Ring 250378 with 211E, 250443 and 250444, for 250362 and 251221

No.	Plate	Name
255026	—	Pattern Wheel Ring 250379 with 211E, 250443 and 250444, for 251223
255027	—	Pattern Wheel Ring 250380 with 211E, 250443 and 250444, for 251225
255028	—	Pattern Wheel Ring 250382 with 211E, 250443 and 250444, for 250364 and 251229
255029	—	Pattern Wheel Ring 250383 with 211E, 250443 and 250444, for 251231
255030	—	Pattern Wheel Ring 250384 with 211E, 250443 and 250444, for 250368 and 251223
255031	—	Pattern Wheel Ring 250386 with 211E, 250443 and 250444, for 250370 and 251237
255032	—	Pattern Wheel Ring 250388 with 211E, 250443 and 250444, for 251241
255033	—	Pattern Wheel Ring 250390 with 211E, 250443 and 250444, for 250366 and 251245
255034	13936	Needle Vibrating Lever Hinge Stud
255035	—	Looper Driving Disc 250097 with 201435C and 201704E
255045	—	Buttonhole Cutting Block (steel), 1½ in. (eye or taper bar)
255046	—	Buttonhole Cutting Block (steel), ¾ in. (eye or taper bar)
255047	—	Buttonhole Cutting Block (steel), ¾ in. (eye or taper bar)
255048	—	Buttonhole Cutting Block (steel), ¾ in. (eye or taper bar)
255049	13946	Buttonhole Cutting Block (steel), 1 in. (eye or taper bar)
255050	—	Buttonhole Cutting Block (steel), 1¼ in. (eye or taper bar)
255051	—	Buttonhole Cutting Block (steel), 1¼ in. (eye or taper bar)
255052	—	Buttonhole Cutting Block (steel), 1¾ in. (eye or taper bar)
255053	13935	Rapid Feed Starting Lever (operated by stop motion) with 704C, 1454E, 203213 and 255054
255054	13936	Rapid Feed Starting Lever Stud, for 255053
255055	13950	Loop Retainer Cam with 350223E...
255056	13934	Needle Holder Slide Lever Pin, for 250114
255057	—	Work Clamp Arm Bracket (left) 250525 with 250268, 250551, 250552, 253666 and three 2269, for 255065

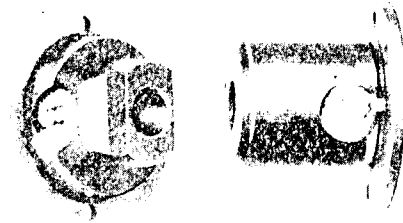
No.	Plate	Name
255523	13952	Stop Lever Interlocking Slide ...
255527	13932	Bed Shaft Bushing (front) Oil Tube
350028c	13871	Buttonhole Cutter Driving Pulley Shaft Bushing Set Screw, for 228574
350028c	13871	Buttonhole Cutter Driving Pulley Shaft Bushing Set Screw
350066c	13776	Stitch Rotating Lever (lower) Rol- ler Screw Stud
350070c	13785	Work Clamp Carrier Feed Lever Link Hinge Screw (block end) ..
350071E	13785	Feed Wheel Friction Ring Adjust- ing Screw
350072E	13785	Work Clamp Carrier Feed Lever Roller Cap Screw, for 201988 ...
350072E	13785	Work Clamp Carrier Side Throw Lever Lock Pin Roller Cap Screw, for 250250
350076c	13951	Needle Vibrating Adjusting Stud ..
350080D	13805	Finger Starting Lever Hinge Block Hinge Screw, for 255065
350087c	13776	Stitch Rotating Sector (lower) Hinge Screw
350105E	13949	Buttonhole Cutting Starting Lever Spring Screw Stud
350109c	13856	Rapid Feed Tripping Pawl Hinge Screw
350110c	13856	Rapid Feed Tripping Pawl Lever Bracket Screw
350111c	13946	Buttonhole Cutting Block Pinch Screw, for 250033
350113c	13899	Feed Adjusting Gear Bracket Clamping Screw
350114c	13947	Buttonhole Cutting Knife Clamp- ing Lever Hinge Screw
350123E	13937	Work Clamp Arm Hinge Block Hinge Screw, for 255065 and 255066
350133E	13891	Work Clamp Closing Lever Engag- ing Stud Screw, for 255070
350136E	13937	Work Clamp Arm Spring Screw, for 255065 and 255066
350138E	13939	Work Clamp Spreader Operating Fork Lever Hinge Screw
350140D	13952	Work Clamp Spreader (left) Screw
350148D	13947	Buttonhole Cutting Starting Lever Latch Hinge Screw
350156E	13891	Work Clamp Closing Lever Roller Screw Stud, for 201948

No.	Plate	Name
350162E	13942	Cord Spool Tension Stud, for 252535
350163D	13942	" " Adjusting Thumb Nut Clamping Screw, for 252535
350166c	13955	Rapid Feed Slide Bar Lock Hinge Screw (obsolete)
350185c	13937	Work Clamp Carrier Feed Lever Hinge Screw
350192D	13941	Thread Unwinder Thread Guide Screw Stud, for 225376
350198E	13938	Work Clamp Closing Lever Cam Safety Latch Hinge Screw, for 255020
350215E	13951	Work Clamp Base Spring (front) Catch Stud
350216c	13937	Work Clamp Carrier Feed Lever Link Hinge Screw (lever end) ..
350218c	---	Work Clamp Opening Lever Latch Releasing Screw, for 253679
350223E	13946	Arm Shaft Bevel Gear Position Screw
350223E	13946	Loop Retainer Cam Set Screw, for 255055
350223E	13946	Vertical Shaft Bevel Gear Position Screw
350224D	13934	Looper Thread Tension Releaser Lever Hinge Screw
350225D	13937	Stop Lever Link Connection Screw (back)
350233c	13946	Buttonhole Cutting Disengaging Lever Hinge Screw
350256c	13951	Rapid Feed Starting Lever Latch Hinge Stud
350260c	13936	Rapid Feed Pawl Hinge Screw ..
350262E	13936	" " Slide Bar Lock Hinge Screw
350263E	13937	Stop Lever Bracket Screw
350278c	13949	Looper Driving Crank Link Hinge Screw
350293E	13936	Rapid Feed Slide Bar Spring Cap Screw

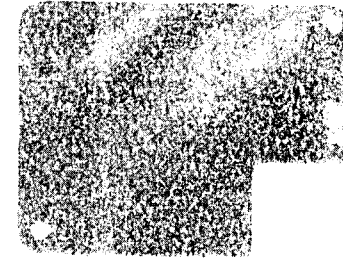
232488

232002

232490

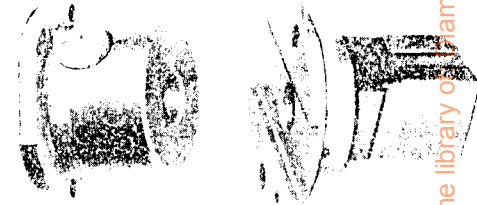


250002



232030

250015

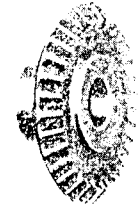


23249

232003



232493



ILLUSTRATIONS OF PARTS

FOR

MACHINE

No. 99 w 75

From the library of Diamond Needle Corp

PLATE 13756—FULL SIZE

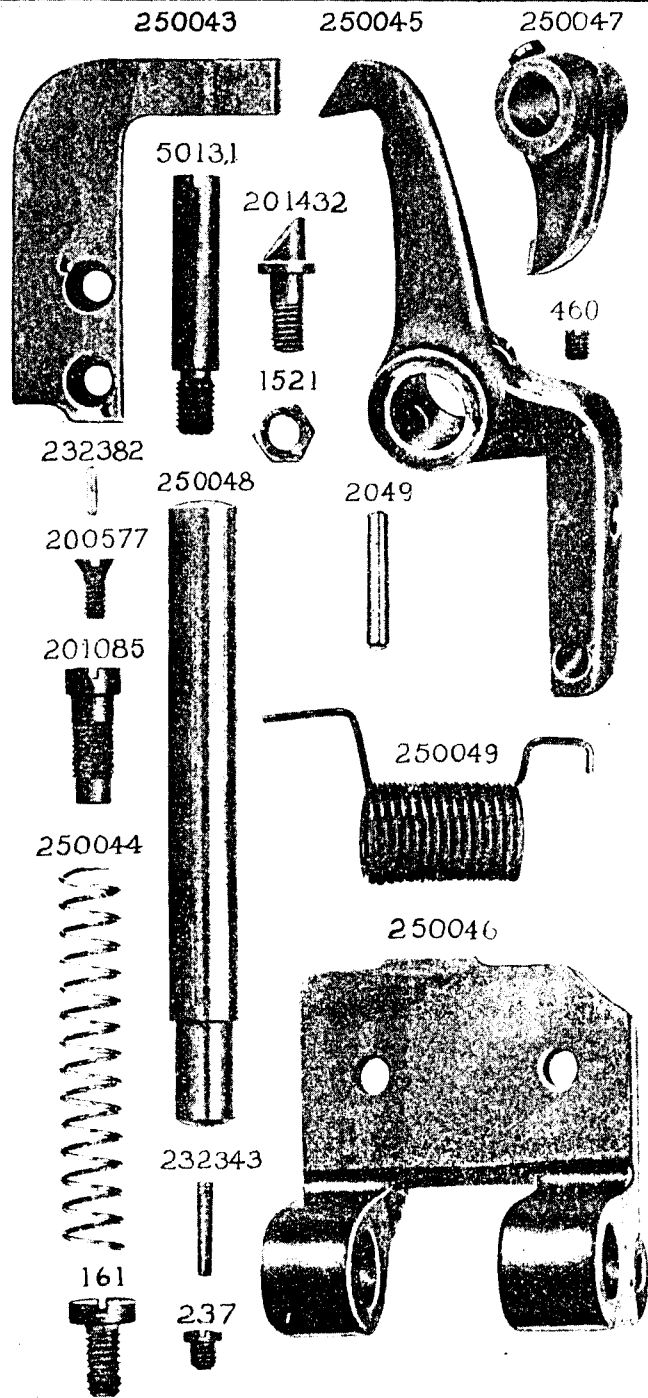
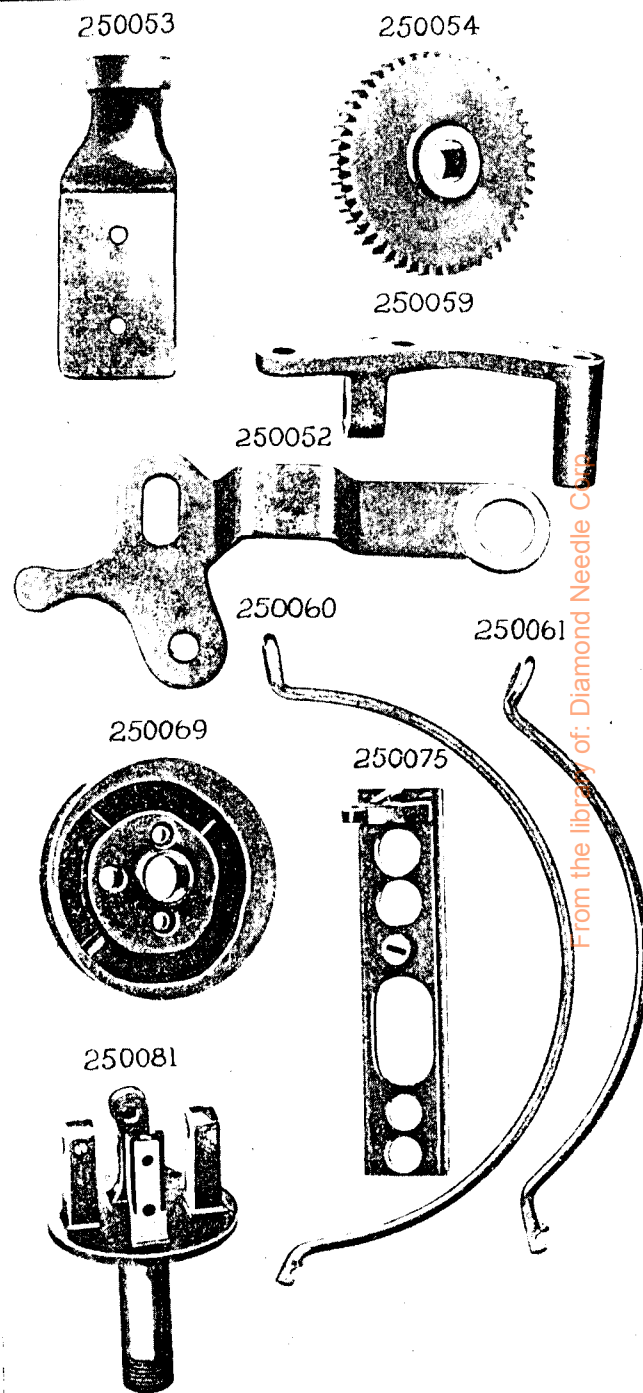


PLATE 13758—ONE-HALF SIZE



From the library of: Diamond Needle Co.

PLATE 13759—FULL SIZE

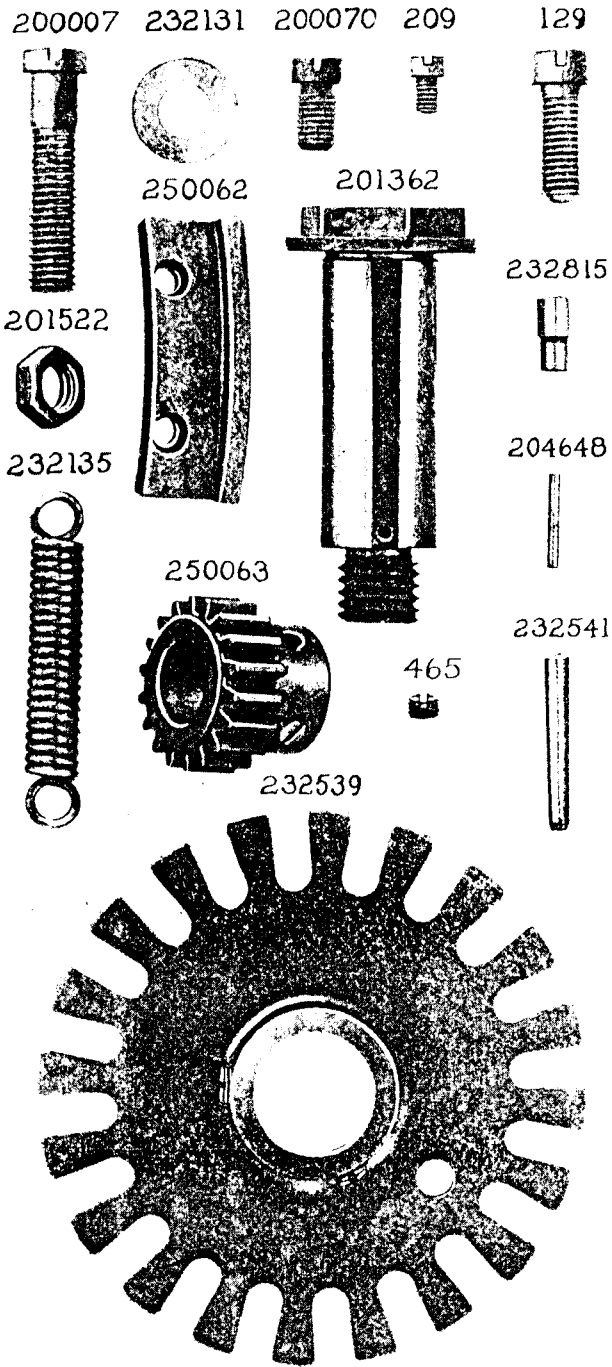


PLATE 13762—FULL SIZE

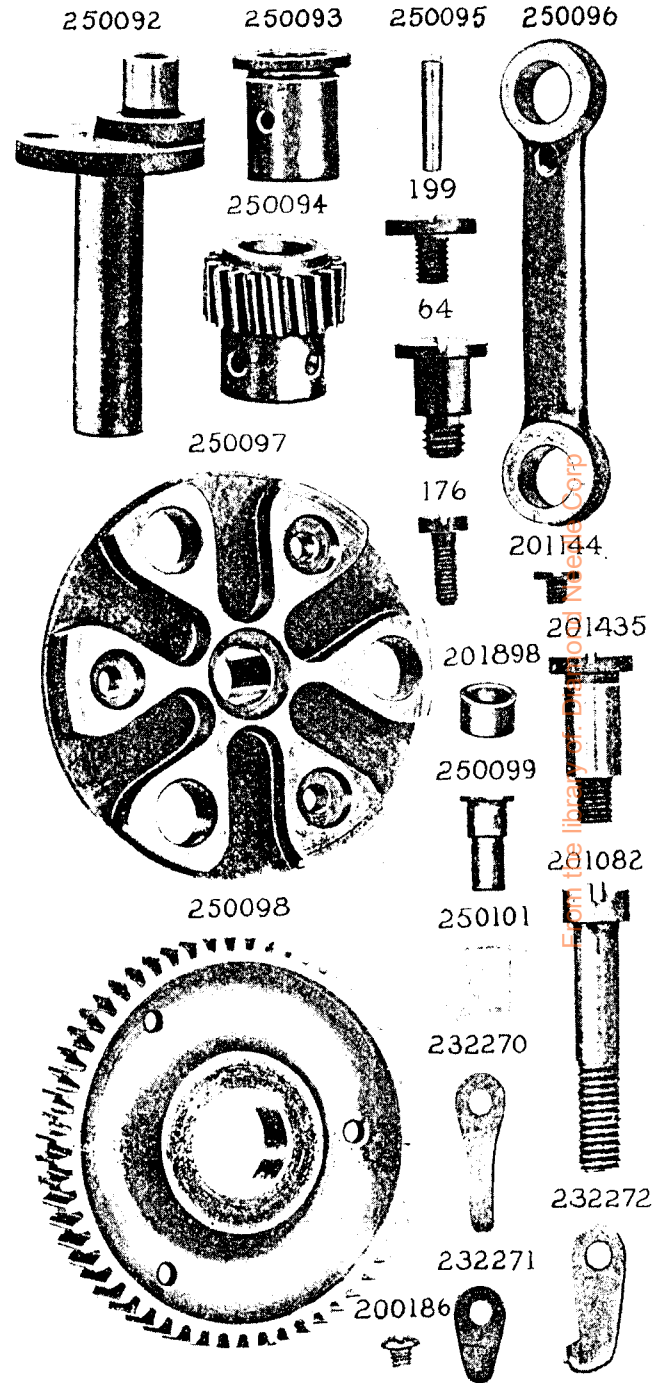


PLATE 13769—FULL SIZE

660 250147 200308 145 250145

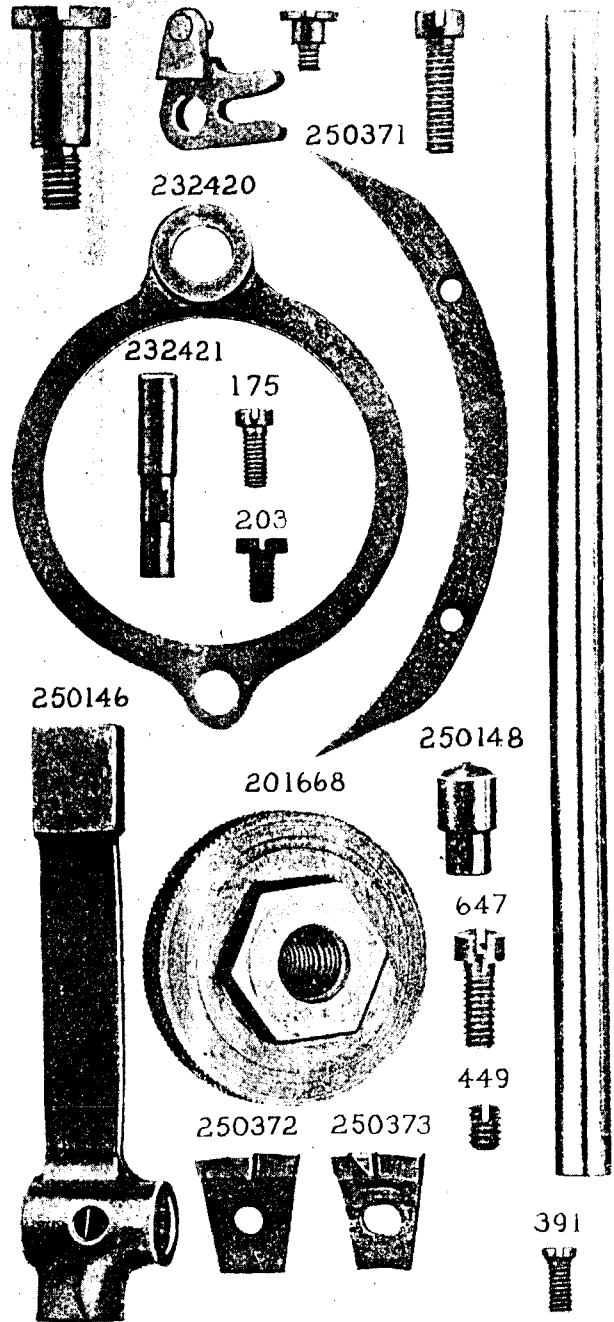


PLATE 13770—ONE-HALF SIZE

250150

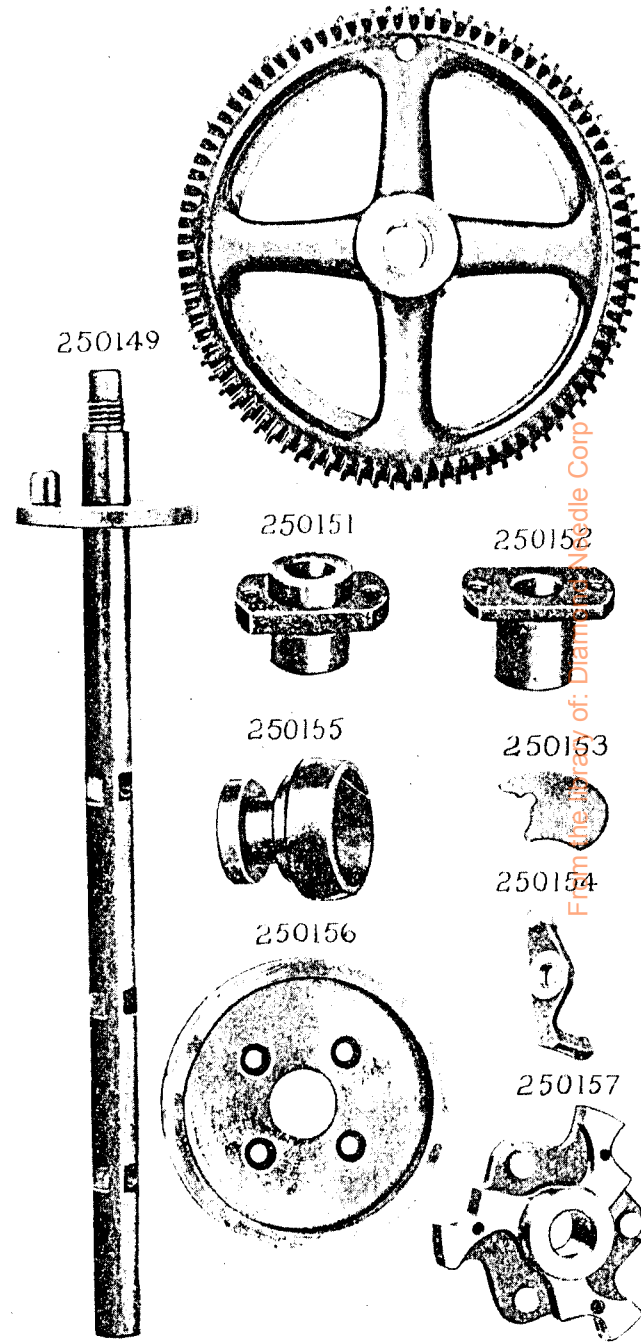


PLATE 13771-FULL SIZE

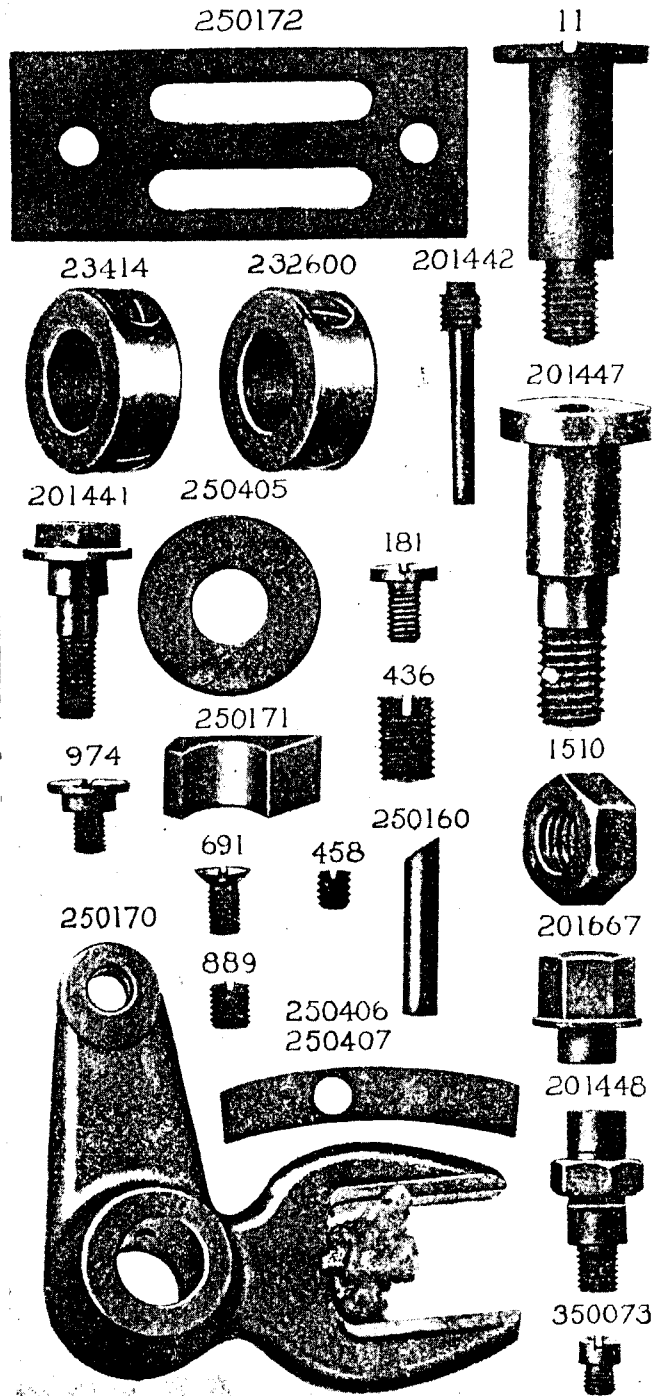


PLATE 13774-FULL SIZE

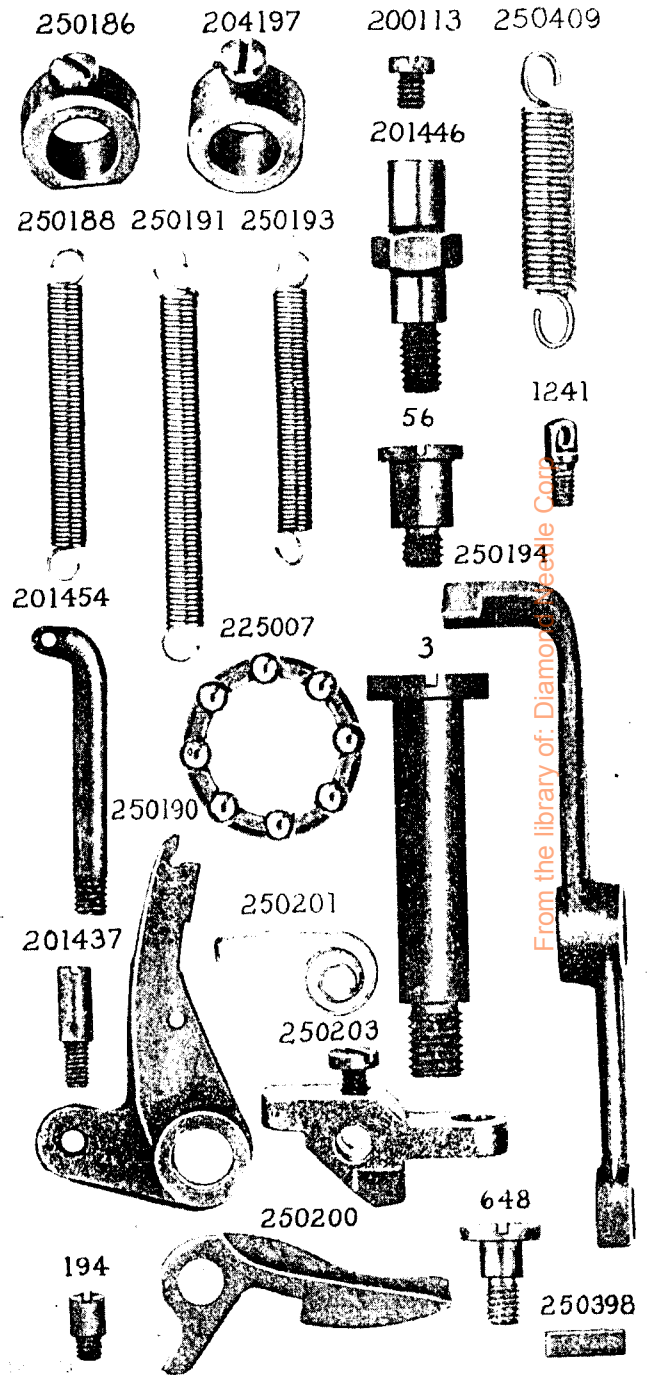


PLATE 13775—ONE-HALF SIZE

250202 250173 250192 250199

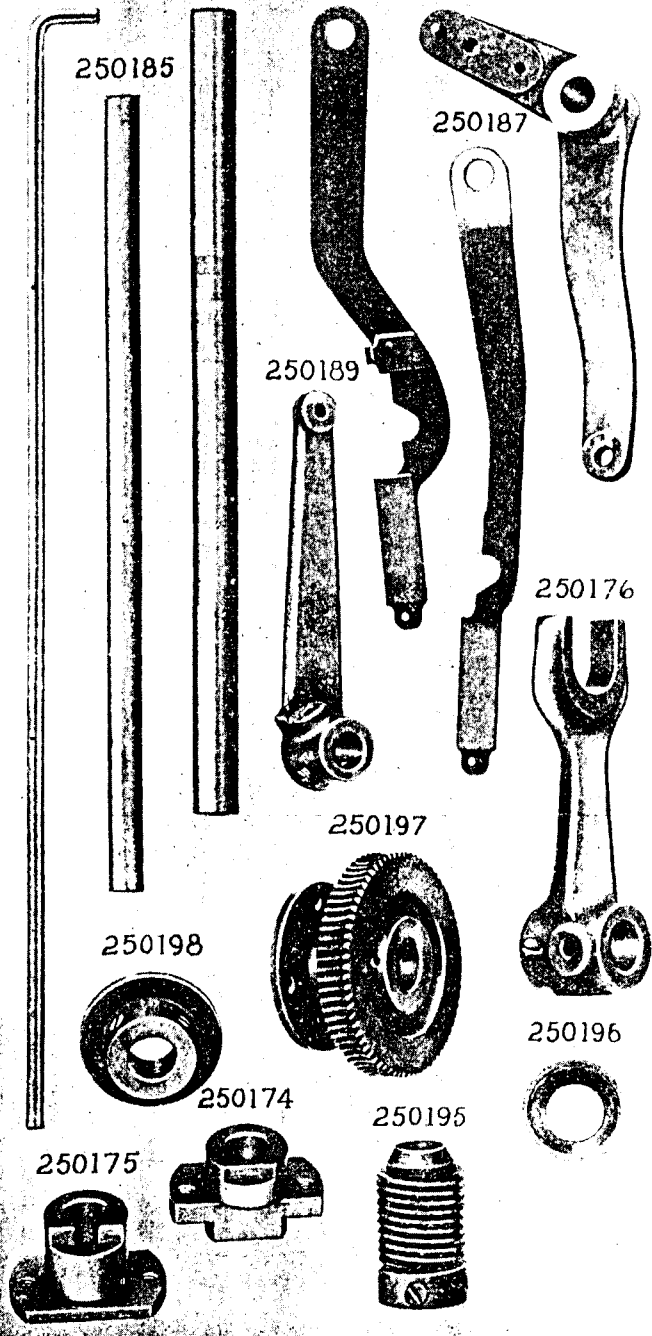


PLATE 13776—FULL SIZE

40043 946 250205 201064 250206

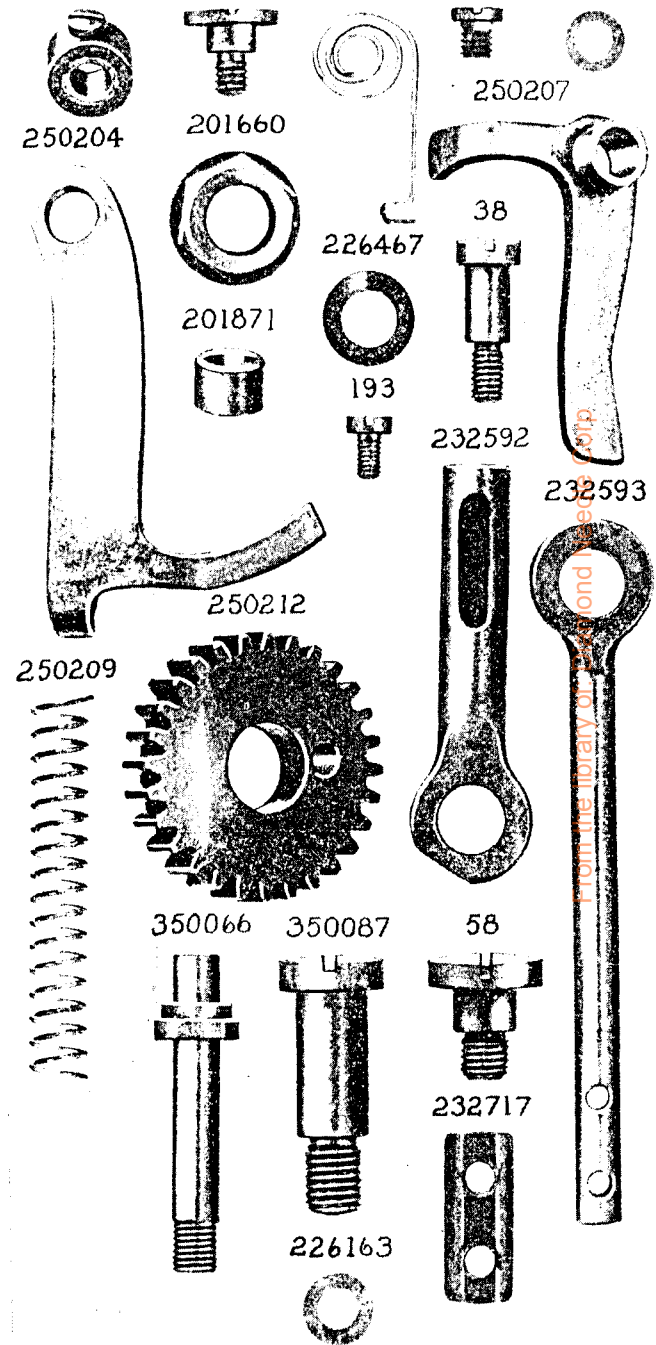


PLATE 13777—ONE-HALF SIZE

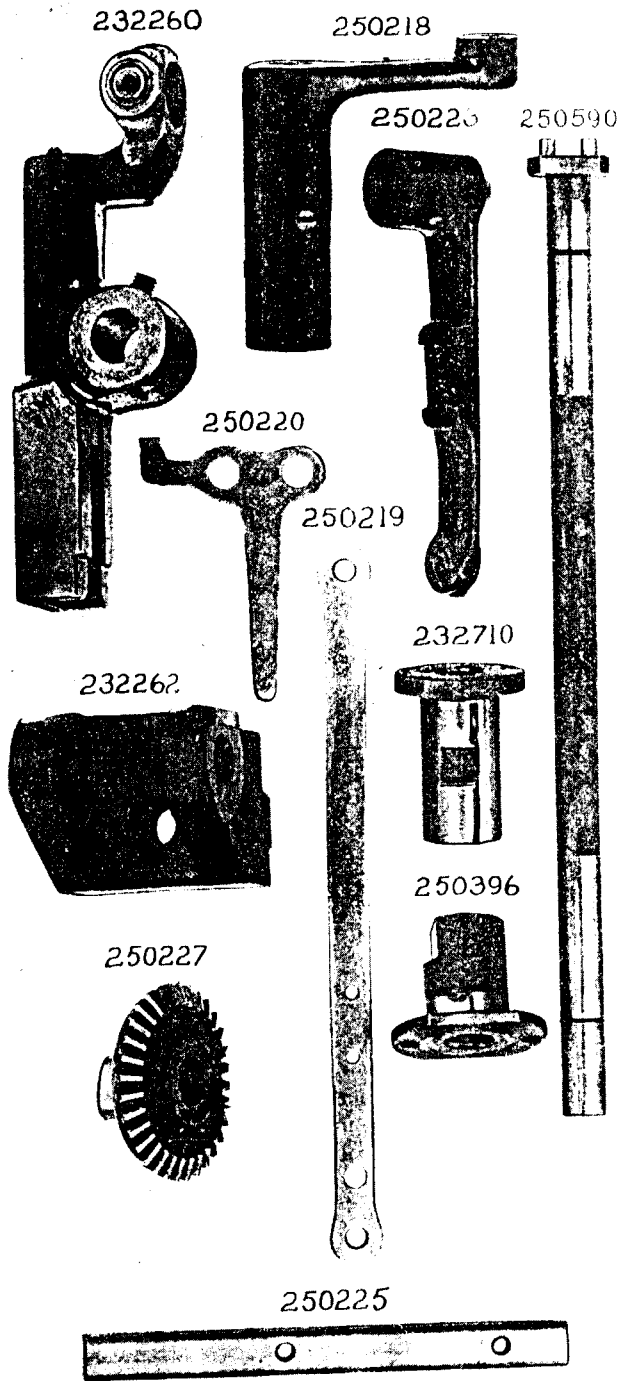


PLATE 13785—FULL SIZE

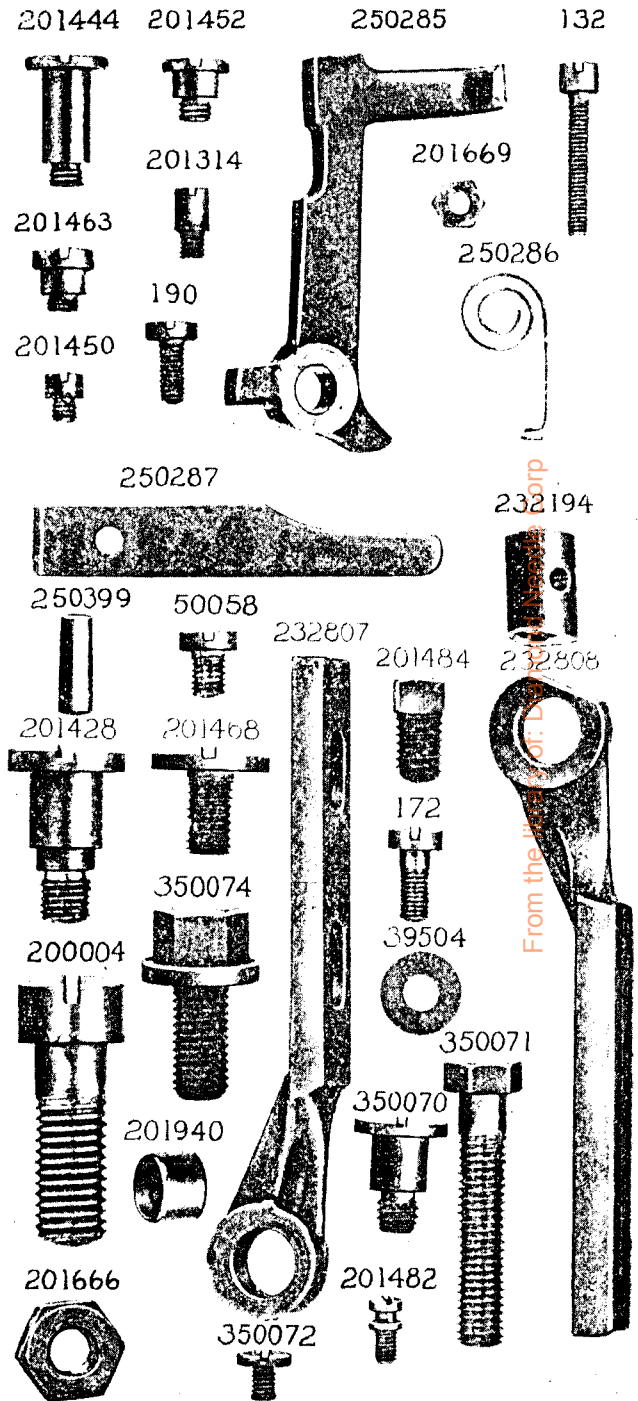


PLATE 13805—FULL SIZE

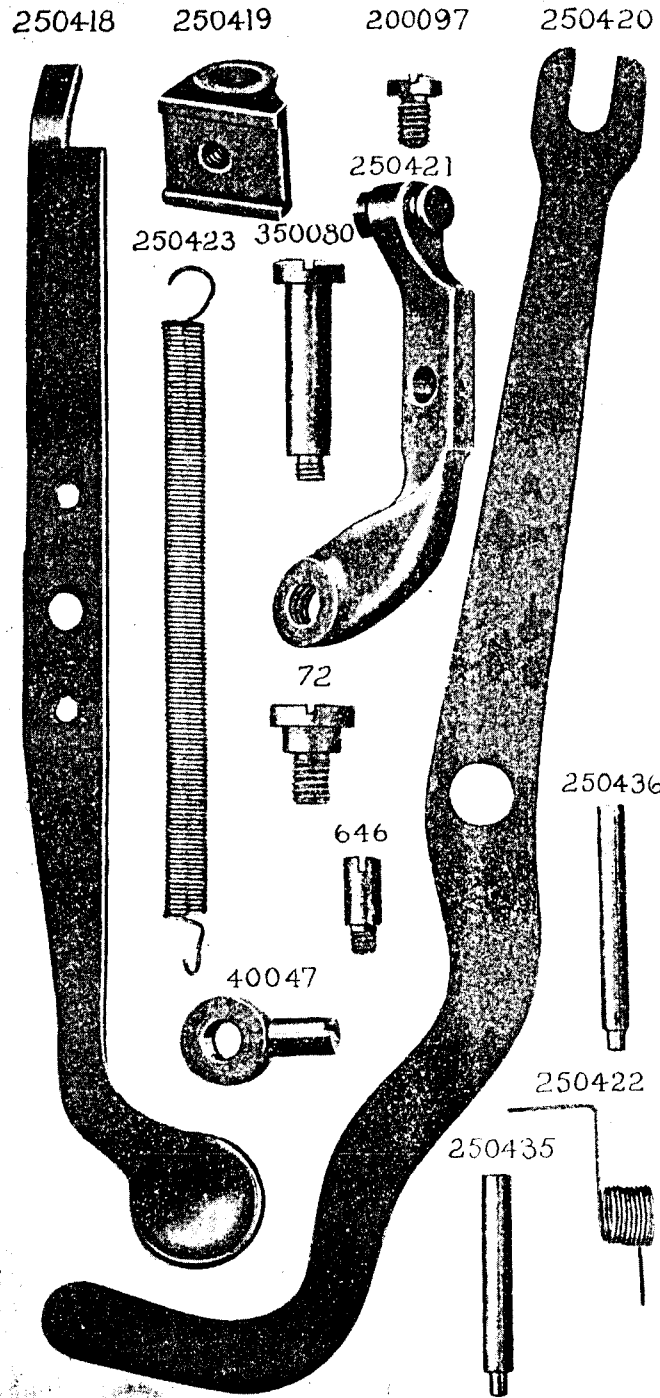


PLATE 13806—FULL SIZE

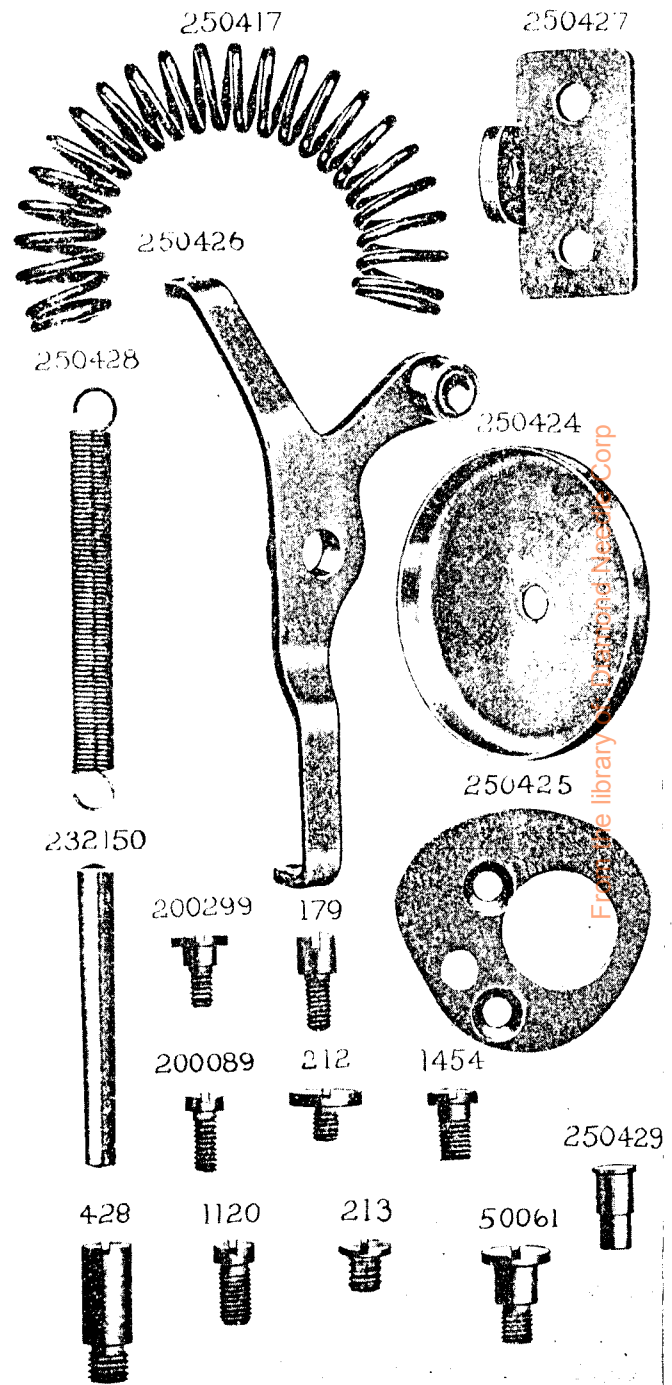


PLATE 13811—FULL SIZE

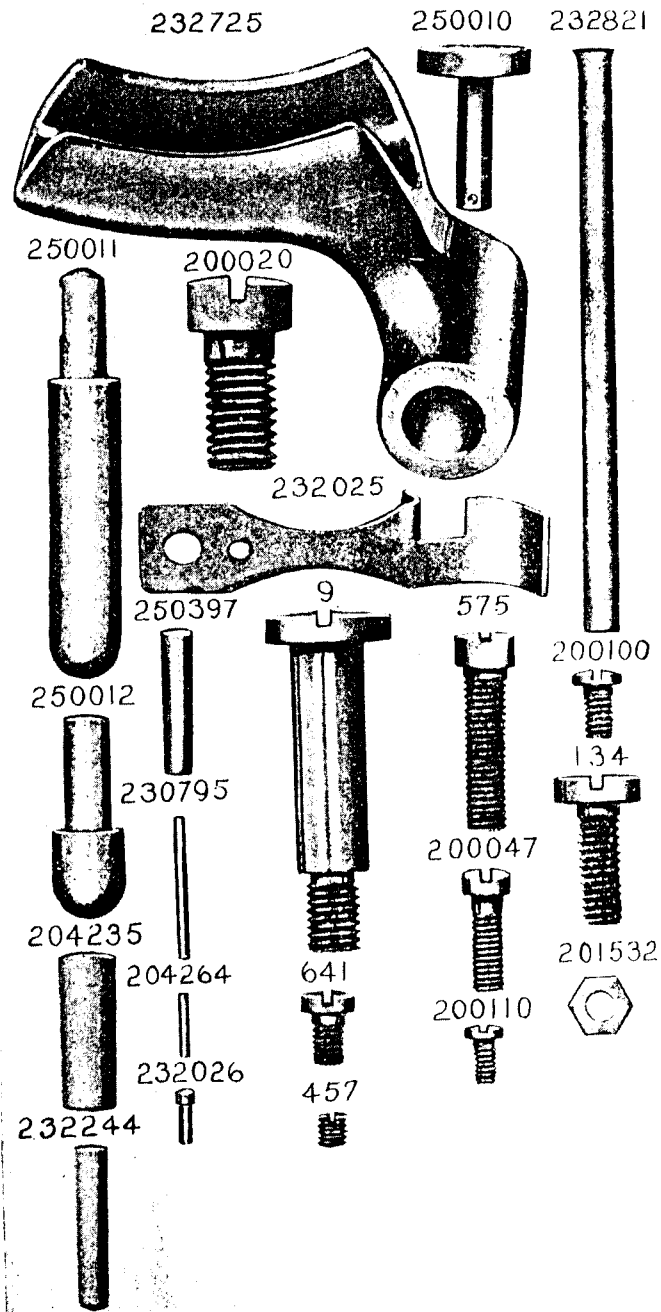


PLATE 13815—ONE-FOURTH SIZE

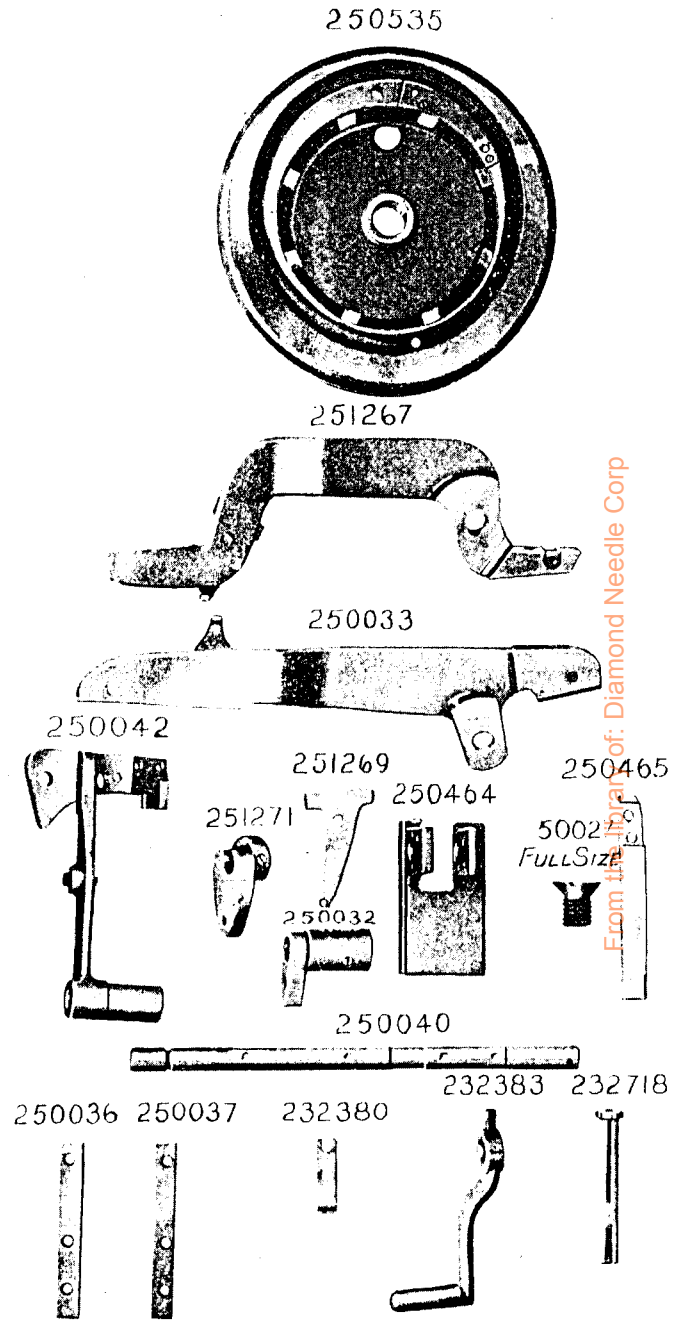
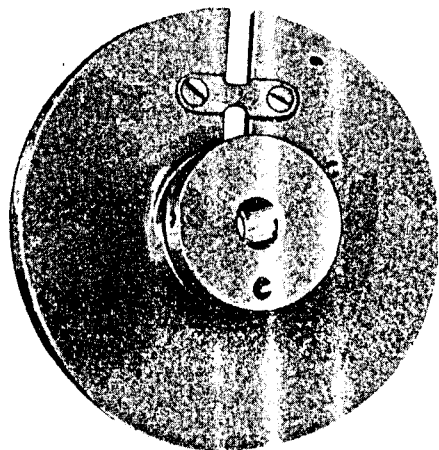
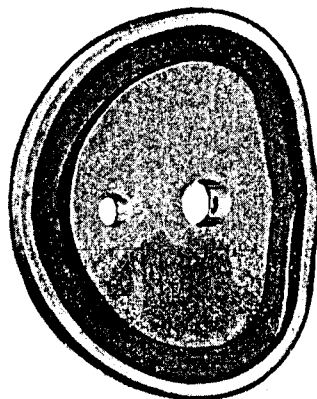


PLATE 13818—ONE-HALF SIZE

250290



250020



250021

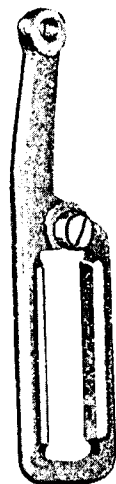
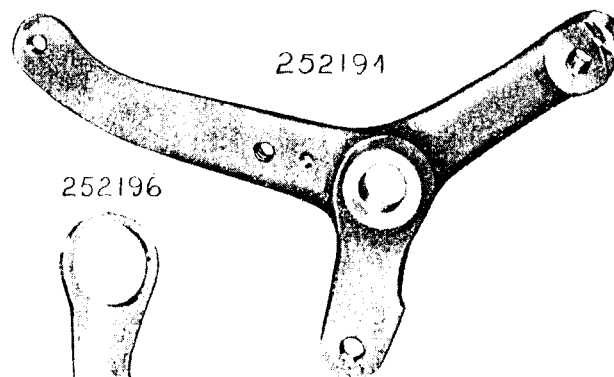
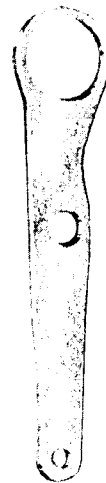


PLATE 13823—ONE-HALF SIZE

252191



252196



250263



From the library of: Diamond Needle Corp

PLATE 13825—FULL SIZE

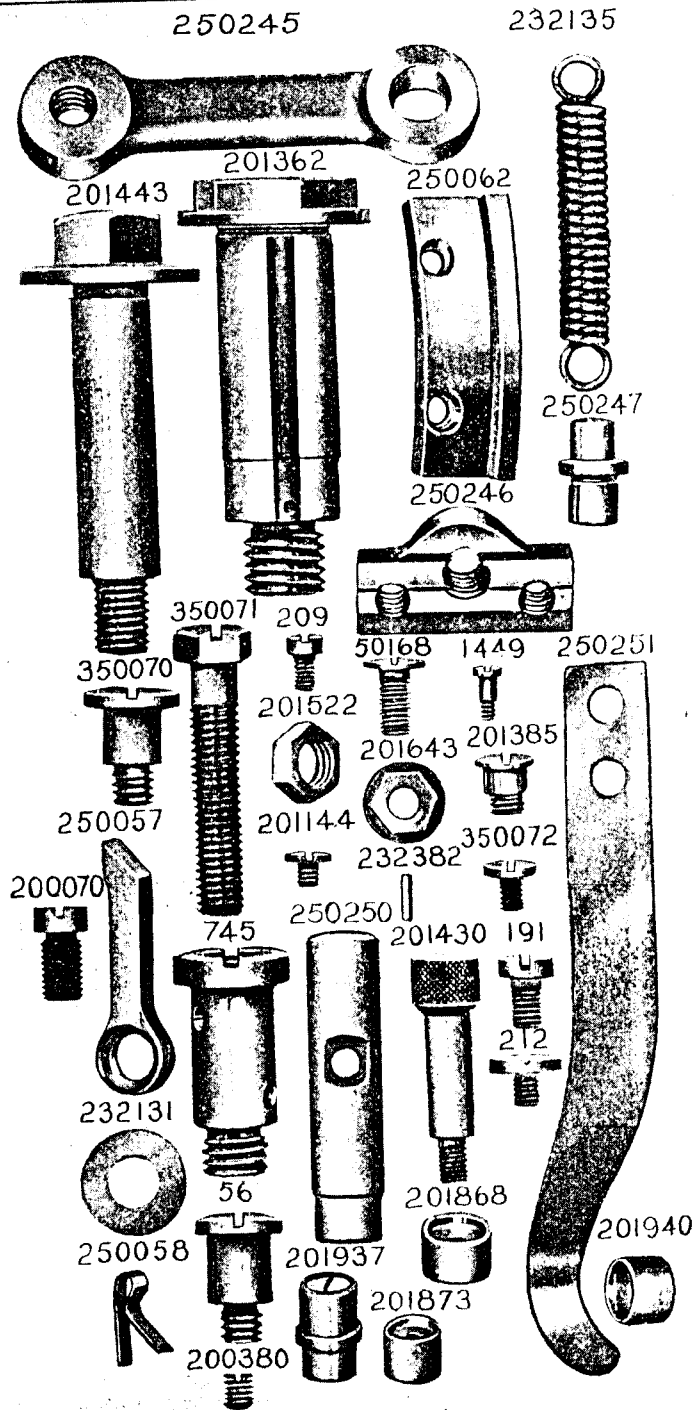
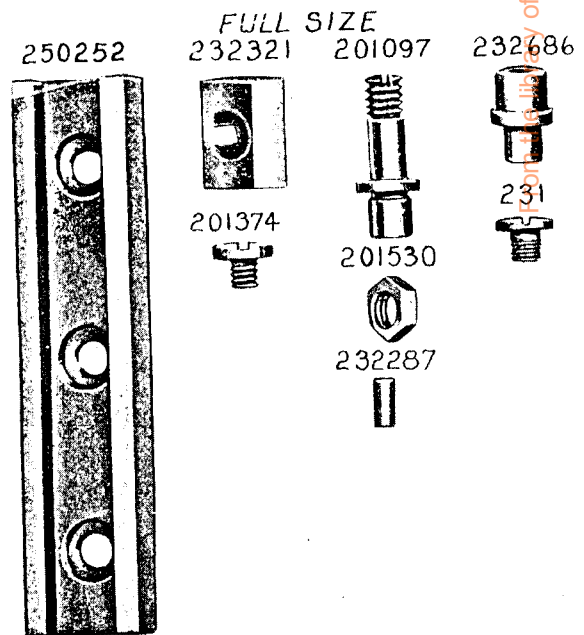
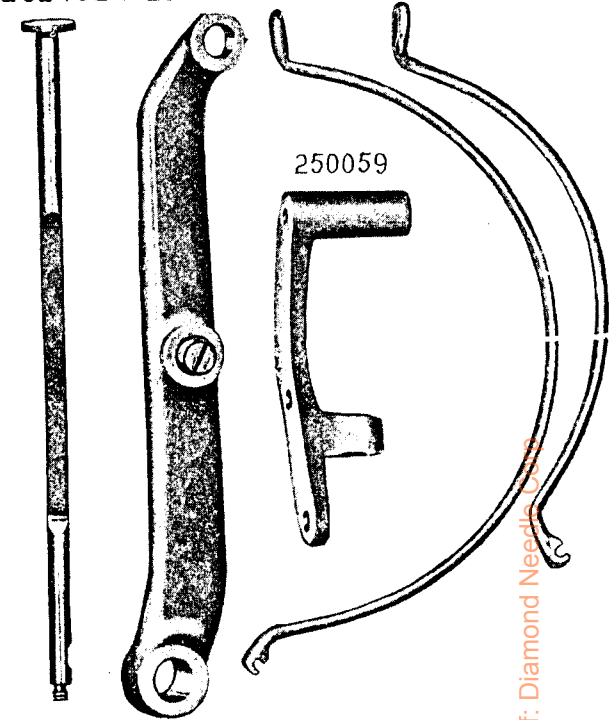


PLATE 13826—ONE-HALF SIZE

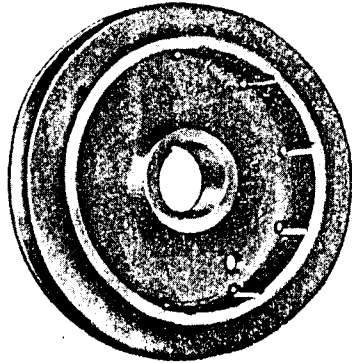
232462 250244 250060 250061



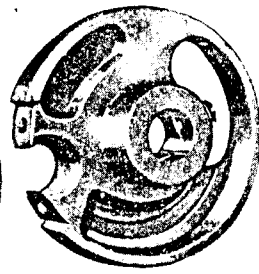
Copyright © of Diamond Needle Co.

PLATE 13834—ONE-HALF SIZE

250050

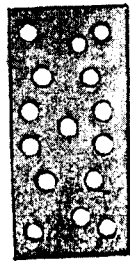


232110



— FULL SIZE —

232112



40025



200363

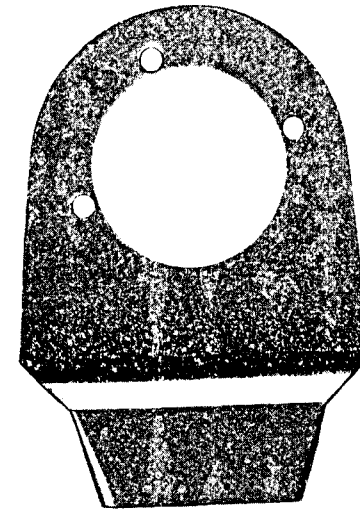


232113

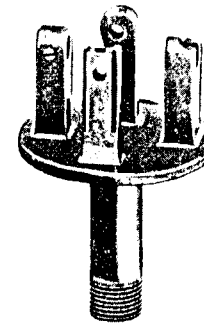


PLATE 13842—ONE-HALF SIZE

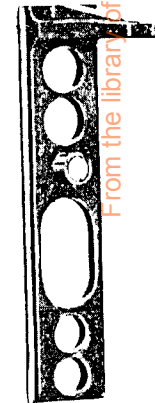
250082



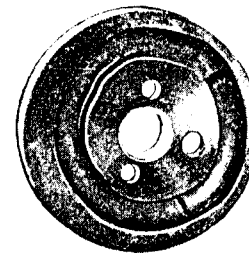
250081



250075



250069



From the library of Diamond Needle Corp

PLATE 13846—FULL SIZE

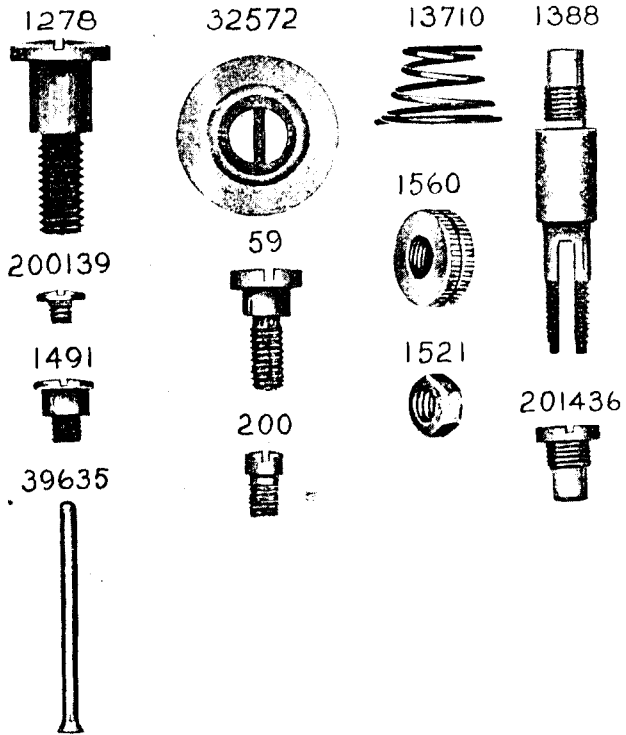
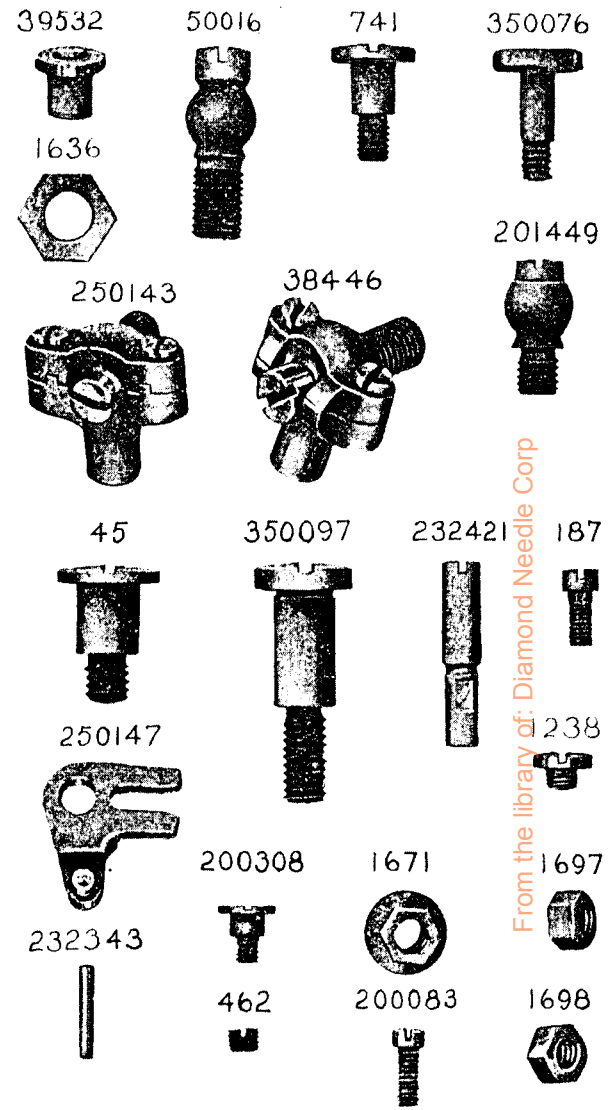


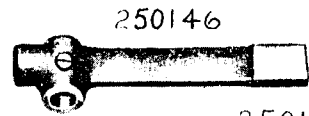
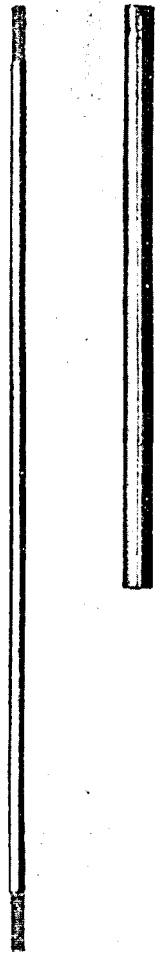
PLATE 13847—FULL SIZE



From the library of: Diamond Needle Corp

PLATE 13848—ONE-HALF SIZE

250142 250145



250144



250140



250141



232420

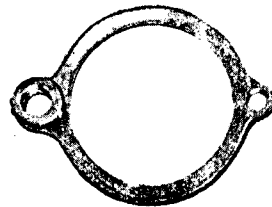
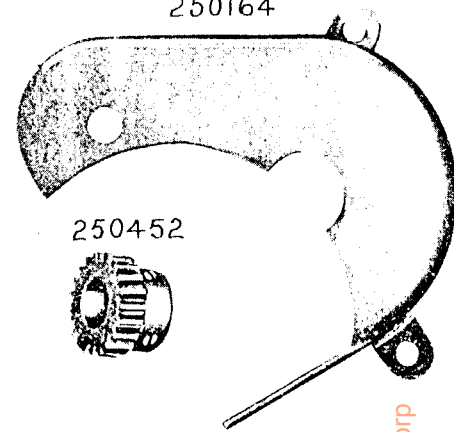


PLATE 13852—ONE-HALF SIZE

250173



250164



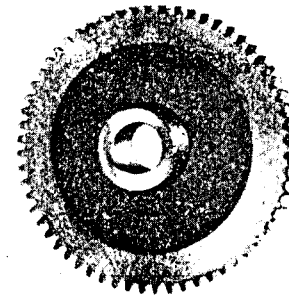
250452



250163



250534



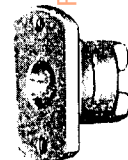
250174



250167



250175



From the library of: [Digitallibrary.org](http://www.digitallibrary.org)

PLATE 13854—FULL SIZE

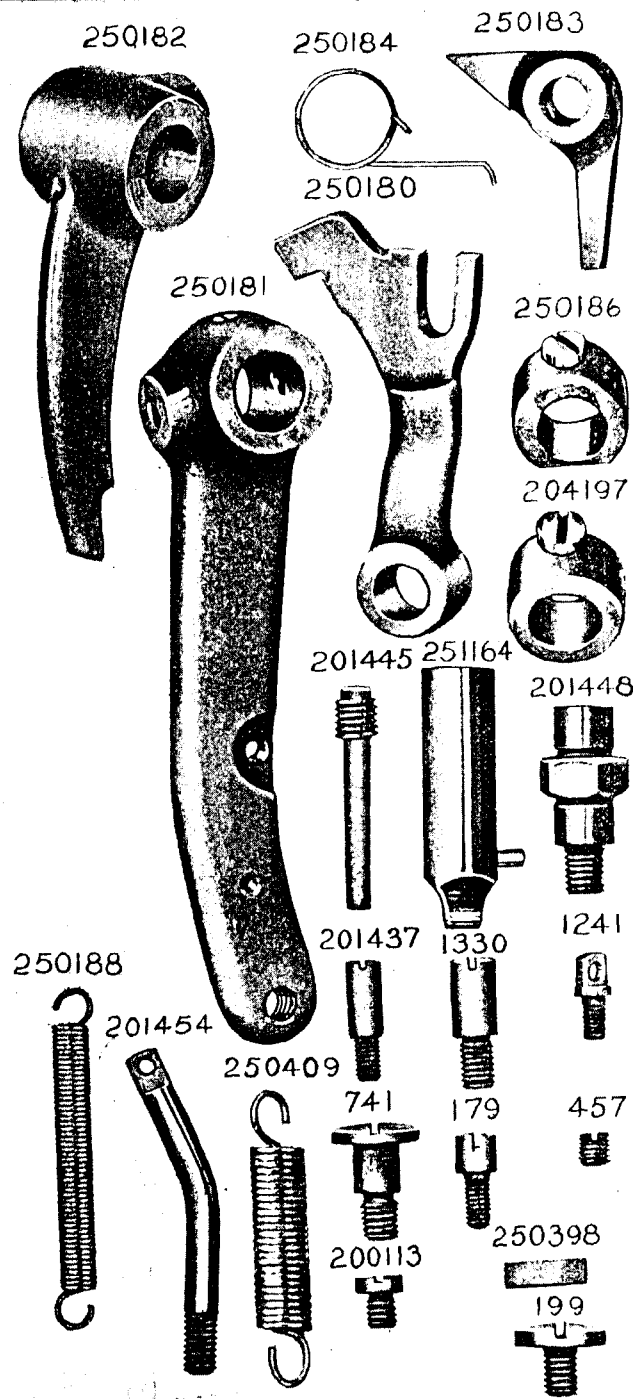


PLATE 13856—FULL SIZE

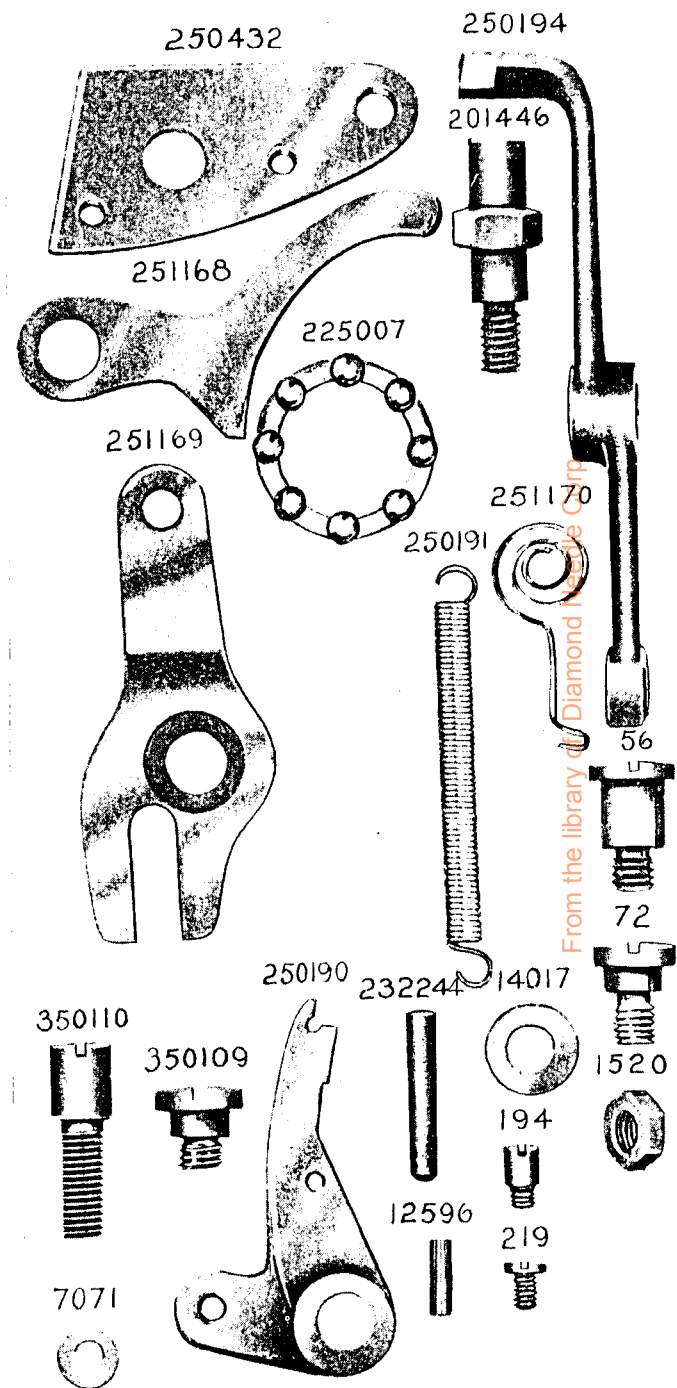
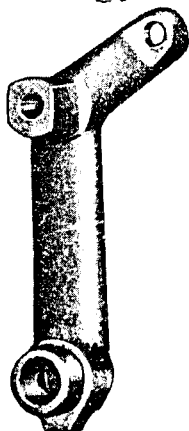


PLATE 13861—ONE-HALF SIZE

250394



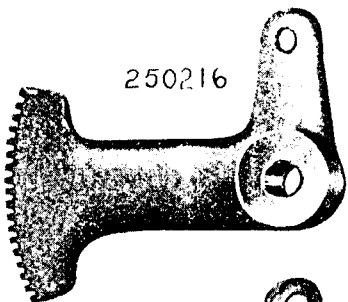
250215



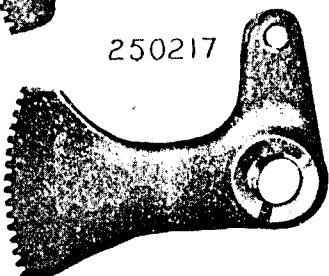
232591



250216



250217



232599



232597

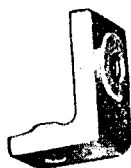


PLATE 13864—FULL SIZE

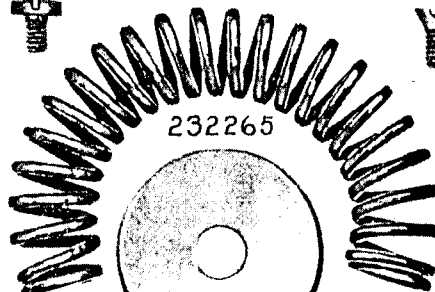
250404



217



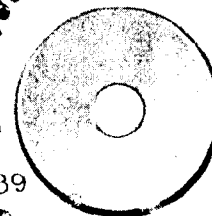
250417



200577



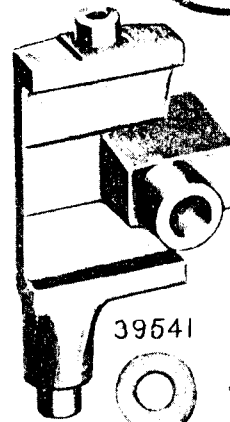
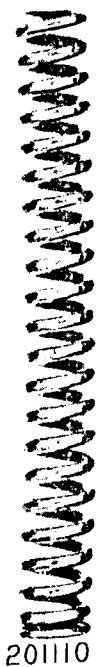
232265



250539

250222

250416



201084

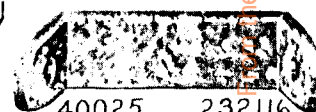


39541

201628

250224

232263



40025

232116

200004

157

202619

200110

1178

64

200352

250221

350073

807

200096

453

PLATE 13865—ONE-FOURTH SIZE

250402 250408 120346 232486 250412

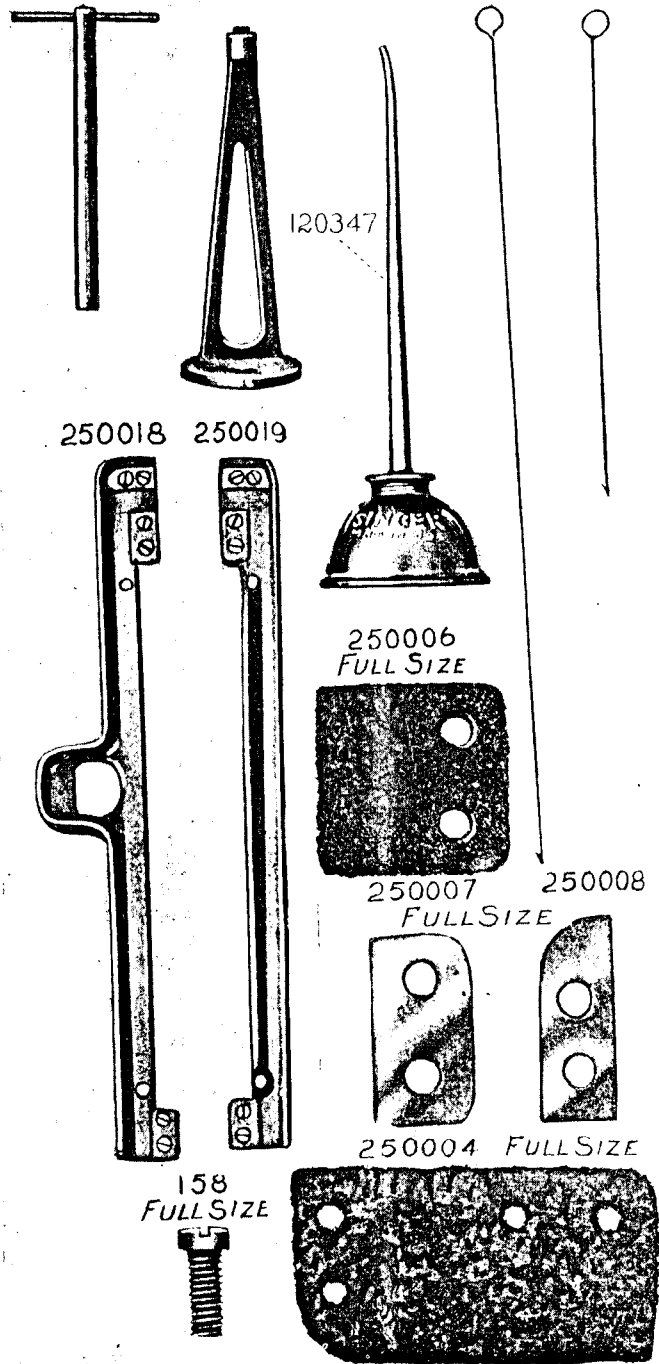


PLATE 13866—ONE-HALF SIZE

11831 225498 250522 232900

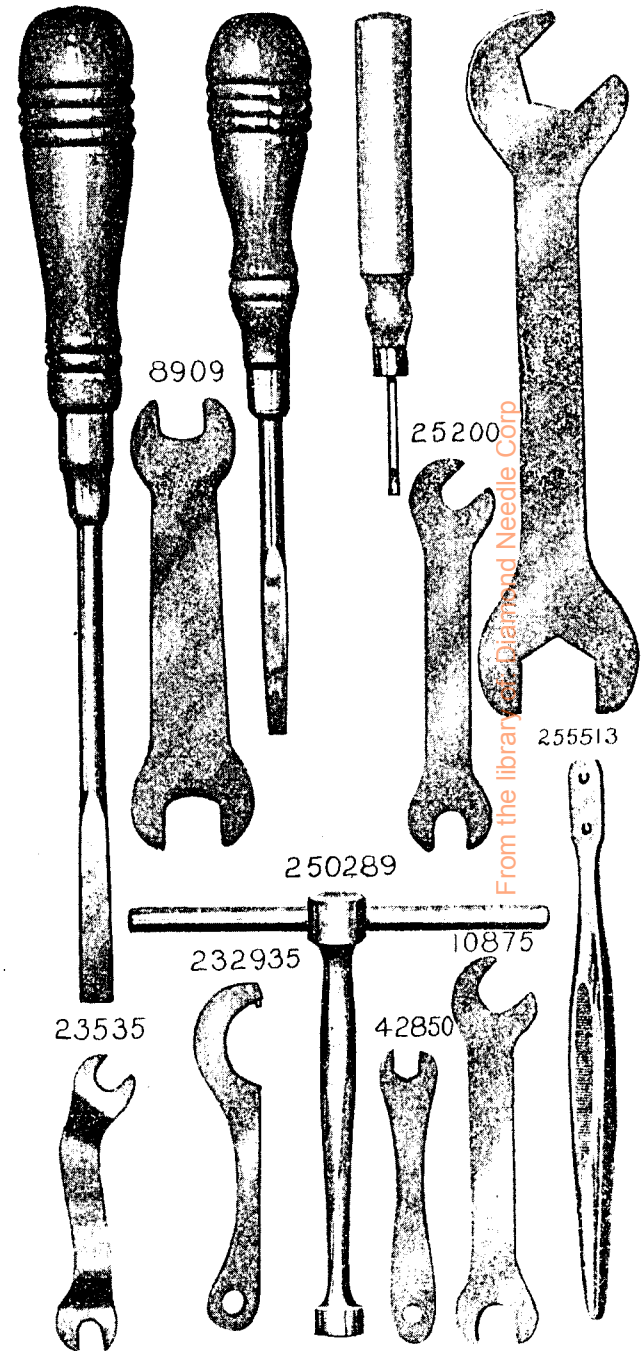


PLATE 13869—ONE-HALF SIZE

228584



228569



228593



228586



228595



228579



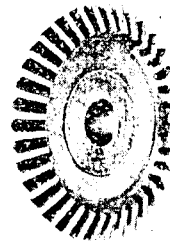
18897



228580



18898



228571

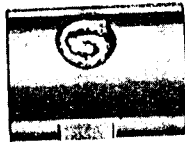
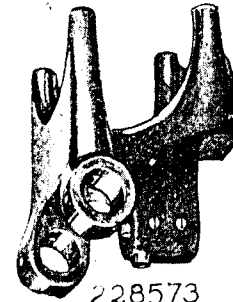
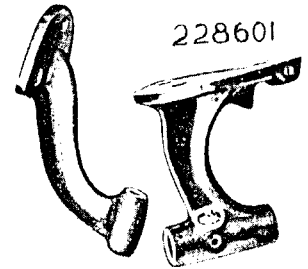


PLATE 13870—ONE-SIXTH SIZE

228574

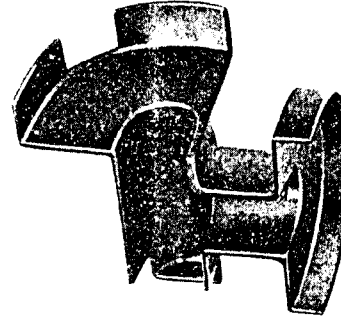


228583

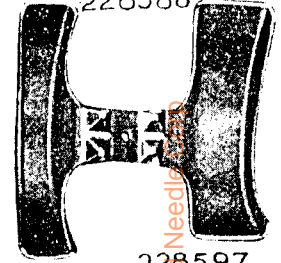


228601

228573

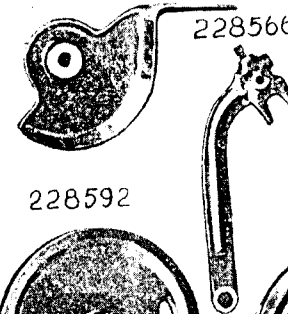


228588

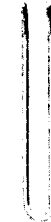


228597

228582



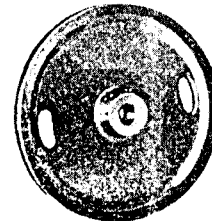
228565



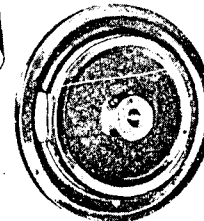
228566



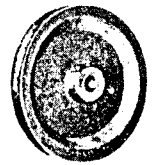
228592



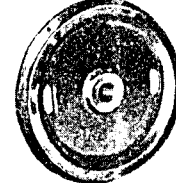
228568



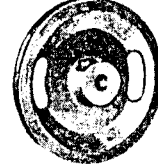
228581



228591



228572



228590

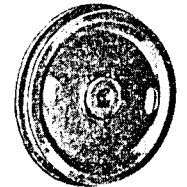


PLATE 13871—FULL SIZE

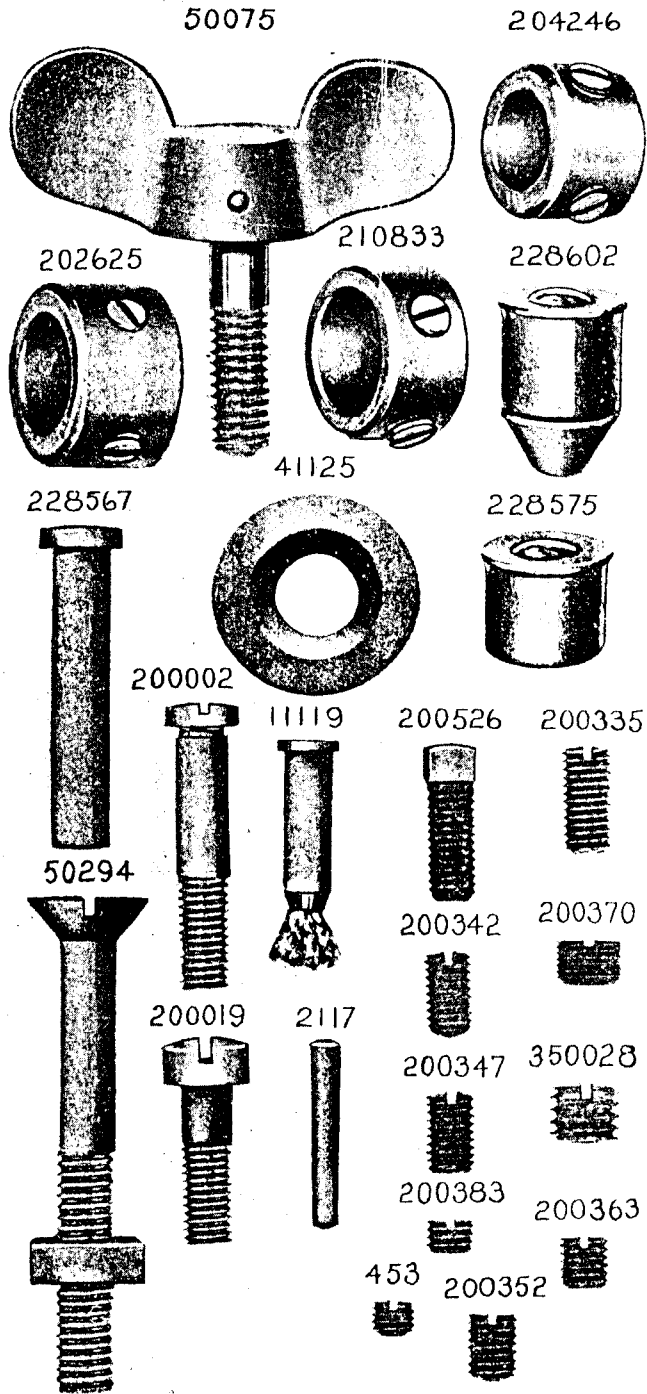


PLATE 13874—ONE-HALF SIZE

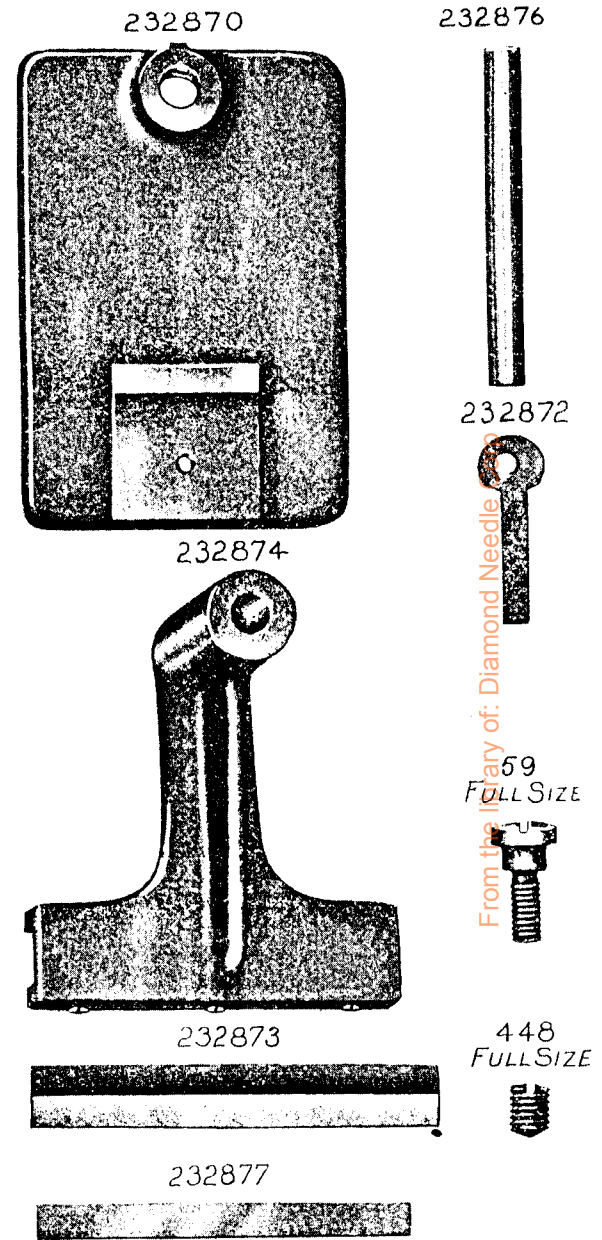


PLATE 13875—FULL SIZE

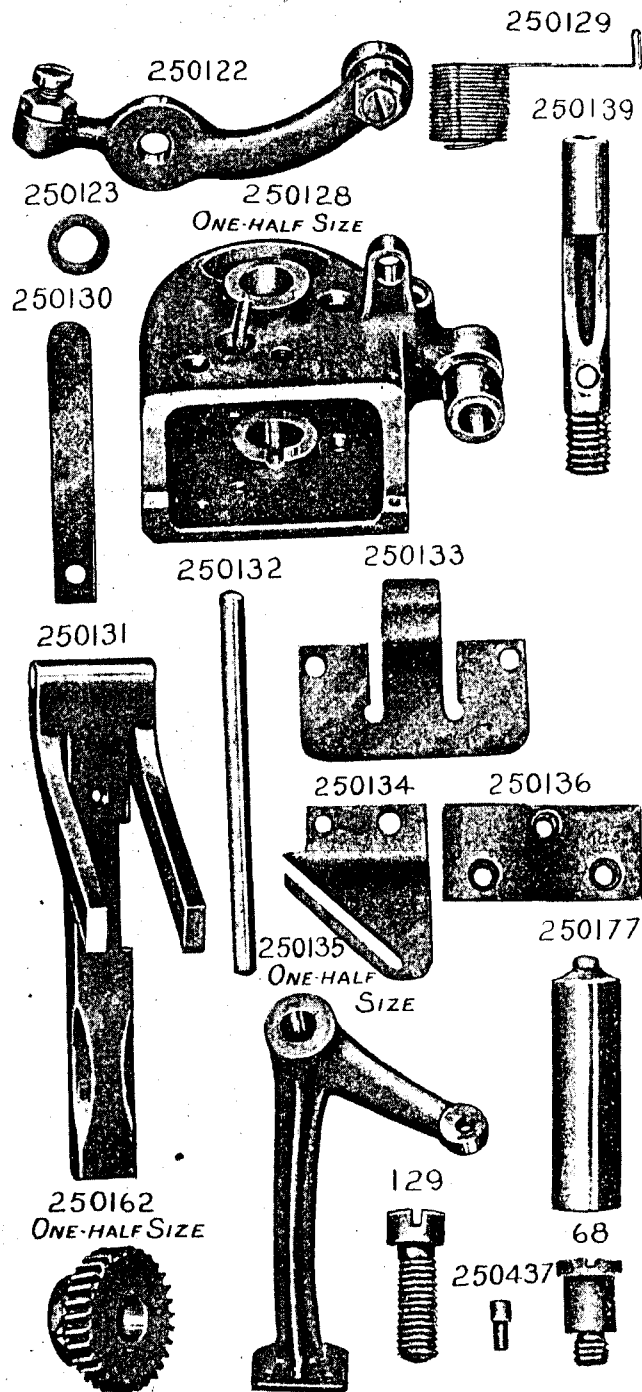


PLATE 13879—FULL SIZE

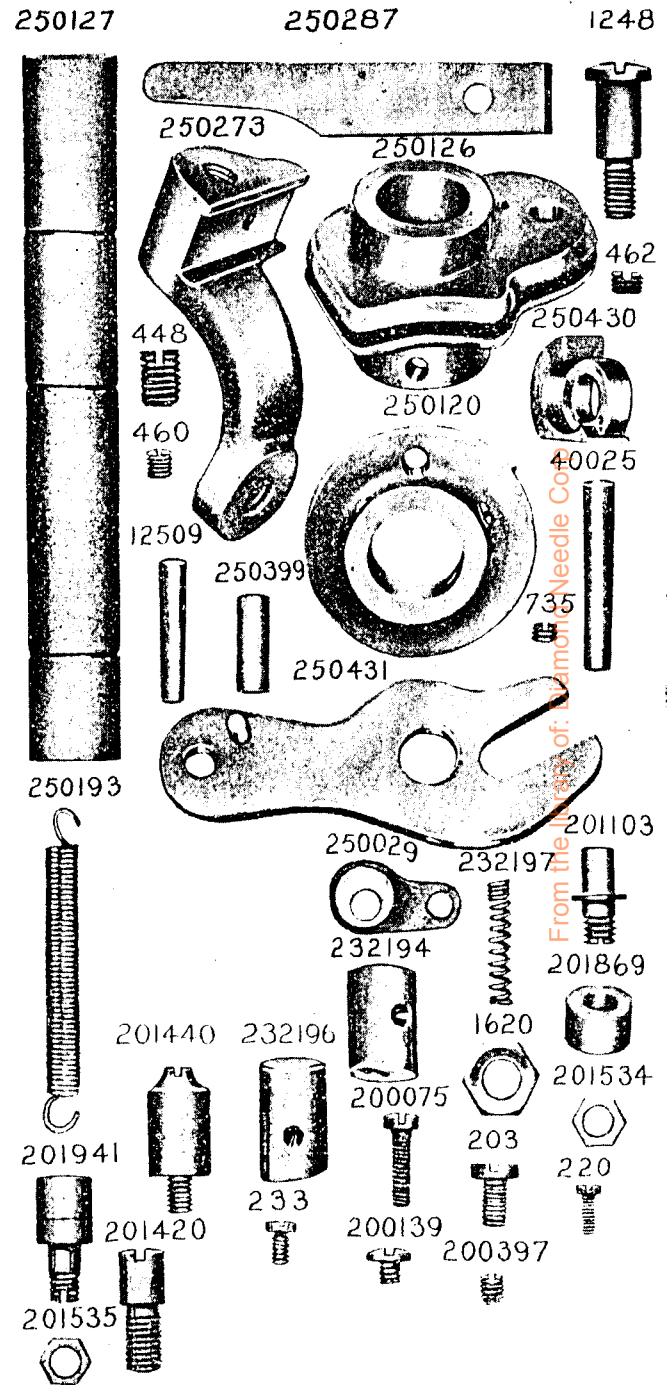


PLATE 13885—FULL SIZE

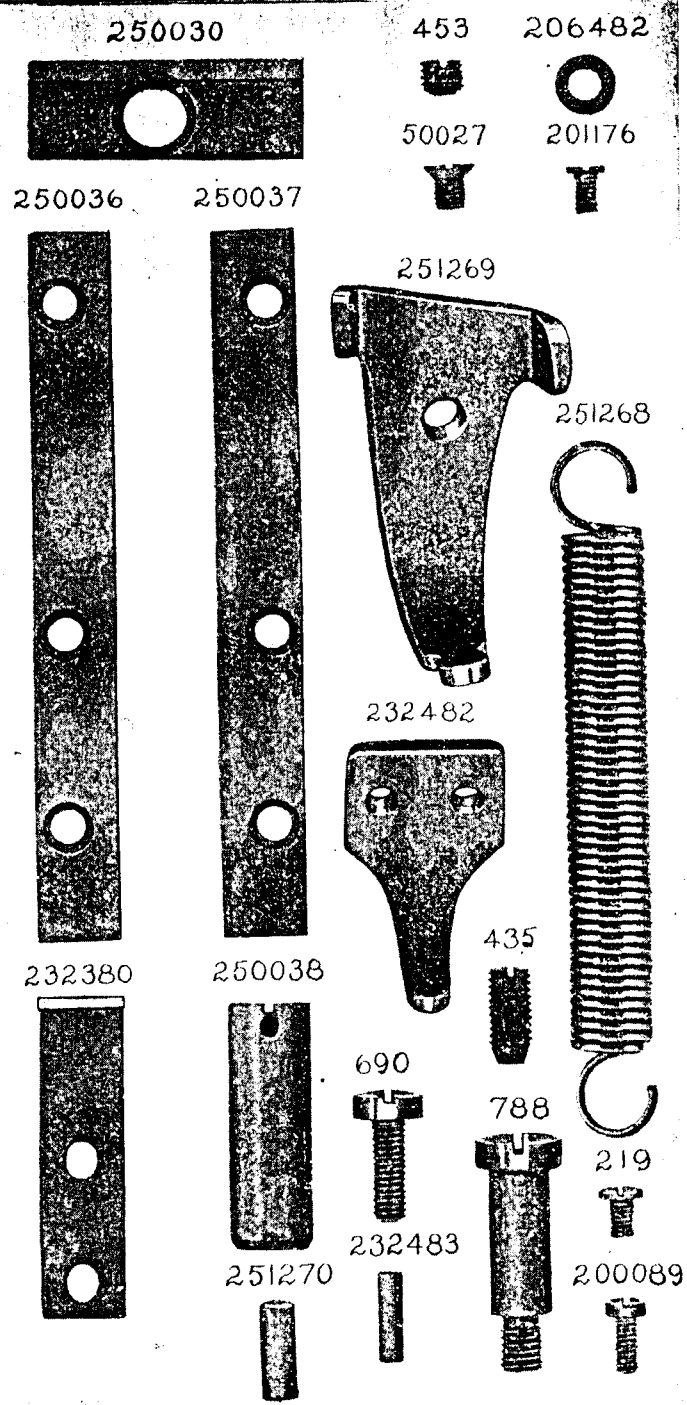


PLATE 13887—FULL SIZE

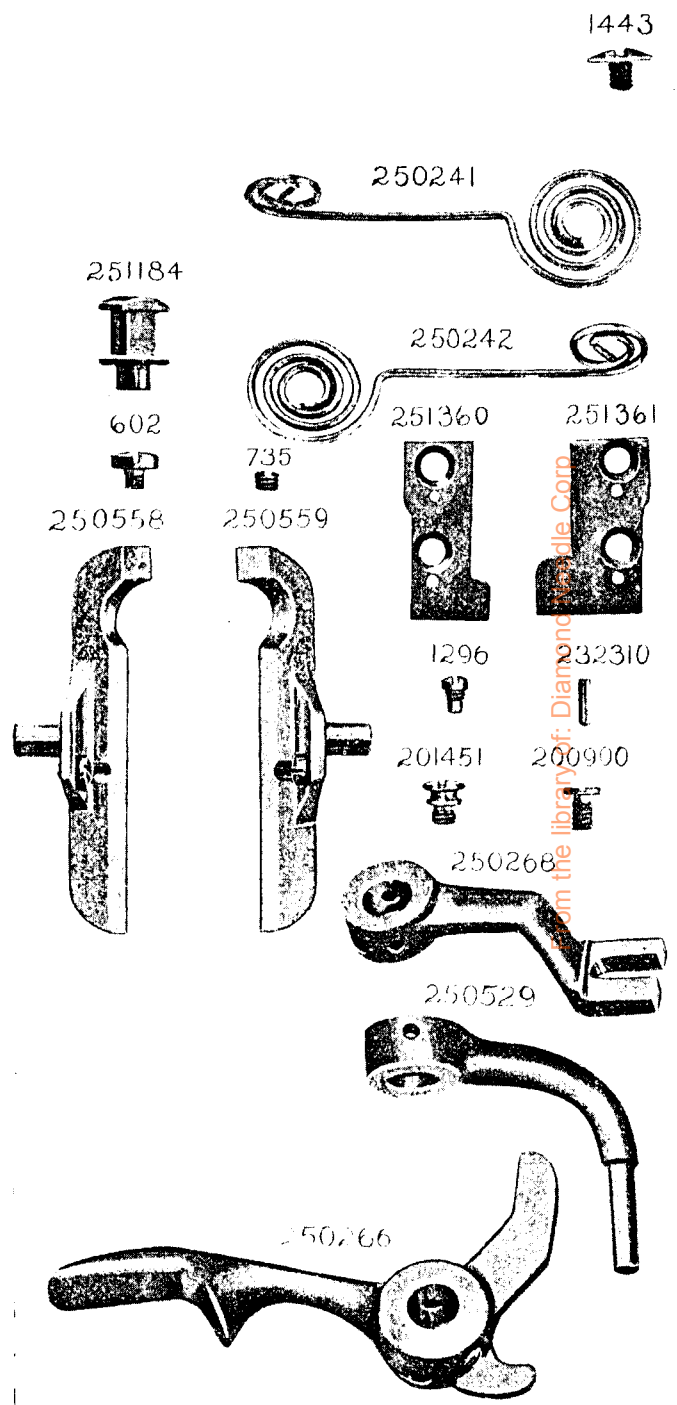


PLATE 13891—FULL SIZE

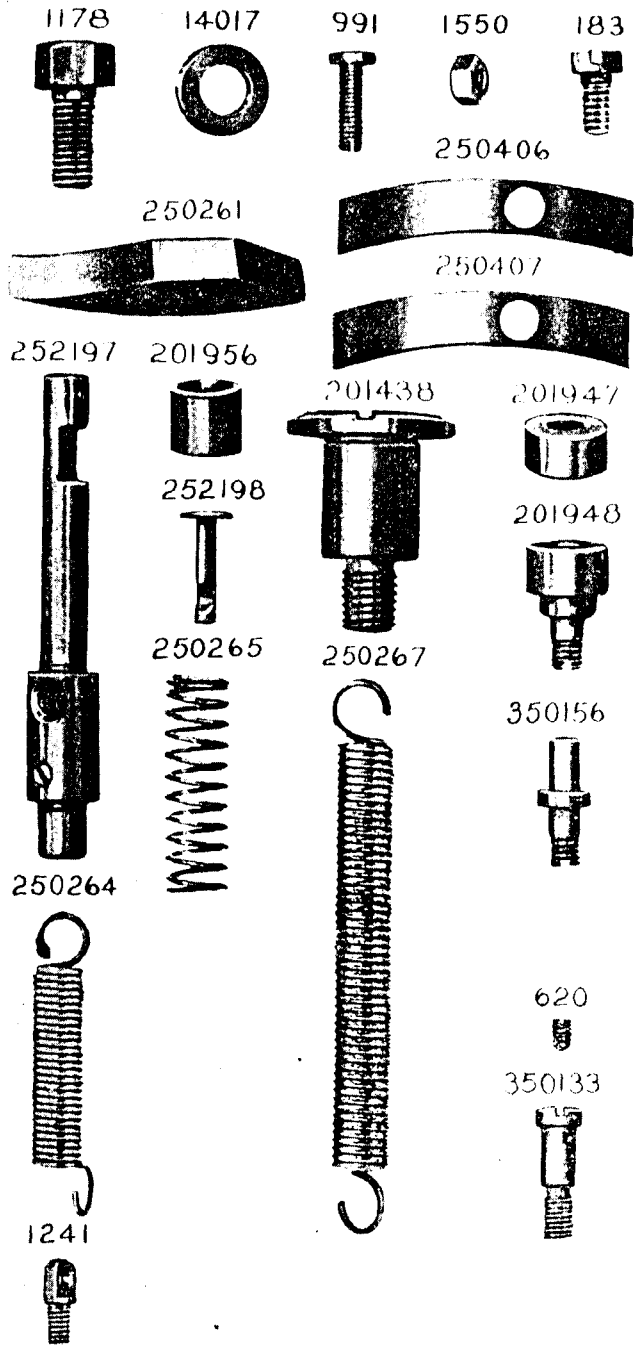
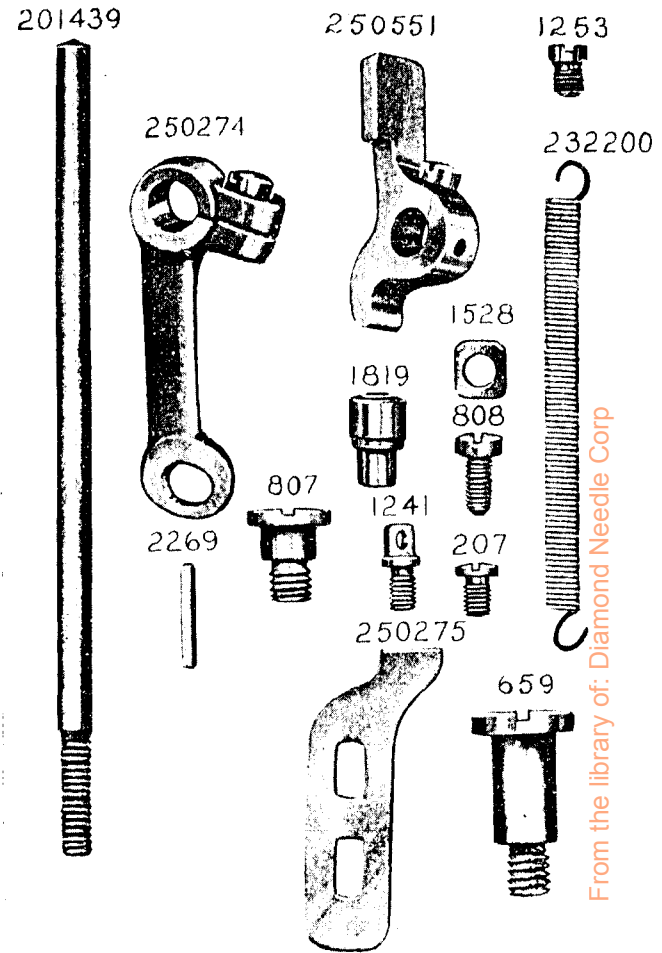


PLATE 13895—FULL SIZE



From the library of: Diamond Needle Corp

PLATE 13899—FULL SIZE

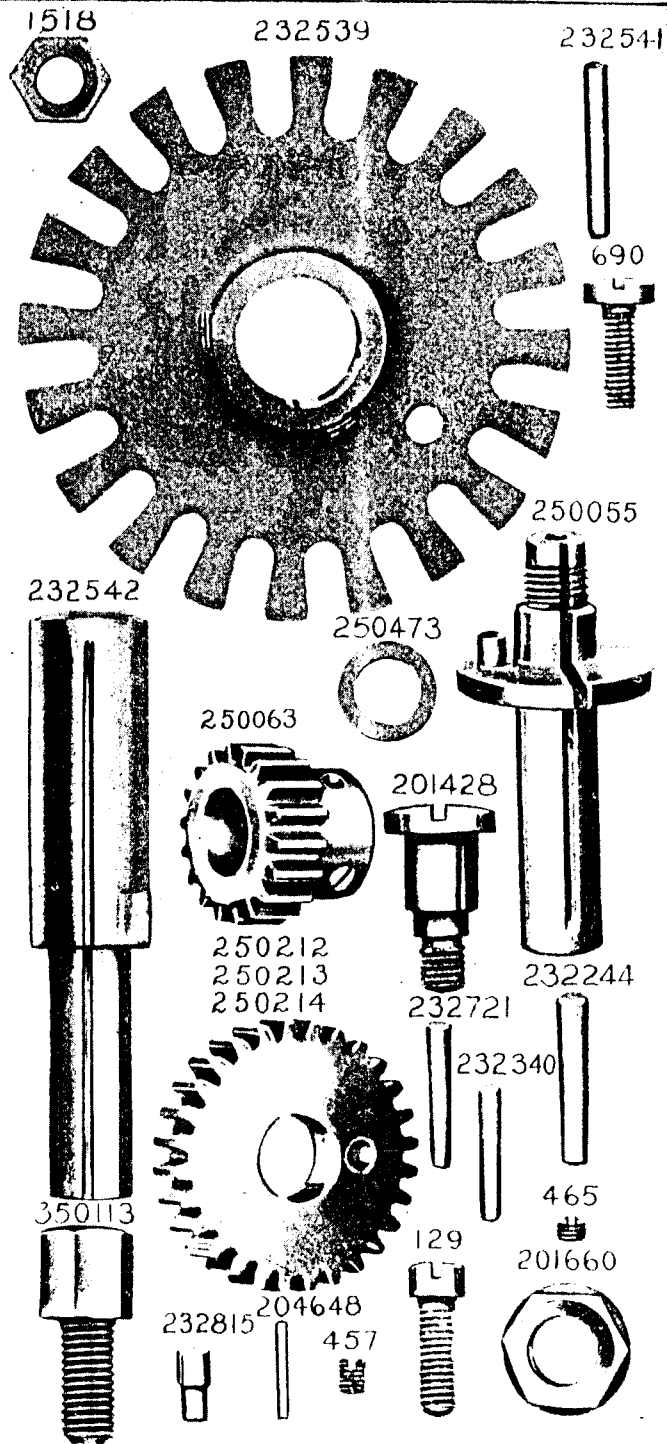


PLATE 13900—FULL SIZE

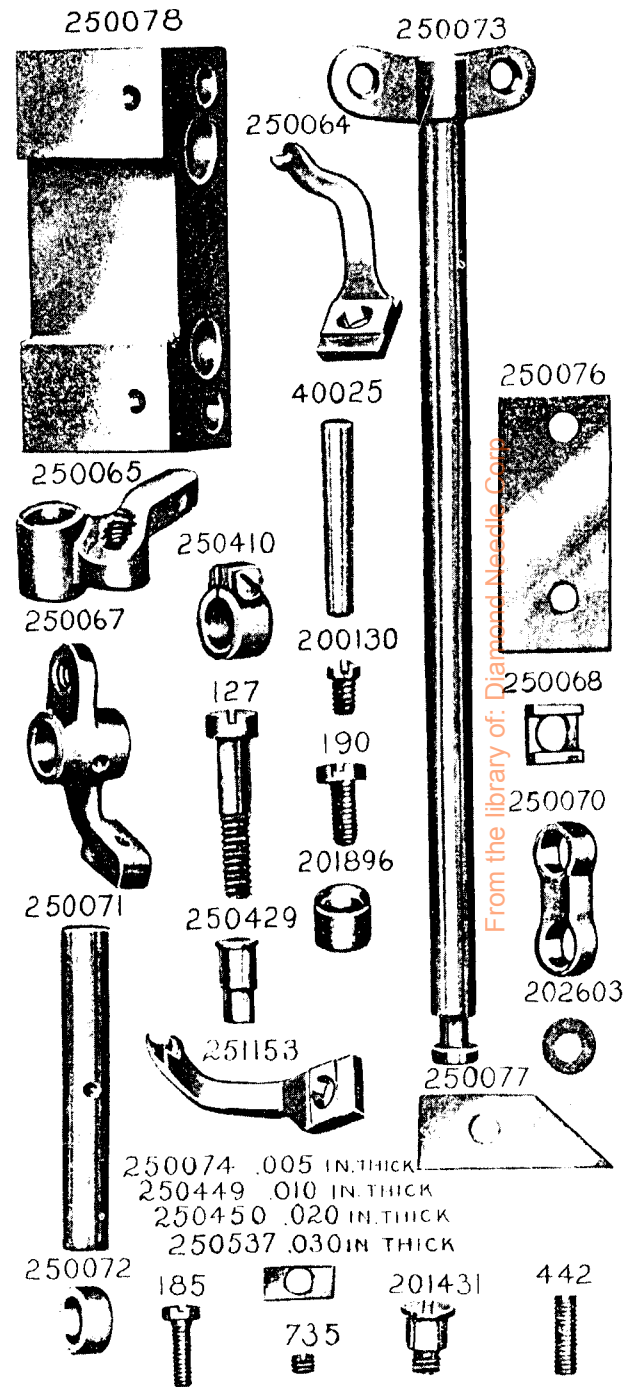


PLATE 13901—FULL SIZE

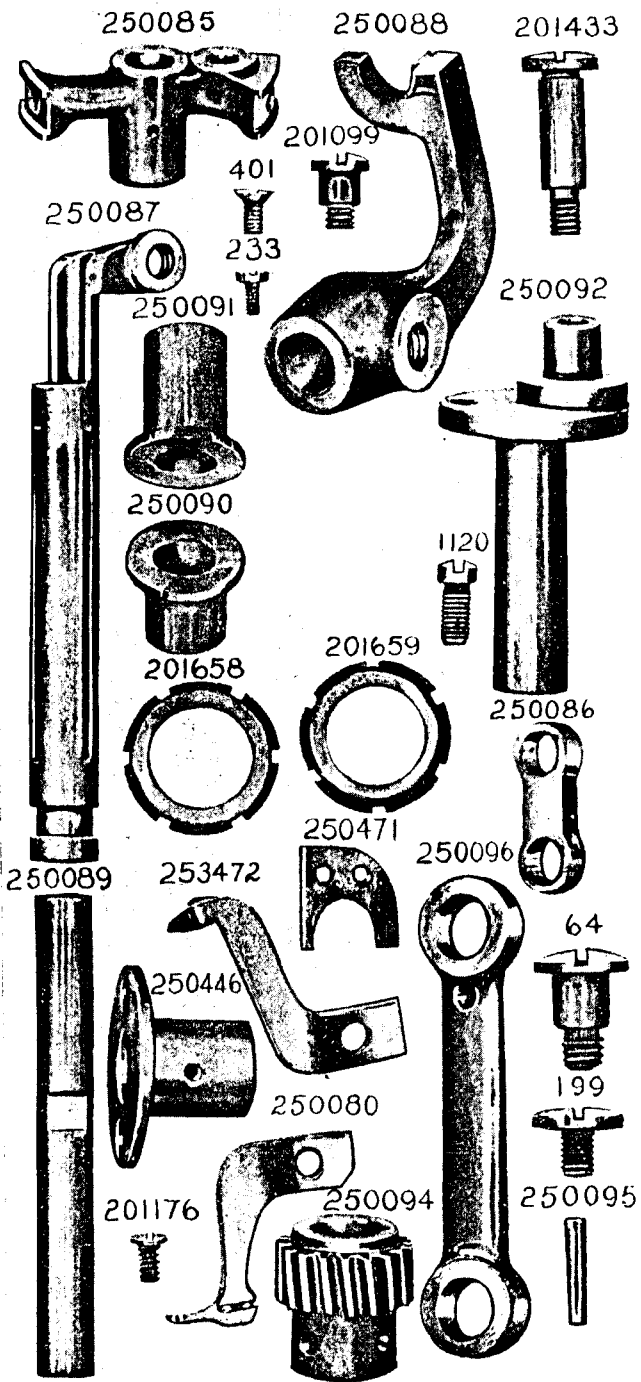


PLATE 13903—FULL SIZE

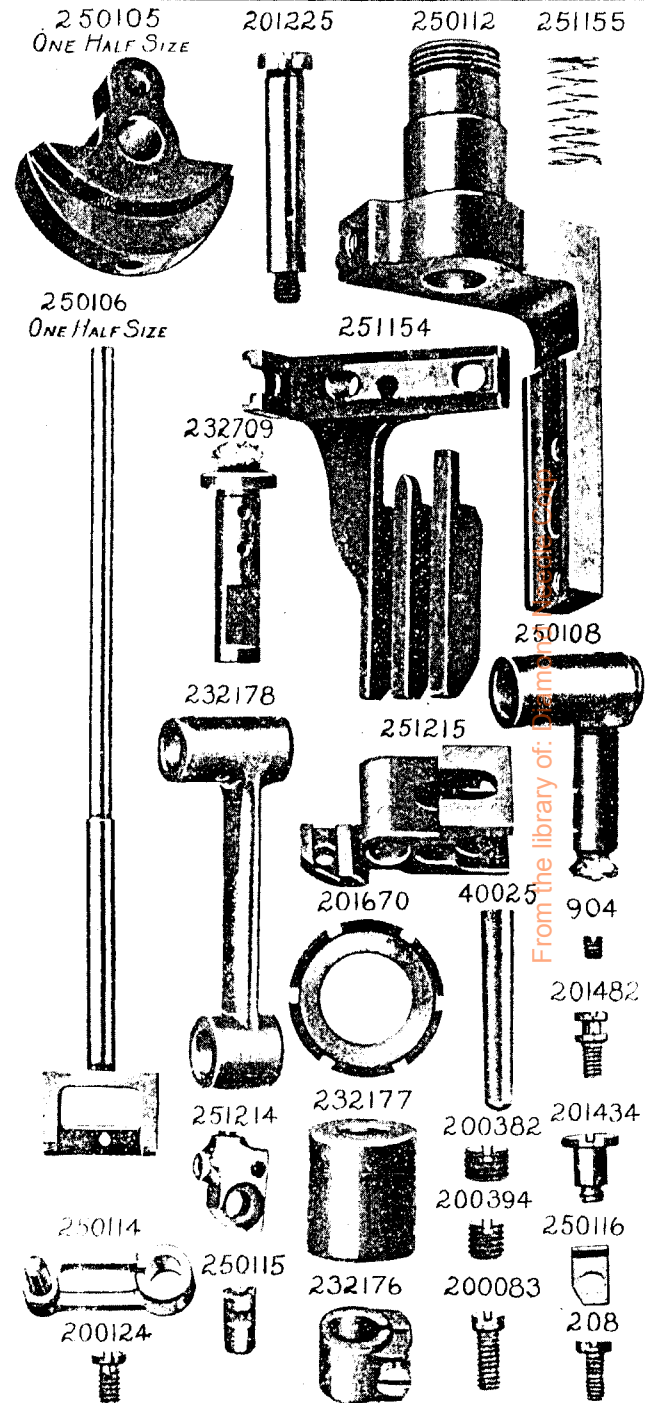


PLATE 13912—FULL SIZE

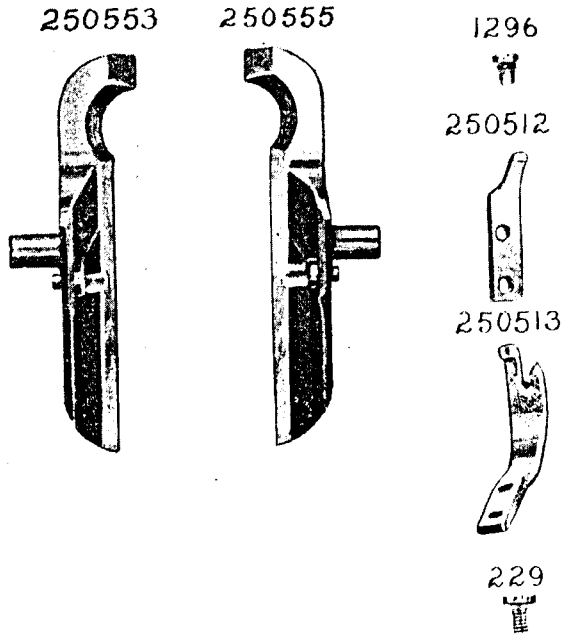
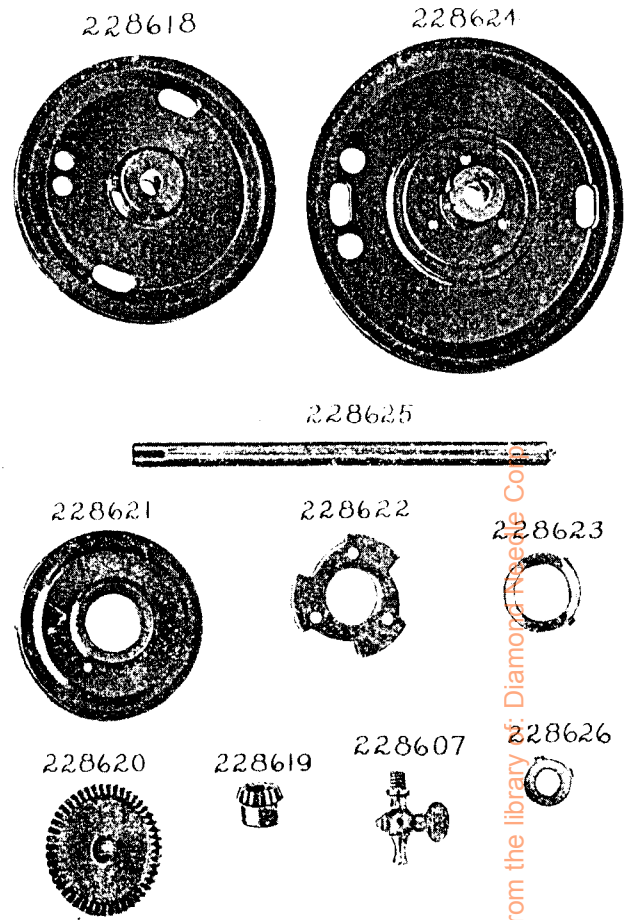


PLATE 13926—ONE-FOURTH SIZE



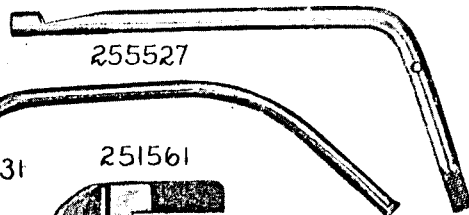
From the library of Diamond Pipe & Co.

PLATE 13932—ONE-HALF SIZE

253535

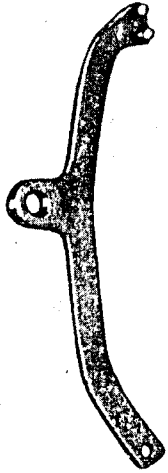


232792

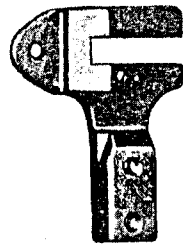


255527

253531



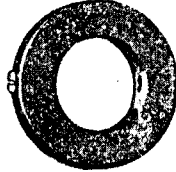
251561



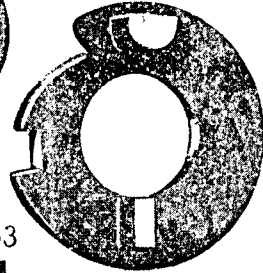
255521



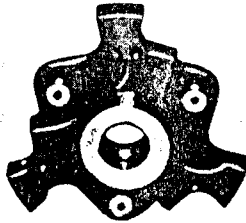
251025



251024



255095



253533



253534



252083

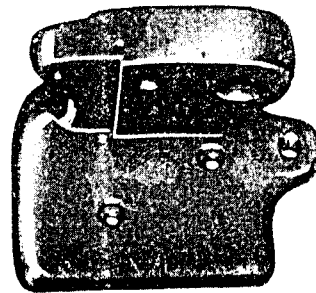


PLATE 13933—ONE-FOURTH SIZE

228632



251500



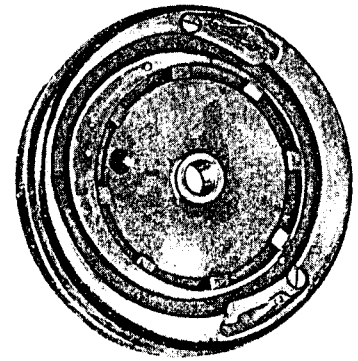
255009



251026



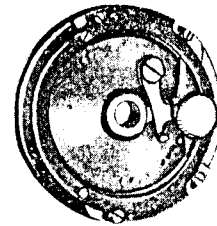
255020



255010



251552



253532

From the library of: Diamond Needle Co.



PLATE 13934—FULL SIZE

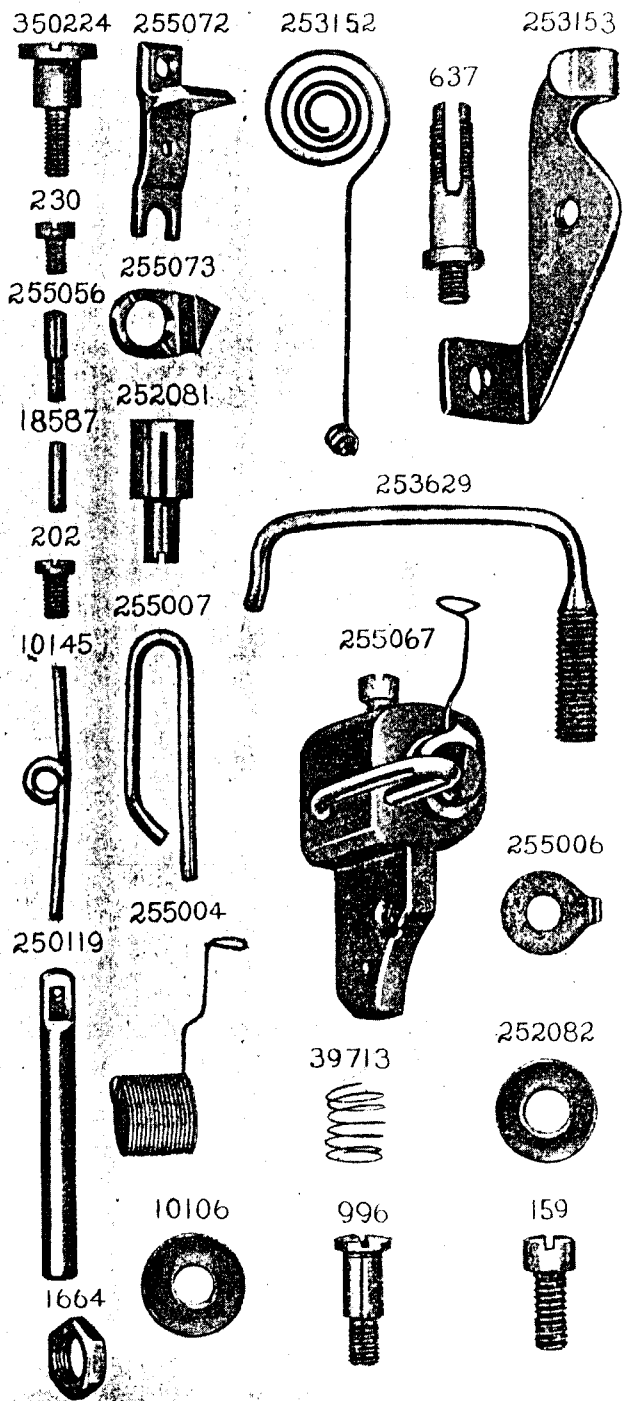


PLATE 13935—ONE-HALF SIZE

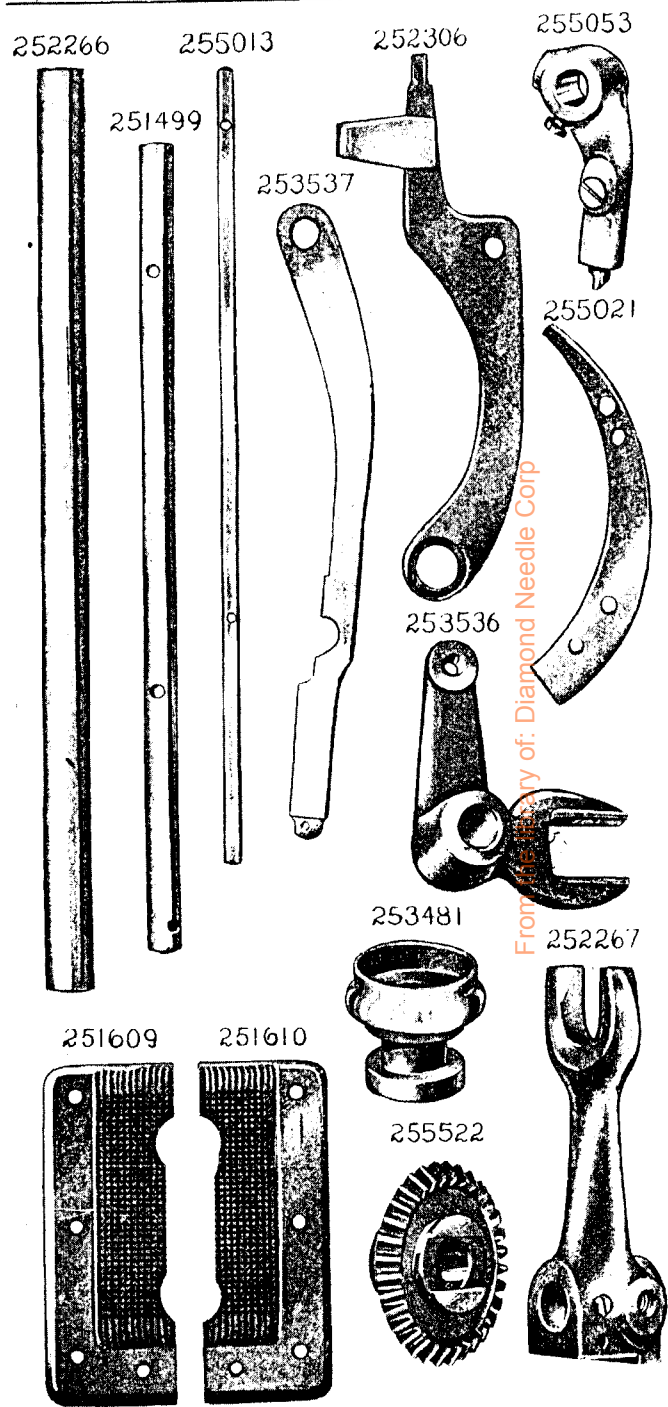


PLATE 13936—FULL SIZE

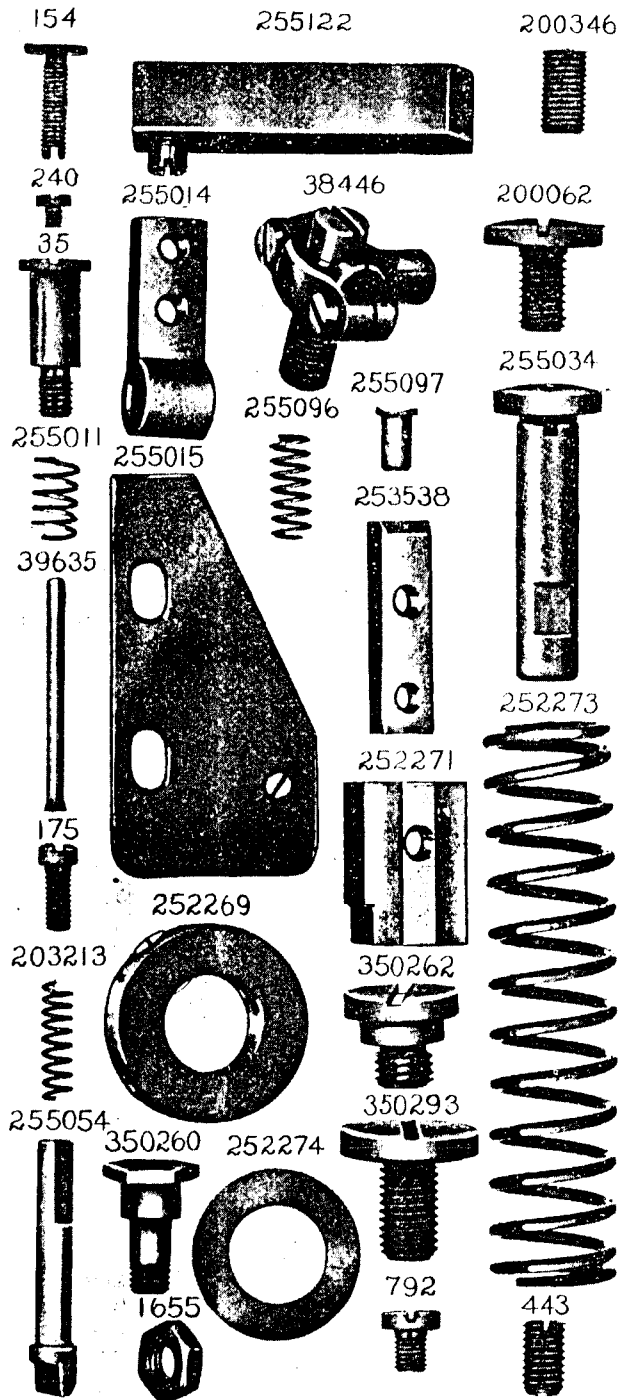


PLATE 13937—FULL SIZE

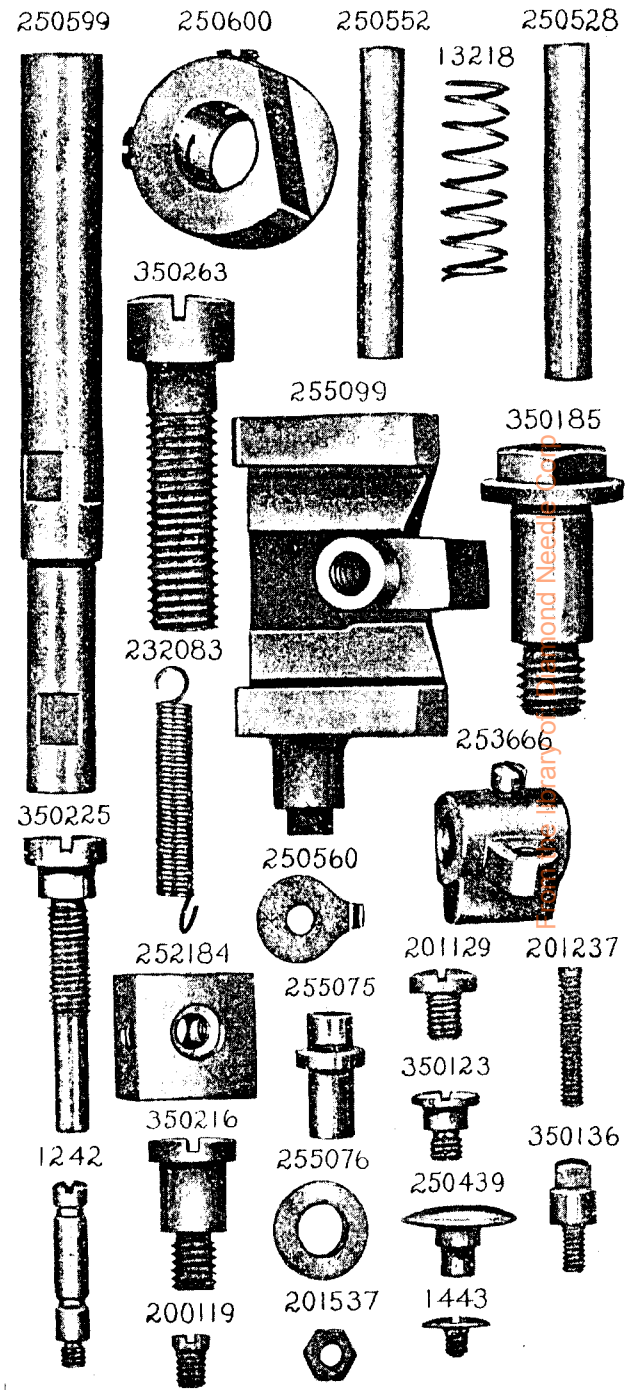


PLATE 13938—FULL SIZE

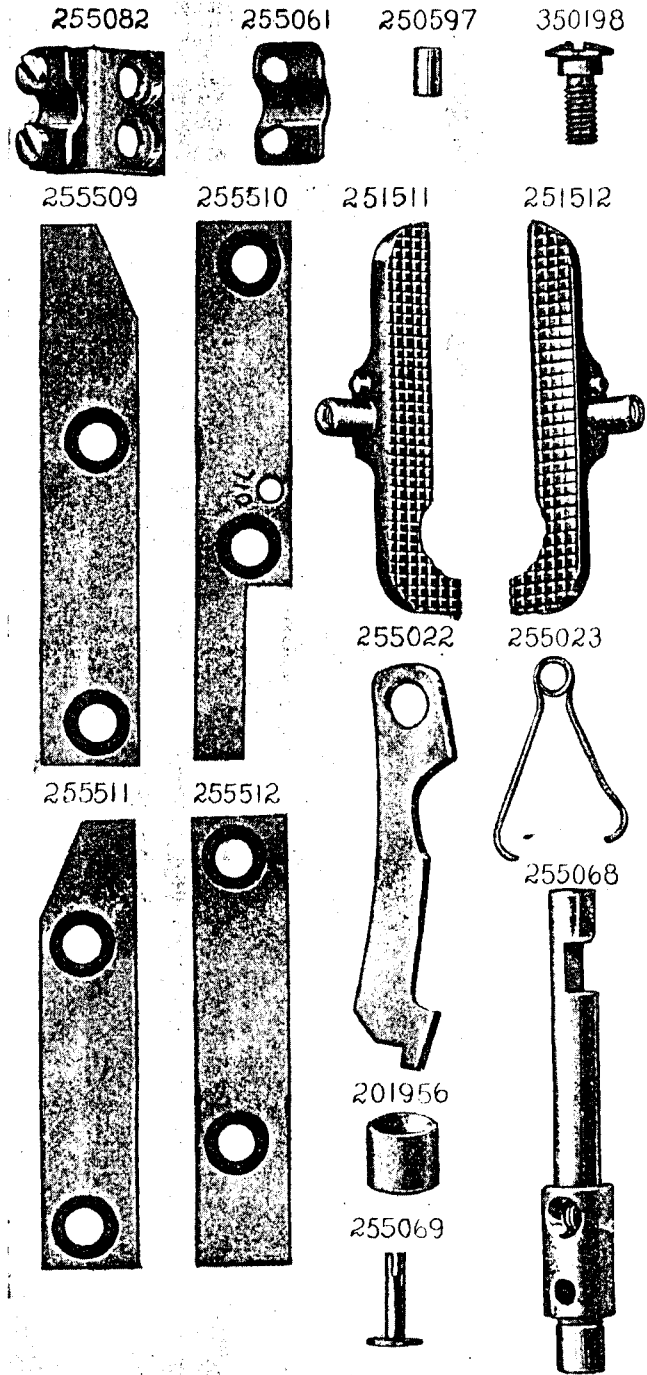
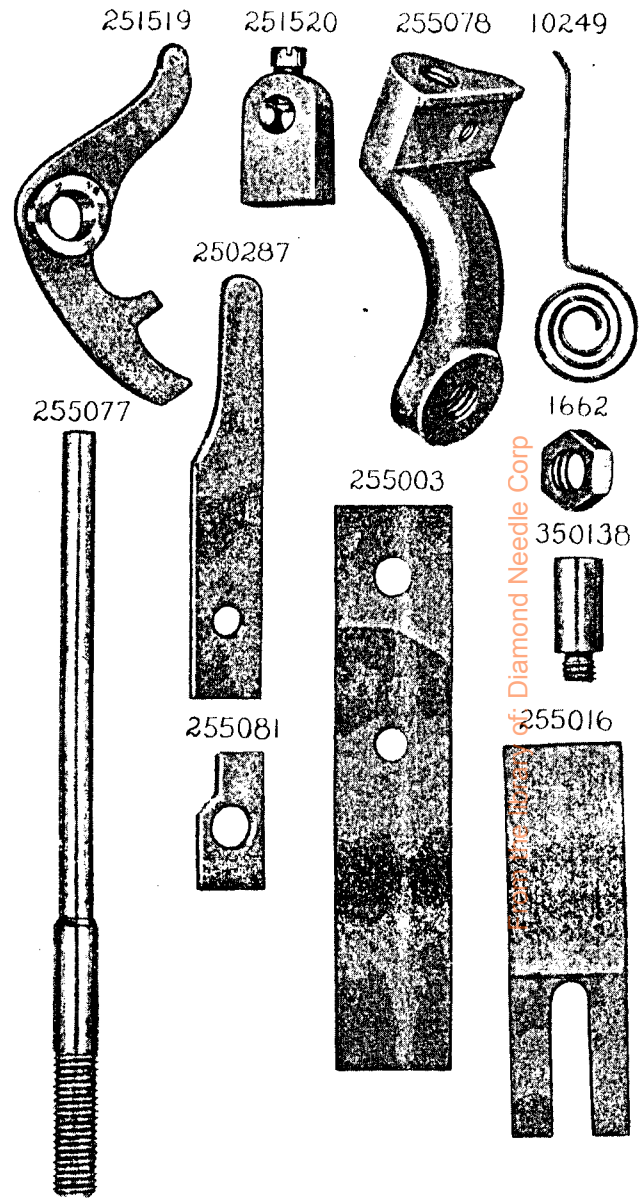


PLATE 13939—FULL SIZE



of Diamond Needle Corp

PLATE 13940—ONE-HALF SIZE

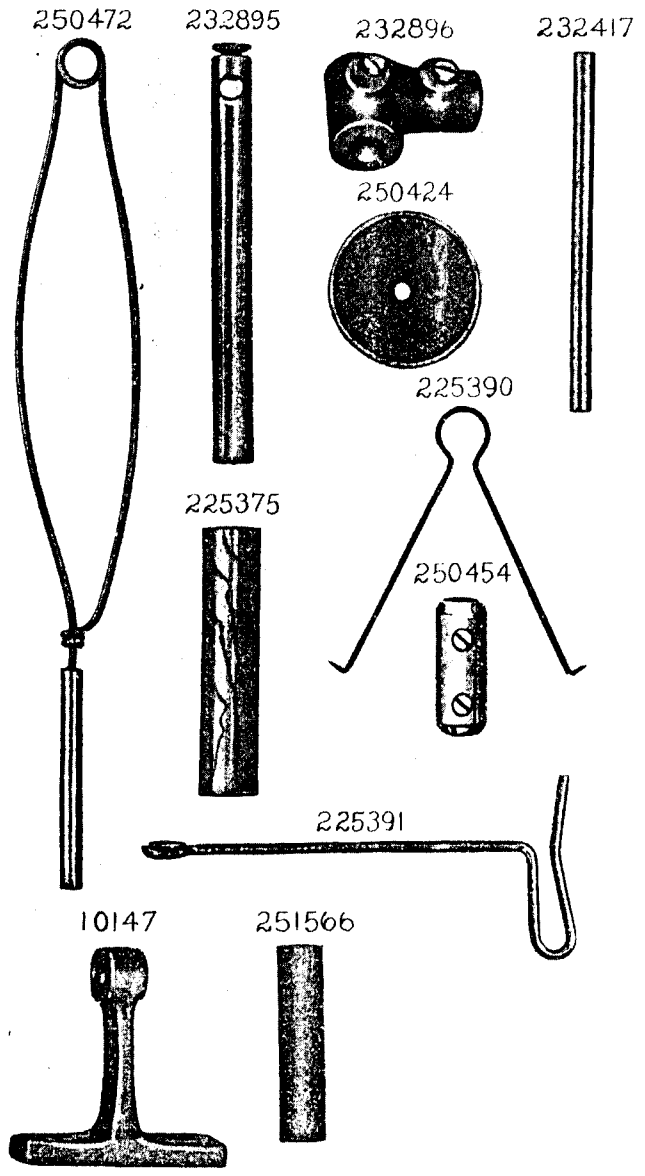
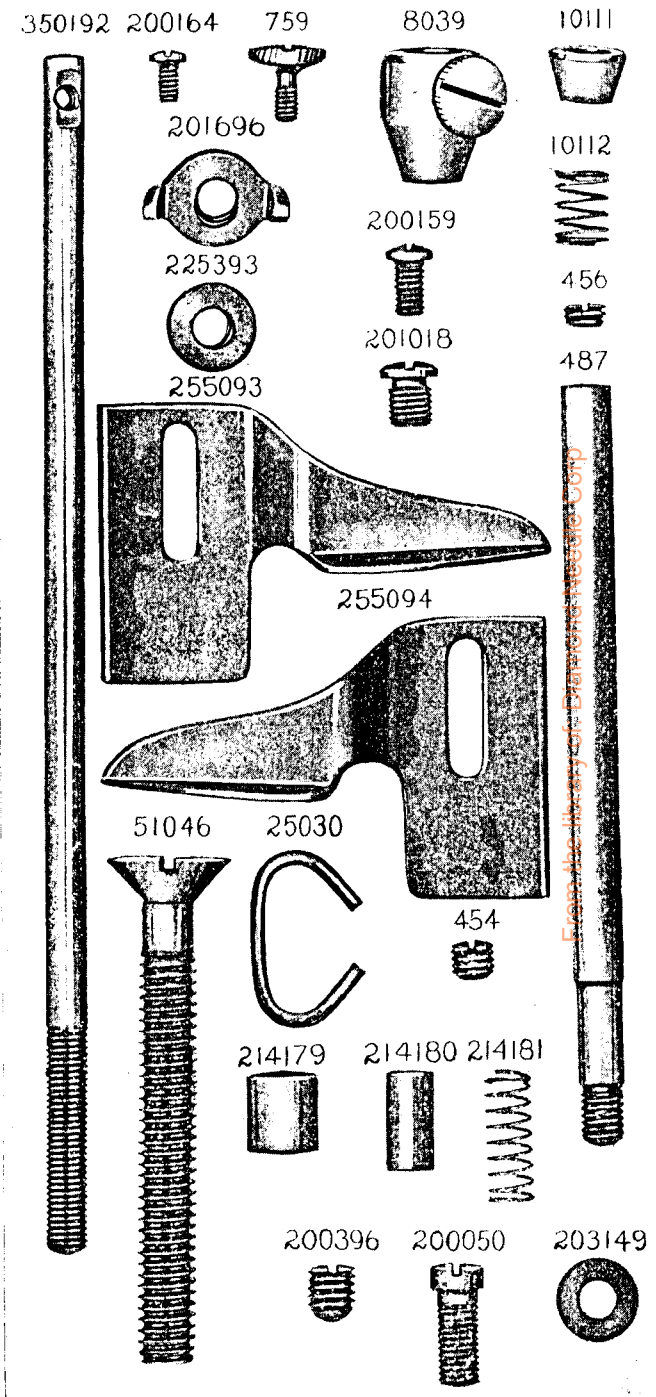


PLATE 13941—FULL SIZE



Library of Congress

PLATE 13942—FULL SIZE

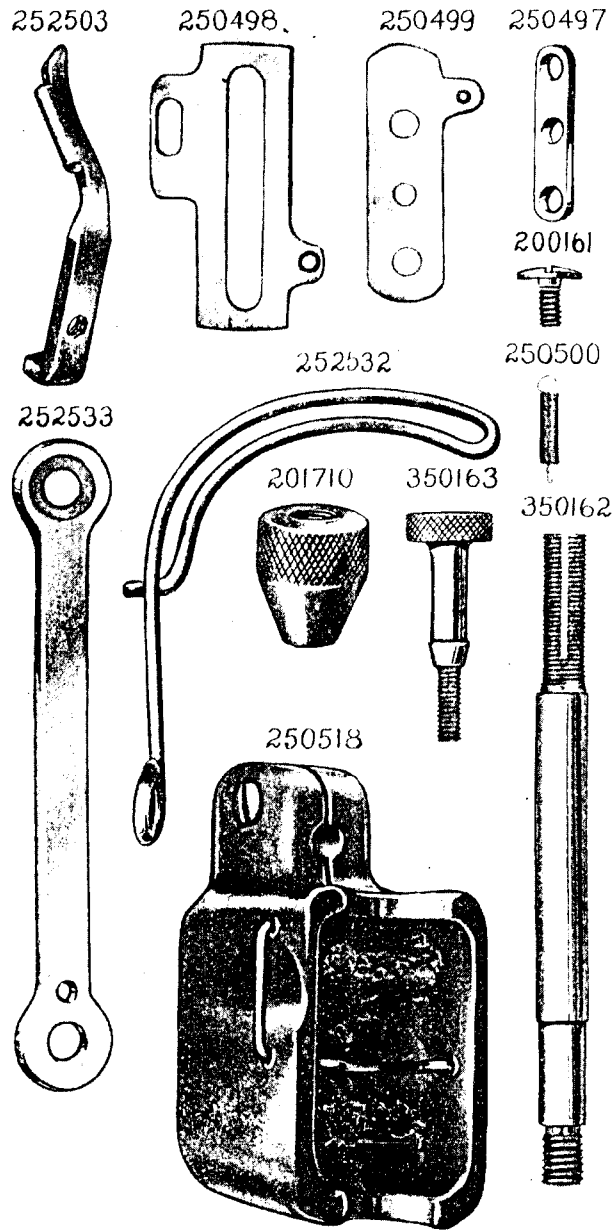
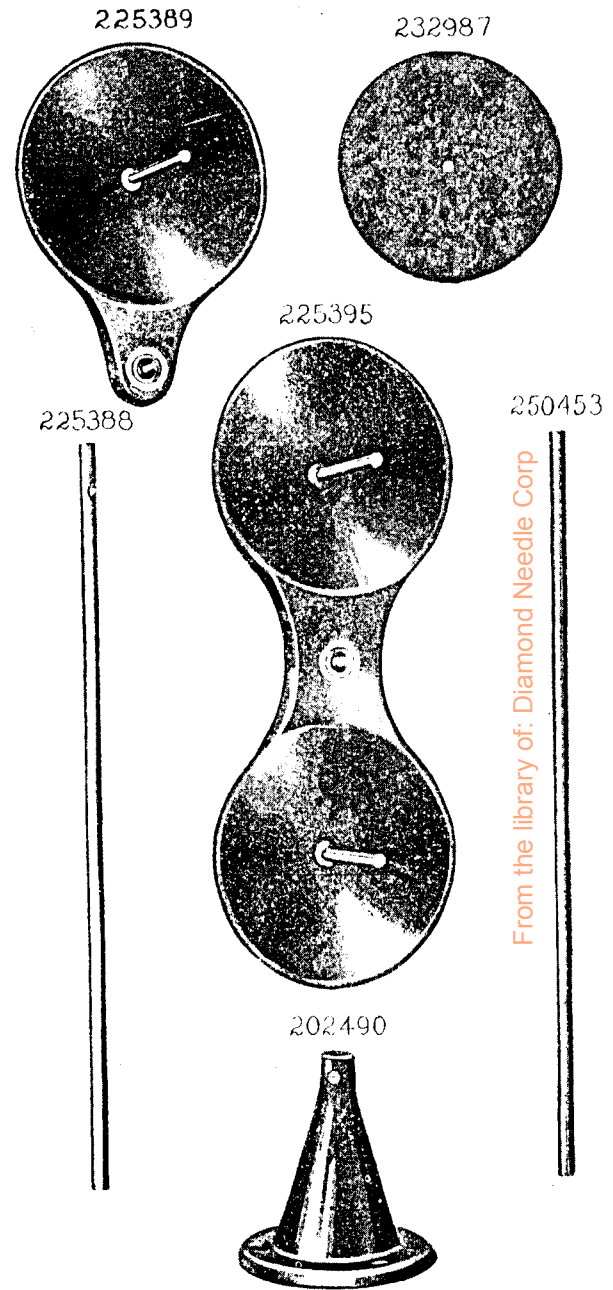


PLATE 13944—ONE-FOURTH SIZE



From the library of: Diamond Needle Corp

PLATE 13946—FULL SIZE

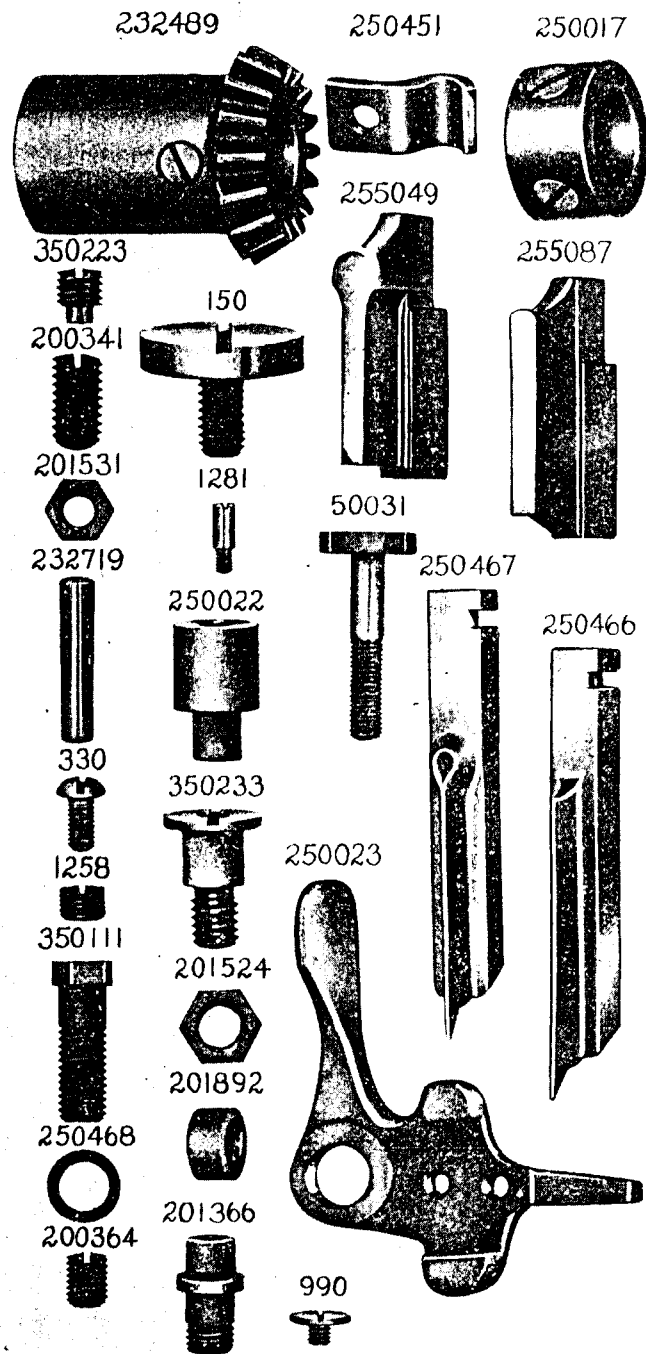


PLATE 13947—FULL SIZE

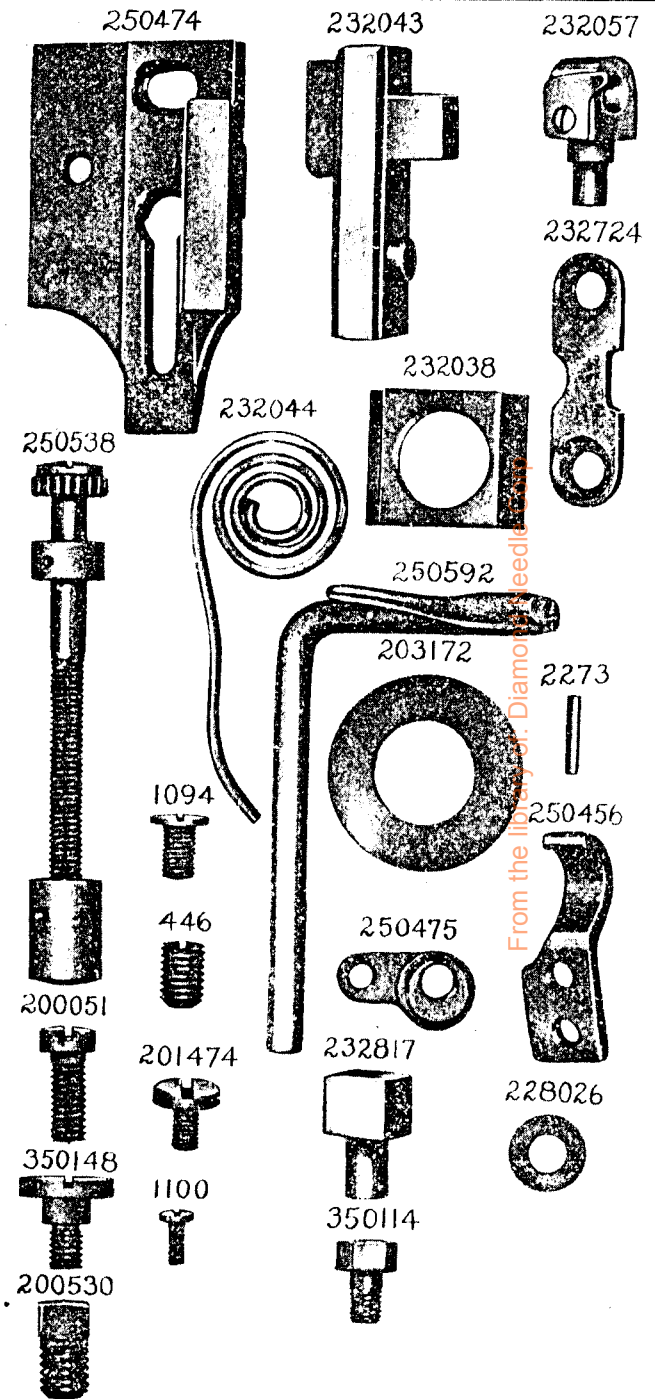


PLATE 13948—ONE-FOURTH SIZE

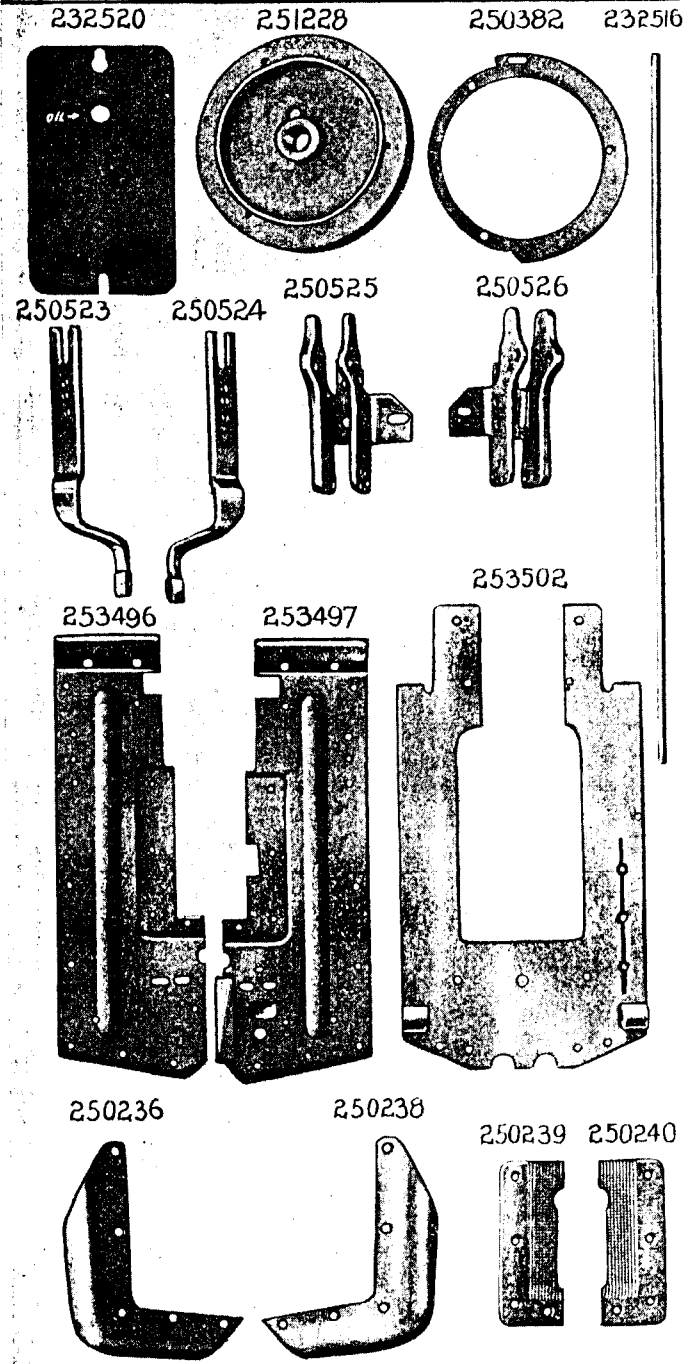


PLATE 13949—FULL SIZE

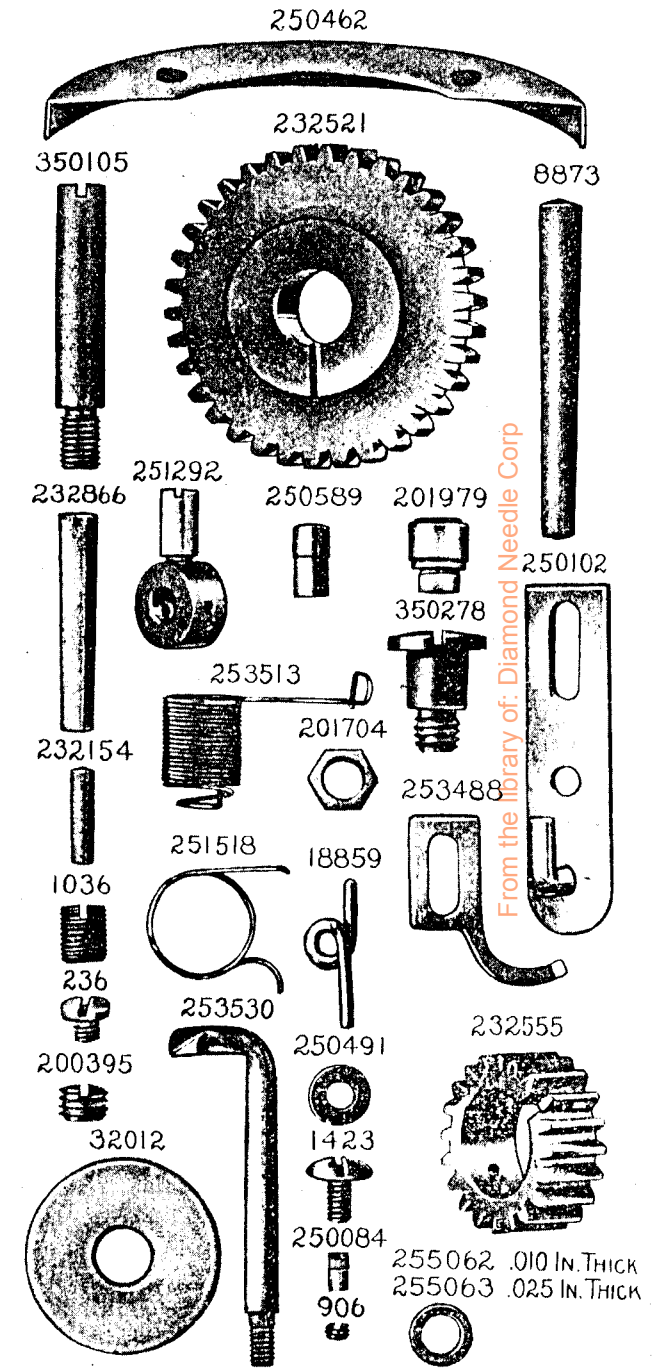


PLATE 13950—ONE-HALF SIZE

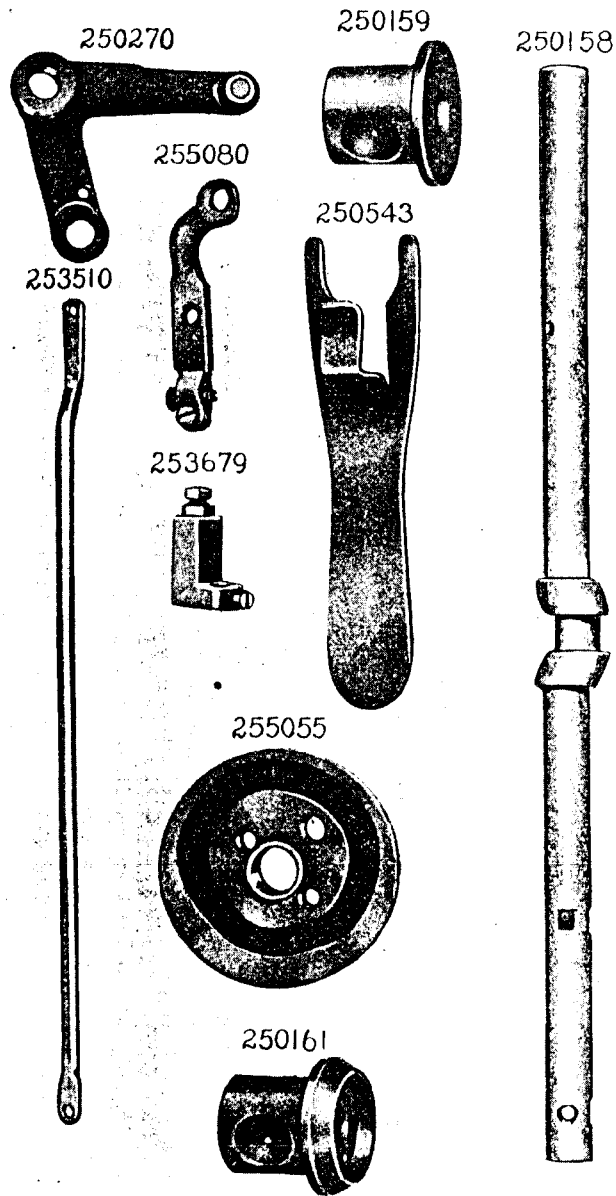
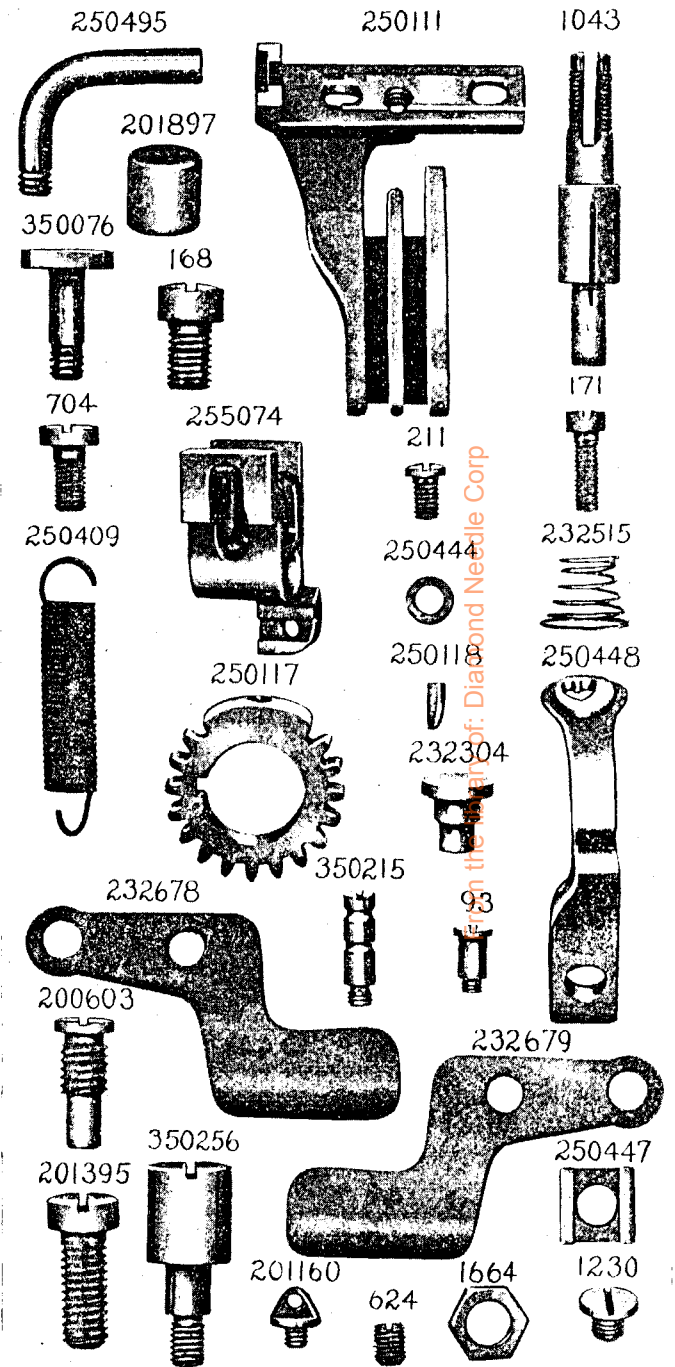


PLATE 13951—FULL SIZE



On the Material of Diamond Needle Corp

PLATE 13952—FULL SIZE

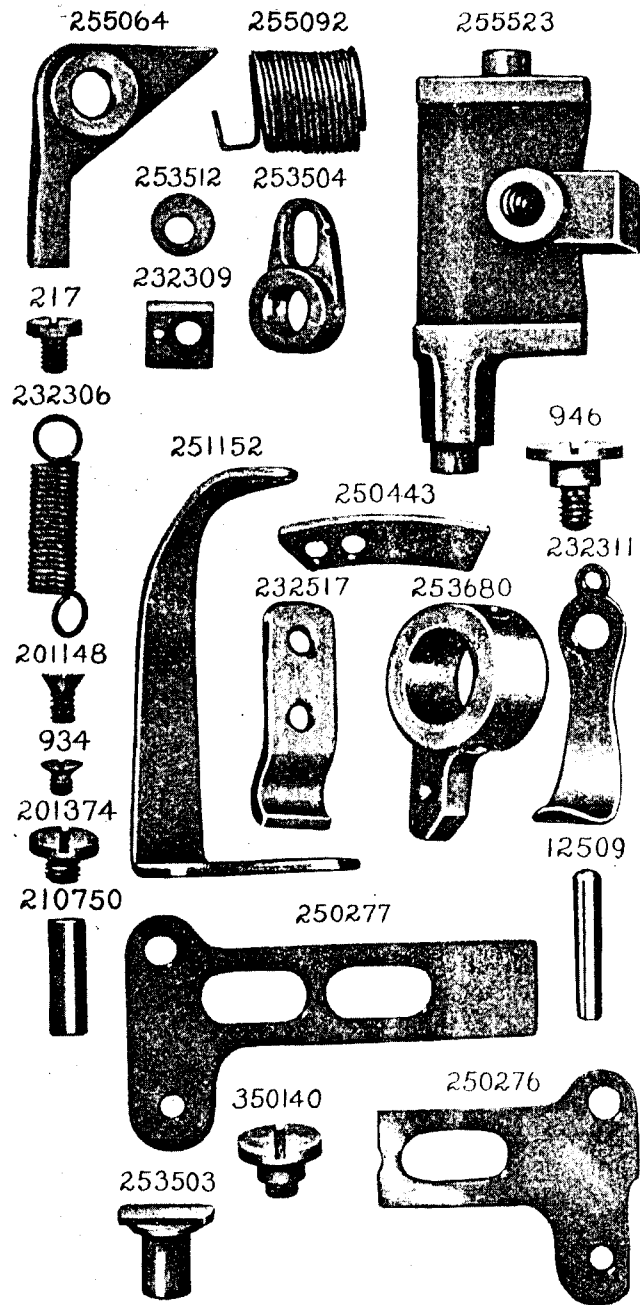
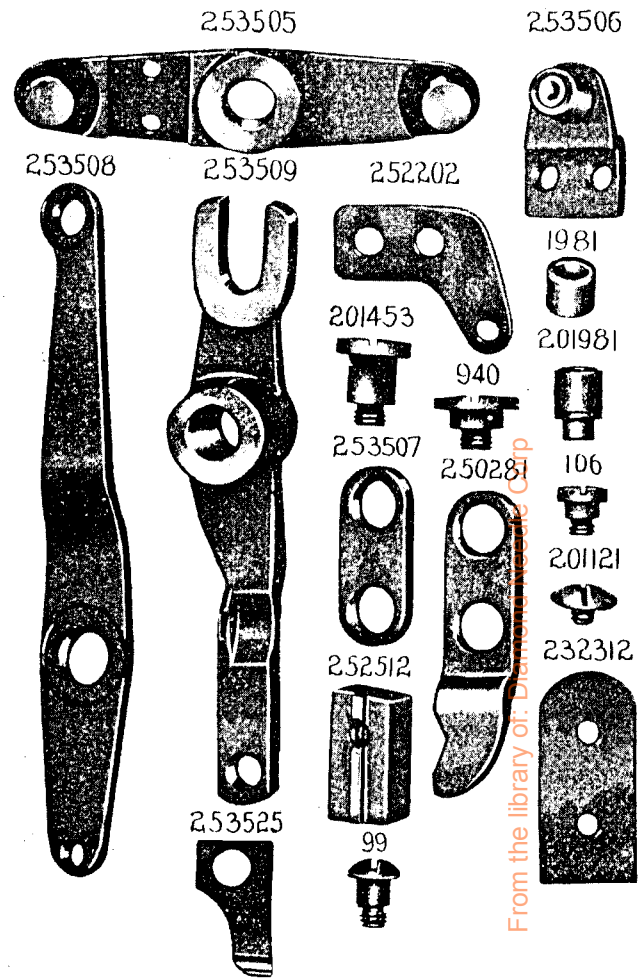


PLATE 13953—FULL SIZE



From the library of: Diamond Equipment Corp

PLATE 13954—ONE-FOURTH SIZE

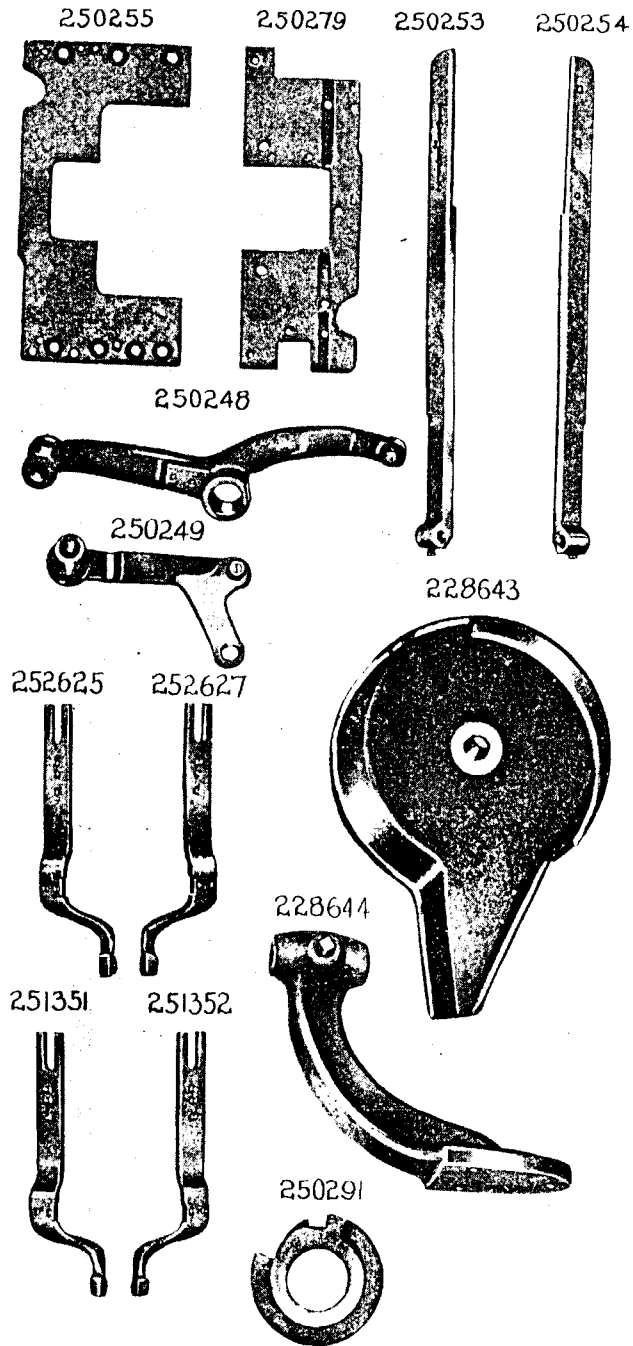
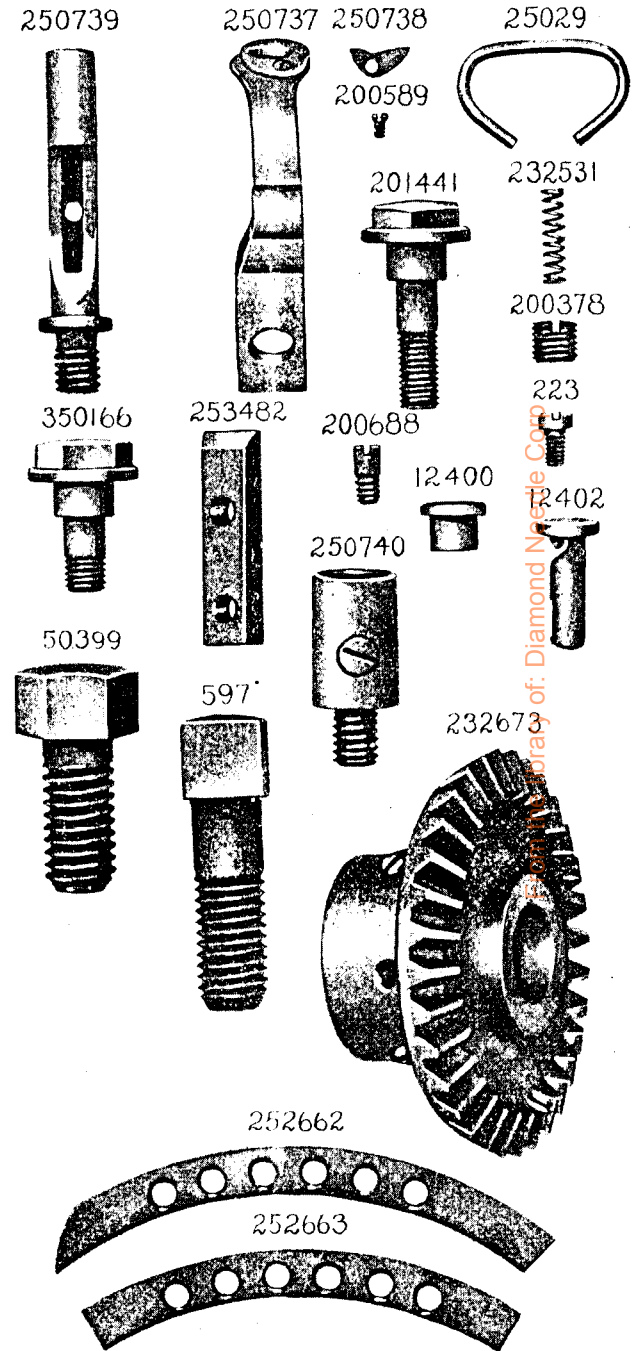


PLATE 13955—FULL SIZE



Library of: Diamond Needle Corp.